

REVISION	DATE	BY	DATE	BY
			16/04/27	RM

Confidential - Property of Siemens Industry, Inc.	
CUSTOMER	
ORDER NO.	DWG. NO.
	3F3Y015BESCLN3SSN4X SH 1 OF 2

SIEMENS

CATALOG NO. 3F3Y015BESCLN3SSN4X

SERIAL NO. SERIES H

15 kVA 60 Hz 3 PHASE

3 % IMP AT 100 °C

80 °C RISE 30 °C AVG. AMBIENT

200 °C TEMP CLASS 40 °C MAX. AMBIENT

PRIMARY (H1 H2 H3) 480 V

SECONDARY(X0 X1 X2 X3) 208Y/120 V

WINDING MATERIAL CU

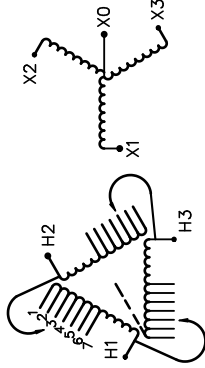
ENCLOSURE TYPE 4X

WEIGHT 375 LBS

SPACINGS BETWEEN ANY ENCLOSURE PANEL AND ANY ADJACENT WALL SHALL BE A MINIMUM OF 3 INCHES ELECTROSTATIC SHIELD SOUND LEVEL IS 3 DB LOWER THAN NEMA ST20 REQUIREMENTS

SUITABLE FOR INDOOR OR OUTDOOR LOCATIONS BEFORE HANDLING, INSTALLING AND OPERATING, SEE INSTRUCTION MANUAL

NEMA Class ANC Dry Type Transformer Siemens Industry, Inc. Norcross, GA



VOLTS	CONNECT
504	1
492	2
480	3
468	4
456	5
444	6
432	7

TYPE KN

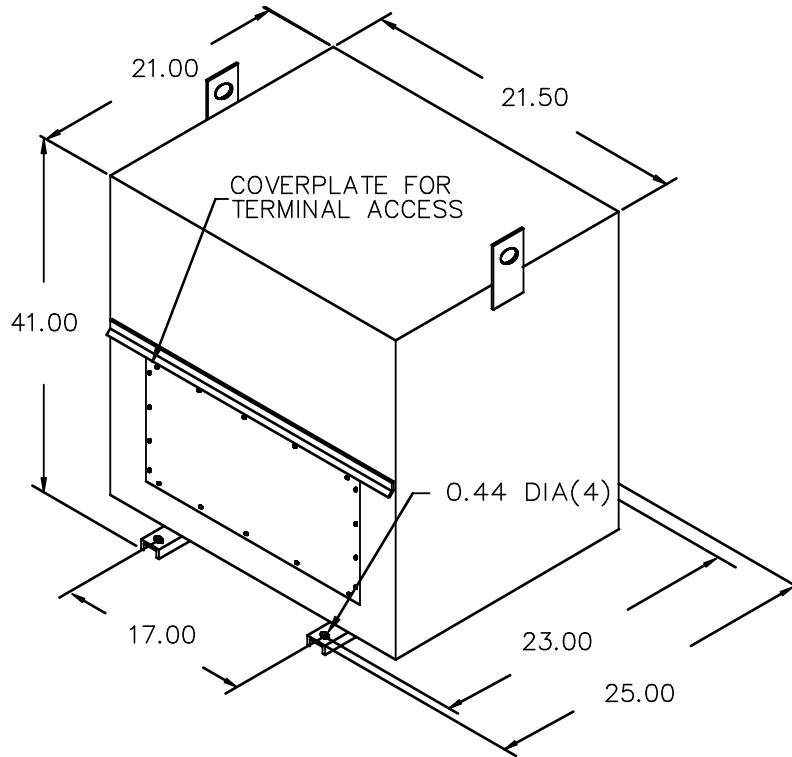


DRY TYPE TRANSFORMER
77U5 E112313
LR 3902

nsps0009



3F3Y015BESCLN3SSN4X



All Dimensions in inches

ENCLOSURE COLOR :304 STAINLESS STEEL #4 FINISH

H.V.1. TERMINAL DETAIL

L.V.1. TERMINAL DETAIL

MECHANICAL TYPE LUGS INCLUDED
SUITABLE FOR #14-2 CU/AL
CONDUCTORS
1 CONDUCTOR PER PHASE

MECHANICAL TYPE LUGS INCLUDED
SUITABLE FOR #14-2 CU/AL
CONDUCTORS
1 CONDUCTOR PER PHASE

CUSTOMER NOTES:

- HV1 TERMINATED AT TOP FRONT
- LV1 TERMINATED AT BOTTOM FRONT
- C/W STAINLESS STEEL NAMEPLATE

Confidential - Property of
Siemens Industry, Inc.

REVISION	DATE	BY	DATE	BY
		DRAWN	16/04/27	RM
		CHEK'D		
		VERIF'D		

CUSTOMER	
ORDER NO.	DWG. NO. 3F3Y015BESCLN3SSN4X SH 2 OF 2

0.1 rmova 2016/04/27 12:07