

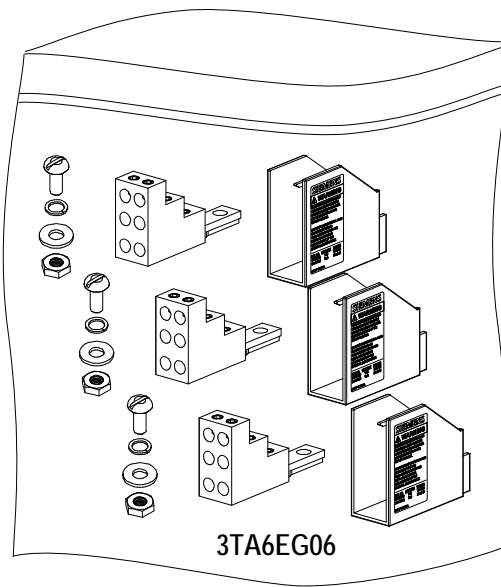
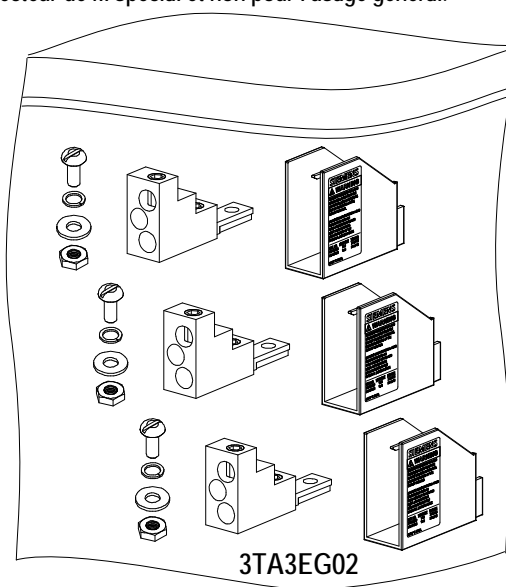
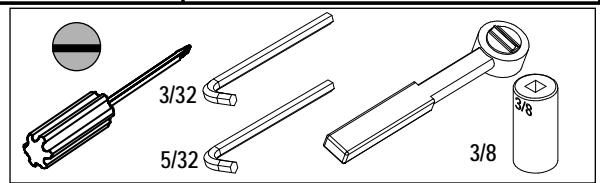


Installation Instructions / Instructivo de Instalación

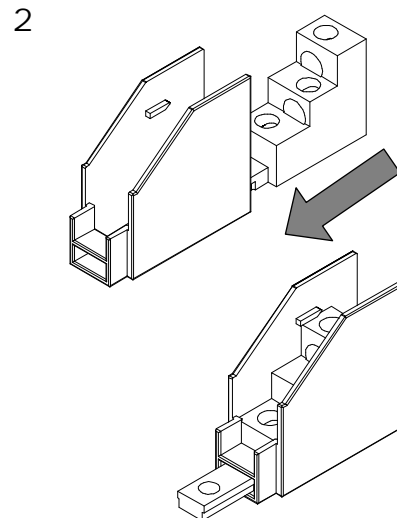
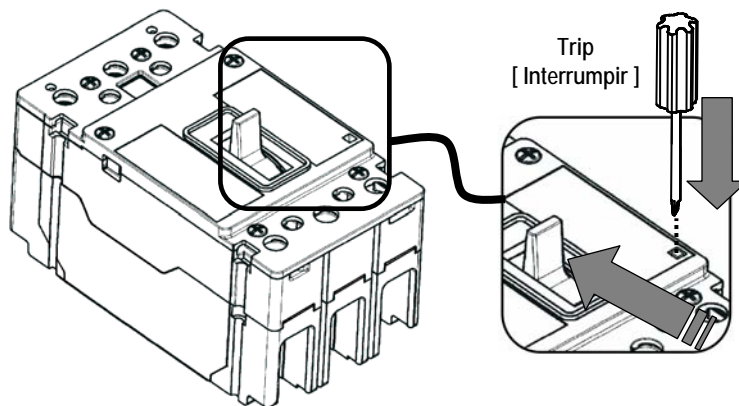
 <b>Danger</b>	 <b>Peligro</b>	 <b>Danger</b>
<p><b>Hazardous Voltage.</b> Will cause death or serious injury.</p> <p> Turn off and lock out all power supplying this device before working on this device. Replace all covers before power supplying this device is turned on.</p>	<p><b>Tensión peligrosa.</b> Puede causar la muerte o lesiones graves.</p> <p>Desenergice totalmente antes de instalar o darle servicio. Reemplace todas las barreras y cubiertas antes de energizar el interruptor.</p>	<p><b>Tension dangereuse.</b> Danger de mort ou risque de blessures graves.</p> <p>Couper l'alimentation de l'appareil et barrer avant de travailler. Remplacez tous les couverts avant que l'alprovisionnement de pouvoir soit alimenté.</p>

Use only with Siemens certified components.  
 Utilizar únicamente con componentes certificados de Siemens.  
 A utiliser uniquement avec les composants certifiés Siemens.

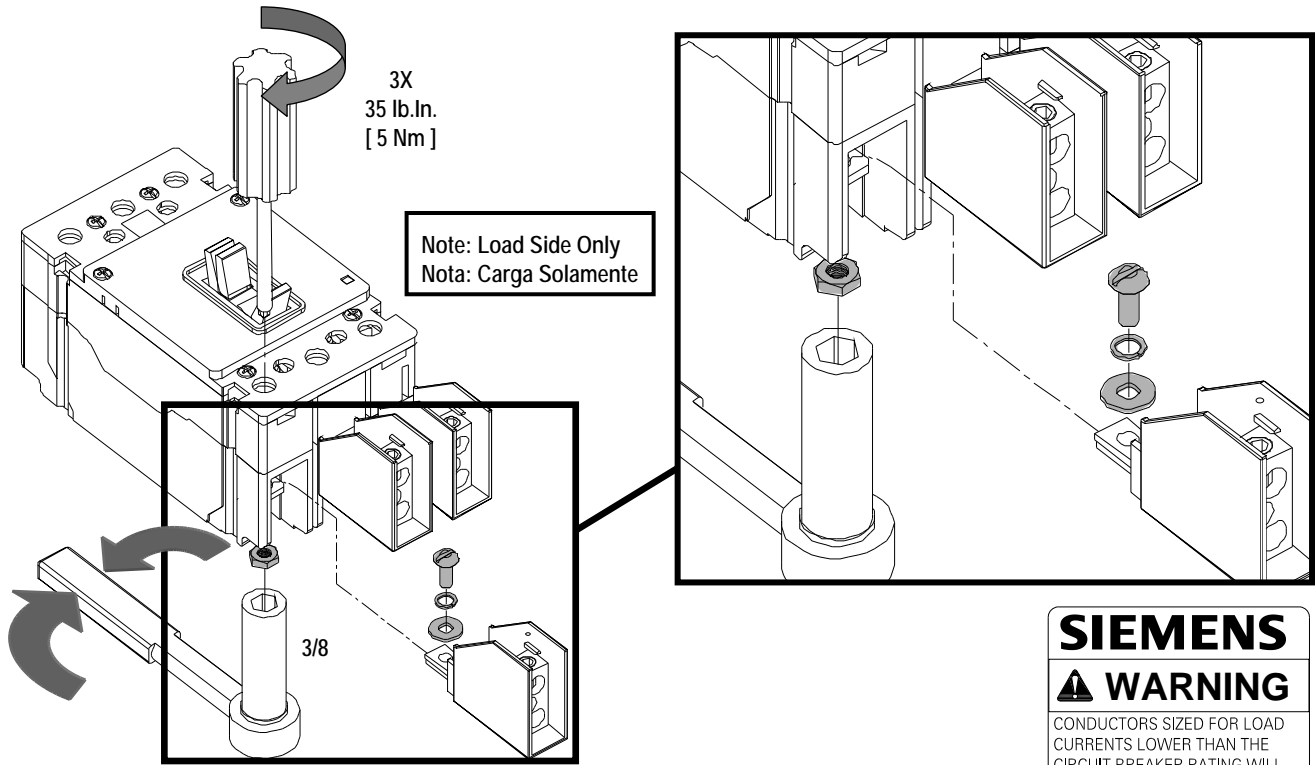
Caution: Special Purpose wire connector. **NOT** for general use.  
 Precaucion: Proposito Especial conexion de terminales. **NO** es de uso general.  
 Attention: Connecteur de fil spécial et non pour l'usage général.



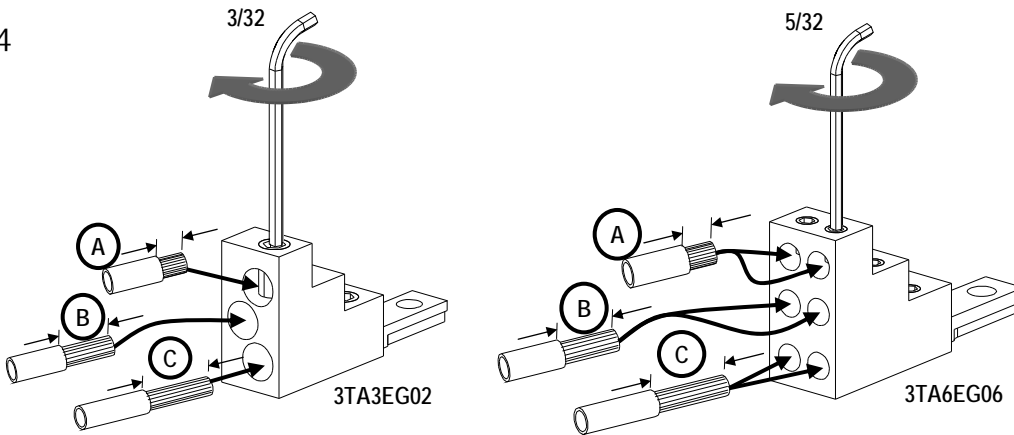
1 Disconnect Voltage. Trip breaker.  
 [Desconecte El Voltaje. Dispare El Tritrador. ]



3



4



**SIEMENS**

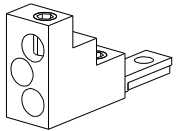
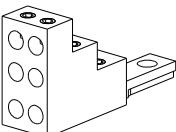
**⚠ WARNING**

CONDUCTORS SIZED FOR LOAD CURRENTS LOWER THAN THE CIRCUIT BREAKER RATING WILL NOT BE PROTECTED BY THE CIRCUIT BREAKER.

PROTECT EACH INDIVIDUAL LOAD CONDUCTOR WITH AN OVER-CURRENT DEVICE AND MEET ANY ADDITIONAL REQUIREMENTS OF THE NATIONAL ELECTRIC CODE.

CAT. NO.	WIRE SIZE	TORQUE
3TA3EG02	14-2	70 LB-IN
3TA6EG06	14-6	25 LB-IN

60/75 °C CU/AL

Wire Connector [ Conexión del cable ]	60°C and 75°C Wire Size [ Rango Cable ]	Req. Wire Stranding [ Hebras ] UL 486A - 486B		Torque [ Esfuerzo de torsión ]	Wire Strip Length [ Quitar ]		
		CU / AL Class B	CU Class C		(A)	(B)	(C)
 3TA3EG02	(Cu / Al) 14 - 2 AWG [ 2.5 - 35 mm <sup>2</sup> ]	7	19	70 lb. in. [ 8 Nm ]	.38 - .50 [ 9.7 - 13mm ]	.75 - .88 [ 19 - 22mm ]	1.25 - 1.38 [ 32 - 35mm ]
 3TA6EG06	(Cu / Al) 14 - 6 AWG [ 2.5 - 16 mm <sup>2</sup> ]	7	19	25 lb. in. [ 3 Nm ]			

Technical Support:

Toll Free: 1-800-964-4114

Internet: [www.usa.siemens.com/powerdistribution](http://www.usa.siemens.com/powerdistribution)

Subject to change without prior notice  
Siemens Industry, Inc., Norcross, GA U.S.A.