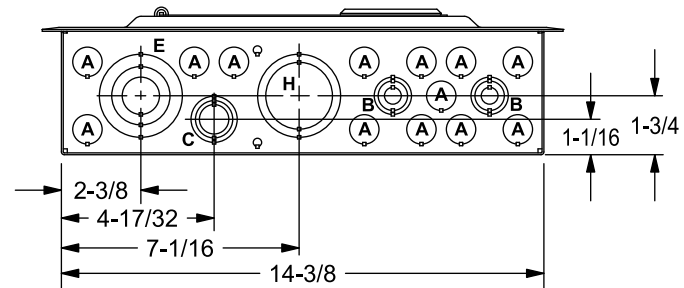
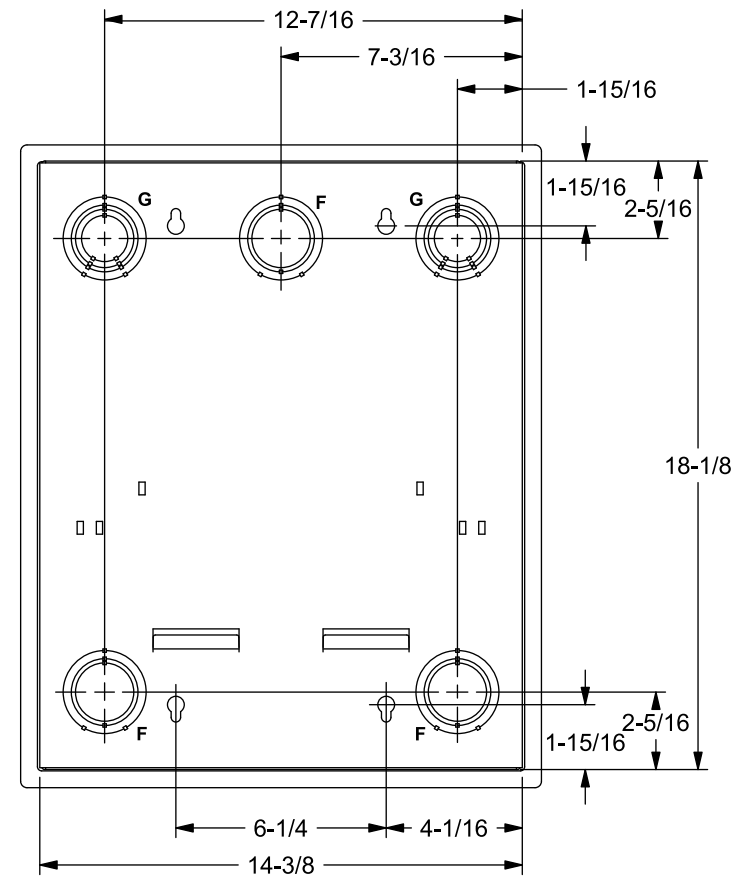
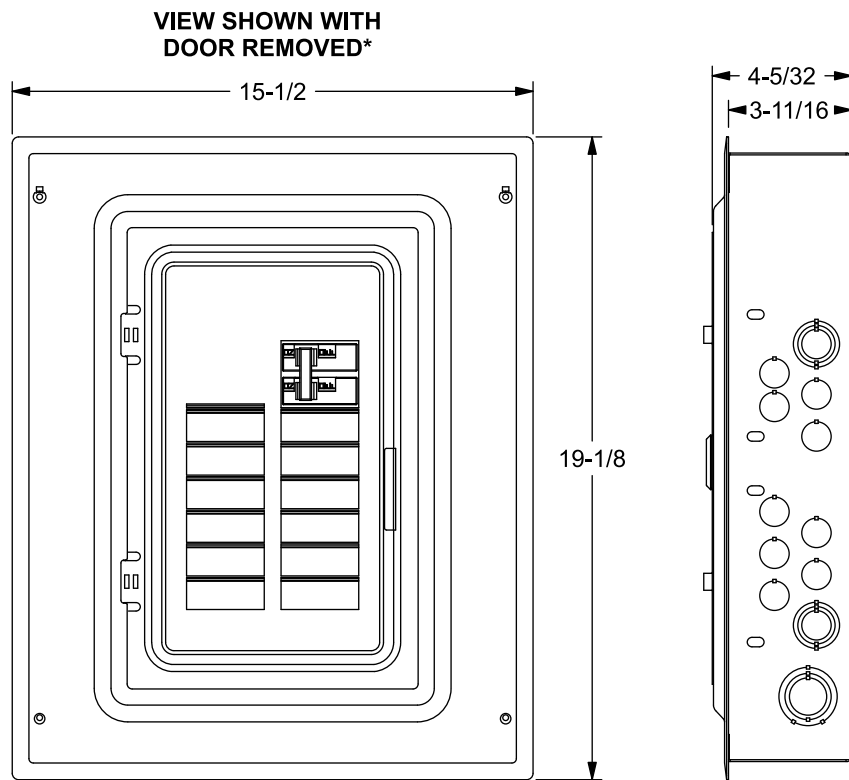
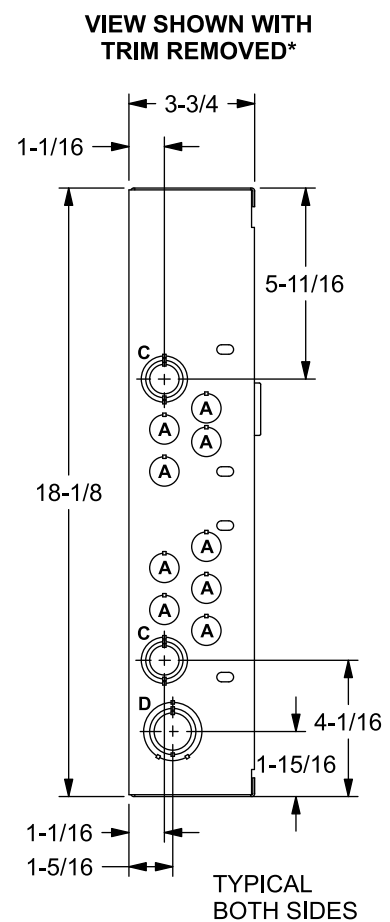
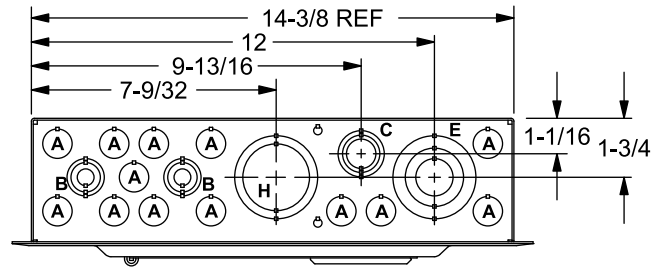


Features and Ratings

- 1 PHASE, 3 WIRE, 120/240V ~
- 22K AIC MAIN BREAKER FACTORY INSTALLED
(SEE WIRING DIAGRAM FOR DETAILS)
- GROUND BARS INSTALLED
- TYPE N1 INDOOR ENCLOSURE
- ANSI 61 GRAY POWDER COATED ENCLOSURE
- ENCLOSURE AND TRIM SOLD SEPARATELY

Catalog Number	Amps Max	Number Spaces	Number Circuits	Bus Bar Material
BMW1224MB1100F	100	12	24	Aluminum

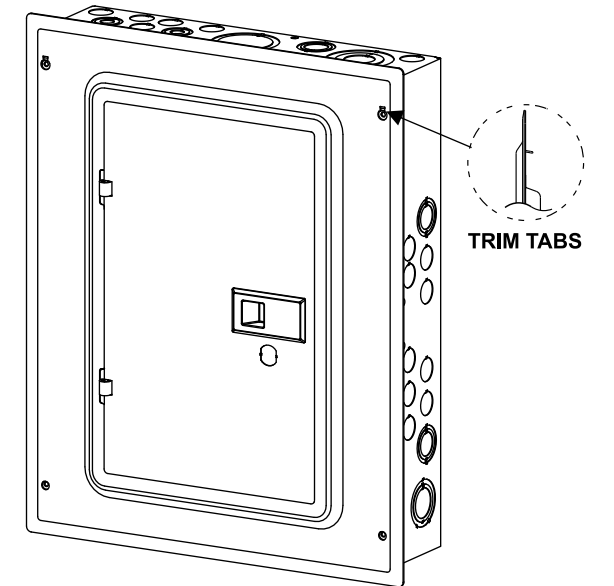


Knockouts (inches)	
A	1/2"
B	3/8", 1/2", 3/4"
C	1/2", 3/4", 1"
D	3/4", 1", 1-1/4"
E	3/4", 1-1/4", 1-1/2"
F	1-1/4", 1-1/2", 2"
G	1", 1-1/4", 1-1/2", 2"
H	1-1/2", 2"

Trim/Door Detail

*Trim/Door Assemblies Sold Separately

Catalog Number	Trim Color
TMW1224MB1100F	White
TM1224MB1100F	Gray



Terminal Wire Sizes and Torques

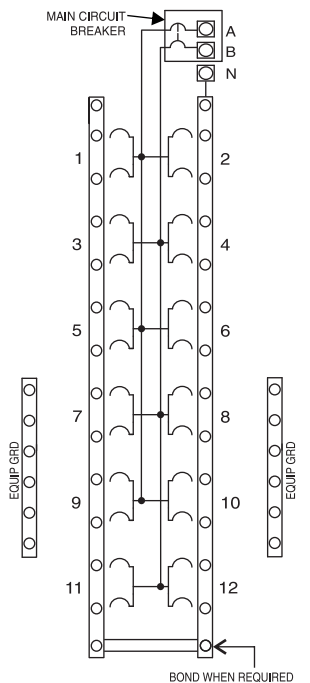
USE COPPER OR ALUMINUM 60°/75°C WIRE

Terminals	Wire Size AWG	Torque
A and B	See Marking on Breaker	
N	2/0-#4	45 lb.-ins.
Neutral Ground Bar	#10-14 CU/#10-12 AL	20 lb.-ins.
	#8	25 lb.-ins.
	#6	35 lb.-ins.
Grd. Conductors Only	(2) or (3) #10-14 CU or #10-12 AL	20 lb.-ins.
ECLK1-2	2/0-#2	45 lb.-ins.
ECLK2	2/0-#4	135 lb.-ins.
ECLK3	300 kcmil - 1 AWG	340 lb.-ins.
Branch Breakers	See Marking on Breaker	

Accessories

Description	Cat. No.
Door Lock	ECQFL2
Trim Screw	ECTS2
Padlock Device for QP Breakers	ECQLD3
Padlock Device for QT Breakers	ECQLD4
Filler Plate	ECQF3

Schematic



© 2012 Copyright Siemens Industry, Inc.

SIEMENS
Siemens Industry, Inc.

Mobile Home Load Centers

Description: **1 Phase, Indoor, 12 Position, 100A Main Breaker Cut Sheet**

KAM 12/5/12 DO NOT SCALE DRAWING Dwg No: **BMW1224MB1100F**