

FRONT BUS CONNECTORS OFFSET 3 PCS ACCESSORY FOR:
3VA6 400/600



Model	
Product brand name	SENTRON
Product designation	accessories
Connections according IEC	
Thickness / of the busbar / minimum	2 mm
Width / of the busbar / maximum	60 mm
Thickness / of the busbar / maximum	12.5 mm
Connections according UL	
Width / of the busbar / maximum	2.4 in
Thickness / of the busbar / minimum	0.08 in
Thickness / of the busbar / maximum	0.5 in
Certificates	

General Product Approval	EMC	Declaration of Conformity	other
 CSA	 UL		 RCM  EG-Konf. Miscellaneous

Further information

Information- and Downloadcenter (Catalogs, Brochures,...)

<http://www.siemens.com/lowvoltage/catalogs>

Industry Mall (Online ordering system)

<https://mall.industry.siemens.com/mall/en/en/Catalog/product?mlfb=3VA9473-0QC00>

Service&Support (Manuals, Certificates, Characteristics, FAQs,...)

<https://support.industry.siemens.com/cs/ww/en/ps/3VA9473-0QC00>

Image database (product images, 2D dimension drawings, 3D models, device circuit diagrams, ...)

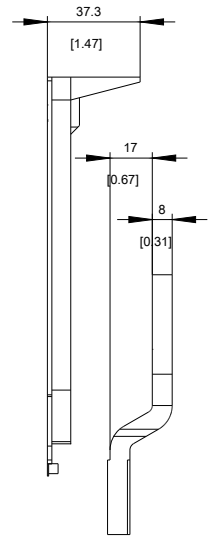
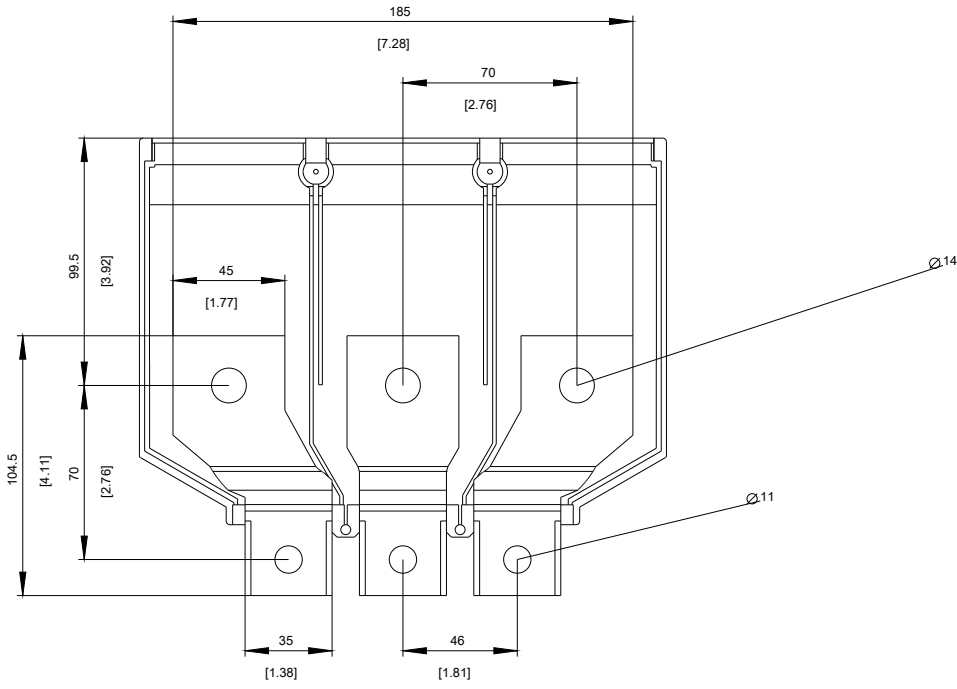
http://www.automation.siemens.com/bilddb/cax_en.aspx?mlfb=3VA9473-0QC00

CAX-Online-Generator

<http://www.siemens.com/cax>

Tender specifications

<http://www.siemens.com/specifications>



last modified:

11/20/2017