

SIEMENS

Indoor/Outdoor Cross Bus Main Module

Catalog Number

- WXBM31200N**
 WXBM31200NU

Enclosure

Type 3R

Module Rating:

1200 Amps, Max; See main breaker for actual rating.

Main Bus Rating: 1200 Amps

208Y/120 Volts~, 3 Phase, 4 Wire

240/120 Volts~, 3 Phase, 4 Wire, Delta (B Phase is High Leg)

For installation by Qualified Person in accordance with all local electrical codes and/or the National Electrical Code ®.

Circuit breaker trip position is indicated by handle position midway between ON and OFF. To reset, move handle to OFF position, then turn ON.

Short Circuit Current Rating

This device has a maximum short circuit current rating of 100,000 amps RMS symmetrical at 240 Volts ~. The actual short circuit current rating is limited to the interrupting rating of the circuit breaker installed. Replacement breakers must be manufactured by Siemens and must be of the correct type and rating as indicated in the table below. Use of other circuit breakers in this device will void the warranty.

Breaker Type	Rating
SND6	65k AIC
SHND6	100k AIC

USE ONLY NON-INTERCHANGEABLE
TRIP BREAKER TYPES

Accessories: **Cat. No.**
Ground Bar ECGB10

Terminal	Wire Size	Torque
Equipment Ground Bar	#10 - #14 CU	20 lb-in
	#10 - #12 AL	20 lb-in
	#8 CU/AL	25 lb-in
	#6 - #4 CU/AL	35 lb-in

See adjacent labels for additional marking information.

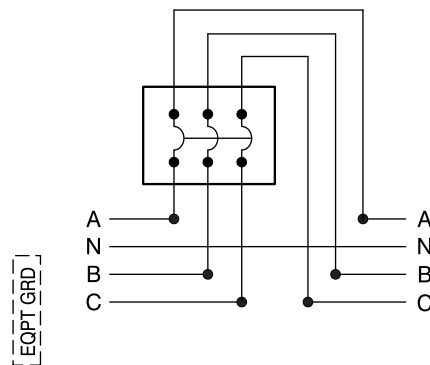
Siemens Industry, Inc. Norcross, Georgia U.S.A.

DH1

40901731 0101 Rev.00

© The National Electrical Code is a registered trademark of the National Fire Protection Association.
© 2019 Copyright Siemens Industry, Inc.

SIEMENS



When this module is used as a Service Disconnect, apply "Service Disconnect" label near the breaker handle cover. In all other applications, apply the "Feeder Breaker" label near the breaker handle cover.

Connect Modules Using: **Cat. No.** **Torque**
Quick Connect QC4 400-440 lb-in (35-36 ft.-lb.)

IMPORTANT - for use with:

Module Description	Siemens Series#
Main Breakers	WB(M), WEB(M), WXB(M), BFT(M)
Switches	WMP, WS, WES, WXS
Tap/Terminal Boxes	WTB, WET, WT PU, WTBN, WBT(M)
Pull Boxes	WMMB
Meter Module	(W)MM, (W)MT, (W)ML, (W)MK, (W)MLZ(F), (W)MN
Meter Combinations	WC, WCL, WCT,
Extension Box	WSP, WSPD
Bussed Elbow	BE, WELB

Important: Do not allow petroleum based (hydrocarbon) sprays, chemicals, solvents or any paint to contact interior components. Petroleum based chemicals can cause degradation of electrical insulating materials.

Siemens Industry, Inc. Norcross, Georgia U.S.A.

DH1

40901731 0201 Rev.00

© 2019 Copyright Siemens Industry, Inc.