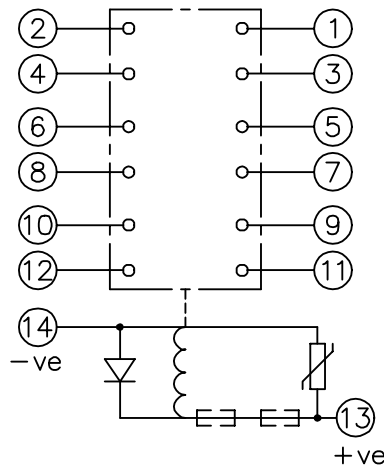


LOOKING ON FRONT OF RELAY



**PRINTED ON 25/06/2003  
ENSURE CORRECT REVISION  
DESTROY AFTER USE**

NOTE:

1. RESISTORS ARE NOT REQUIRED ON OTHER VOLTAGE VARIATIONS.
- \* 2. THE AR141T2 125VDC & 240VDC VERSIONS MUST HAVE RESISTOR 2101C21471 FITTED INSTEAD OF THE ONE SPECIFIED ON CHART. SEE RELEVANT B.O.M.
3. HEAVY DUTY CONTACTS ARE FITTED WITH BLOWOUT MAGNETS AND ARE POLARITY CONSCIOUS, SEE TABLE BELOW FOR +VE TERMINAL.

KEY	125	* 2101C21102 ONLY.	NIL.	SEE NOTE 2 *			
	make contact	240	* 2101C21102 +EXT. RES.	EXT. RES. ONLY	SEE NOTE 2 *		
break contact	VDC	RES.(T1,T2,T3,T6).	RES.(T4).	REMARKS			
c/o contact	CONTACT CONFIG.	OUTPUT CONTACT PAIR / TERMINAL No.					
ext. conn	6M	M	M	M	M	M	M
plug bridge - shorting	5M 1B	M	B	M	M	M	M
metering point	4M 2B	B	B	M	M	M	M
5Kv barrier	3M 3B	B	B	M	B	M	B
test socket - shorting	2M 4B	B	B	B	B	M	M
plug & socket	1M 5B	B	B	B	B	M	B
		6B	B	B	B	B	B

**NOT SUBJECT TO UPDATE  
ONCE COPIED / PRINTED  
OR DOWNLOADED**

FRAME REFERENCE: E2FAQQ.

FRAME TERMINAL BLOCK ASSY: -

ASSEMBLY INSTRUCTIONS: -

TYPICAL ASSEMBLY DRAWING 2995G10032.

AT INDICATED POSITIONS FIT AS FOLLOWS:

T - FIT TRIP ISOLATION CONTACT 2995B10053

S - FIT STANDARD CONTACT 2995B10054

SECURE CONTACTS USING FIXING SCREW

2109F99009.

POSITIONS SHOWN BLANK ARE UNUSED

2	T	T	1
4	T	T	3
6	T	T	5
8	T	T	7
10	T	T	9
12	T	T	11
14	S	S	13
16			15
18			17
20			19
22			21
24			23
26			25
28			27

VIEW FROM NUMBERED  
SIDE OF BLOCK

OUTER TERMINAL BLOCK ASSY: -

ASSEMBLY INSTRUCTIONS: -

TYPICAL ASSEMBLY DRAWING 2995G10029.

AT INDICATED POSITIONS FIT AS FOLLOWS:

S - FIT STANDARD CONTACT 2995B10051

HC - FIT 'HEAVY CURRENT' KIT 2995G10030

WHERE IS SHOWN FIT CT SHORTING

KIT 2995G10031

POSITIONS SHOWN BLANK ARE UNUSED.

ALL POSITIONS FIT SCREW 2106F12506.

2	S	S	1
4	S	S	3
6	S	S	5
8	S	S	7
10	S	S	9
12	S	S	11
14	S	S	13
16			15
18			17
20			19
22			21
24			23
26			25
28			27

VIEW FROM INSIDE  
FACE

Copyright © 2002 VATECH REYROLLE ACP Ltd. Hebburn

1	15/04/02		Title. TERMINAL BLOCK & WIRING DIAGRAM FOR AR1-1T-D 6C RELAYS IN E2 CASE.	First used on:	
			<b>VATECH REYROLLE</b>	Similar Articles:	
ISSUE	DATE	MOD.No.	<b>AUTOMATION, CONTROL &amp; PROTECTION</b>	Supersedes:	2112W50130
DRAWN: A.LAW.	CHECKED:	APPROVED: R.D.WATSON	DATE: 17/07/02	IE:	