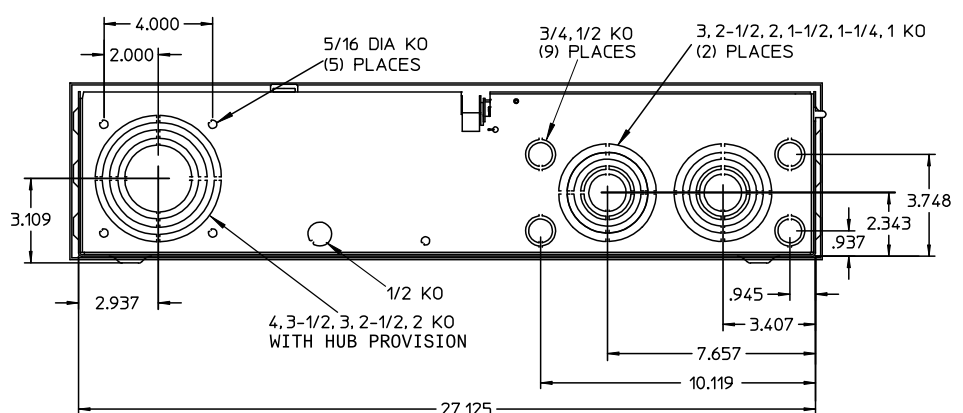
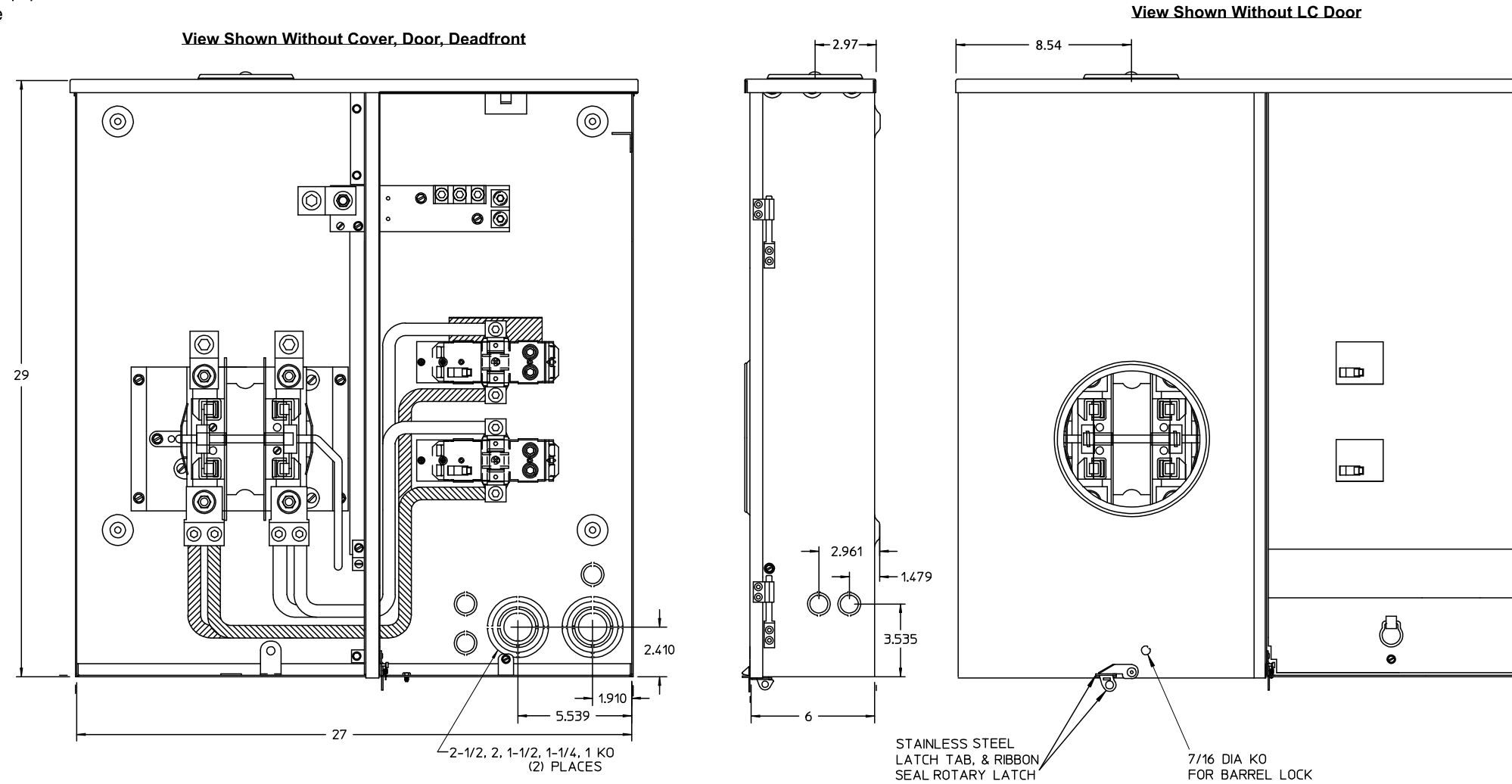


# Catalog Number: MM0404B11515RL

## Features and Ratings



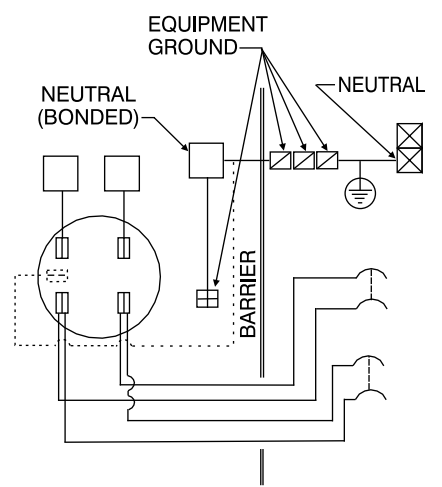
- Outdoor Enclosure (NEMA Type 3R)
- Ringless Type Meter Cover
- Device Rating: 300A Max
- 120/240V~ 1 Phase, 3 Wire
- 120/208V~ 1 Phase, 3 Wire w/5th Jaw Installed
- Meter Socket Rating: 320A Continuous
- 4 Jaw, Lever Operated Bypass with Jaw Tension Release
- (2) 150A Breakers Factory Installed
- UL Listed only for use as Service Entrance Equipment
- Overhead or Underground Service Entrance
- Surface Mounting



## Accessories

- ACCESSORIES**  
 FILLER PLATE . . . . . ECQF3  
 5TH JAW SHIELD . . . . . H35815-2
- ORDER HUBS FROM "HD" SERIES**  
 COVERPLATE . . . . . EC56933S  
 3" HUB . . . . . EC56856  
 3 1/2" HUB . . . . . EC56857  
 4" HUB . . . . . EC56858
- HARDWARE TIGHTENING TORQUES:**  
 3/8" NUTS . . . . . 250-300 LB.-IN.

## Schematic



FACTORY INSTALLED BREAKERS:  
 (2) QN2150RH (150 AMP)

TERMINAL RANGES	TORQUE
kcmil OR AWG; CU/AL	LB.-IN.
□ (1)600kcmil-#4 OR (2)350kcmil-1/0	500
□ Alt. Lugs H56732-2 (2) 350kcmil-#4	275
⊞ (1)2/0-#12	50
⊞ (1)250kcmil-4	250
⊞ (1)2/0-#6	275

**SIEMENS**  
Siemens Industry, Inc.

**Outdoor Combination Meter Main**

Description:  
**300A, 1ph, Ringless, OH/UG, (2)150A Breakers**

KAM 7/8/14	Fam M	DO NOT SCALE DRAWING	Dwg. No. <b>MM0404B11515RL</b>
---------------	----------	-------------------------	-----------------------------------