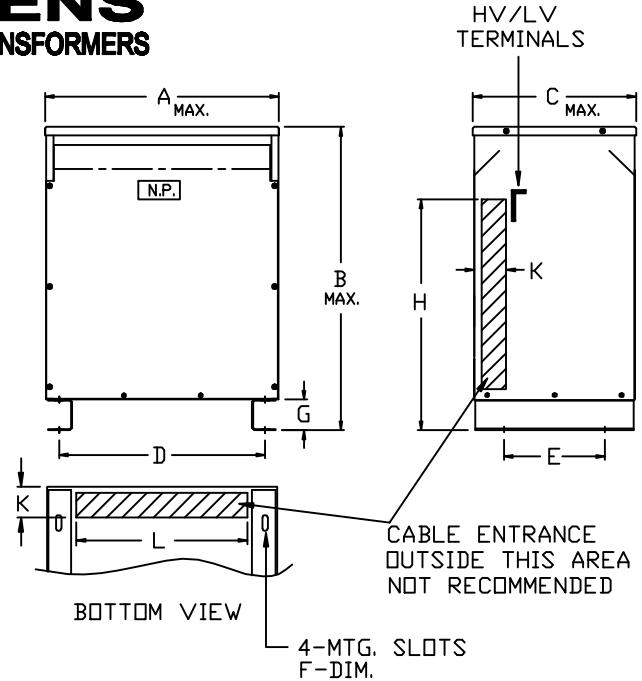


# SIEMENS

## DRY TYPE TRANSFORMERS

**NOTES:**

1. ALL UNITS ARE UL LISTED AND ARE DESIGNED IN ACCORDANCE WITH ANSI C89.2 AND NEMA ST-20 STANDARDS.
2. THESE TRANSFORMERS UTILIZE A UL RECOGNIZED 220°C INSULATION SYSTEM, TEMPERATURE RISE AS INDICATED IN THE TABLE.
3. TRANSFORMERS ARE DRY TYPE, CLASS AA, VENTILATED ENCLOSURE FOR INDOOR USE. OPTIONAL WEATHER KITS ARE AVAILABLE FOR ADAPTING THE UNIT FOR 3R USE WITHOUT VOIDING THE UL LABEL.
4. FOR LIFTING OTHER THAN WITH FORK TRUCK, REMOVE TOP COVER AND USE CORE CLAMPS FOR 100KVA & UP.
5. PAINT COLOR IS ANSI #61 GRAY.
6. FULL WIDTH COPPER ELECTROSTATIC SHIELD (OPTIONAL).
7. 6" REQUIRED CLEARANCE FROM THE WALLS.
8. HV/LV TERMINALS ARE TOP FRONT TERMINATED.



KVA	TEMP. RISE °C	NET WT. LBS.	DIMENSIONS IN INCHES									
			A	B	C	D	E	F	G	H	K	L
15	80	225	17.00	29.00	17.00	14.00	13.00	.56 x 1.13	3.00	20.00	3.00	11.00
25	80	297	20.00	31.00	18.00	16.88	14.00	.56 x 1.13	3.00	20.00	3.00	14.00
37.5	80	369	22.00	32.00	20.00	19.00	16.00	.56 x 1.13	3.00	22.00	3.00	16.00
50	80	499	22.00	34.00	22.00	19.00	16.00	.56 x 1.13	3.00	26.00	3.00	16.00
75	80	631	22.00	36.00	24.00	19.00	18.00	.56 x 1.13	3.00	28.00	3.00	16.00
100	80	768	35.00	46.00	30.00	31.50	25.00	.56 x 1.13	3.00	32.00	5.00	27.50

KVA	QTY.	CATALOG NO.	VOLTAGE		TAPS	DRAWING
			PRIMARY	SECONDARY		
						<input type="checkbox"/> APPROVAL
						<input type="checkbox"/> RECORD
						<input type="checkbox"/> OTHER

CUST.	DWN. BY:	Siemens Industry, Inc.
JOB	DATE:	
P.O.	CHK. BY:	GENERAL PURPOSE TRANSFORMERS SINGLE-PHASE, 600 VOLTS CLASS, 60 HZ. K-FACTOR (1) RATED - ALUMINUM - TP1
TIE	DATE:	
S.O.	APVD. BY:	DWG. NO. <span style="font-size: 1.5em;">J-132</span>
	DATE:	REV. C DATE 12/15/10