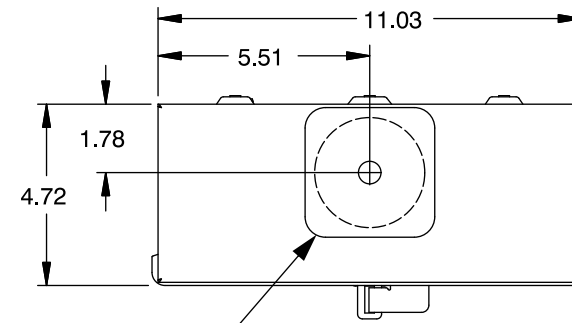


# Catalog Number: UAB111-100

## Features and Ratings

- Ringless Meter Cover
- 1 Phase, 3 Wire, 240 VAC
- Painted G90 Steel
- 100A Breaker Factory Installed
- Meter Socket Rating: 100A Continuous
- 4 Jaw Meter Socket, Ringless Type Meter Cover
- 10,000 AIC Max. Rated (See Wiring Diagram for Details)
- For Overhead or Underground Service
- RX Type (Small) Hub Provision with Closure Plate Installed



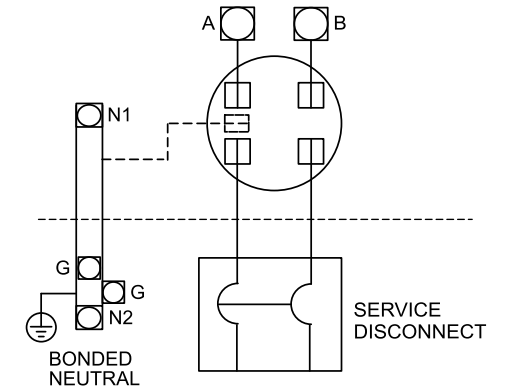
TYPE RX (SMALL) HUB PROVISION  
CLOSURE PLATE INSTALLED

## Accessories

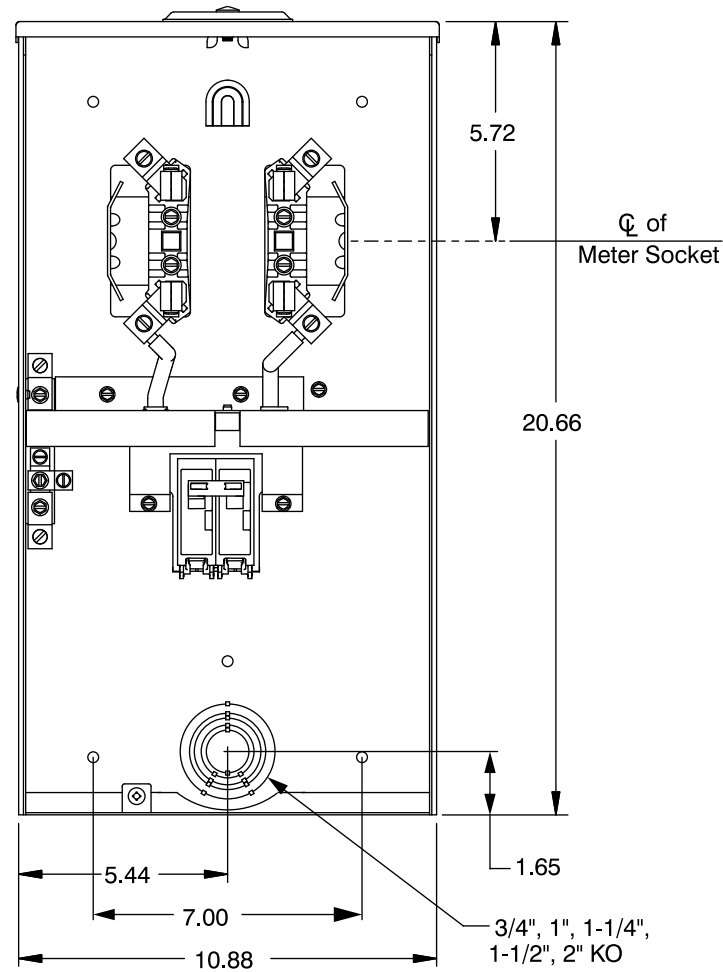
TYPE RX HUBS	
Trade size (in)	Catalog number
1 1/4"	EC38597 or H38597-2
1 1/2"	EC38598 or H38598-2
2"	EC38599 or H38599-2
2 1/2"	EC38600 or H38600-2
Closure plate . . .	EC38595 or H38595-1

5th Jaw: Catalog No. EC5J2

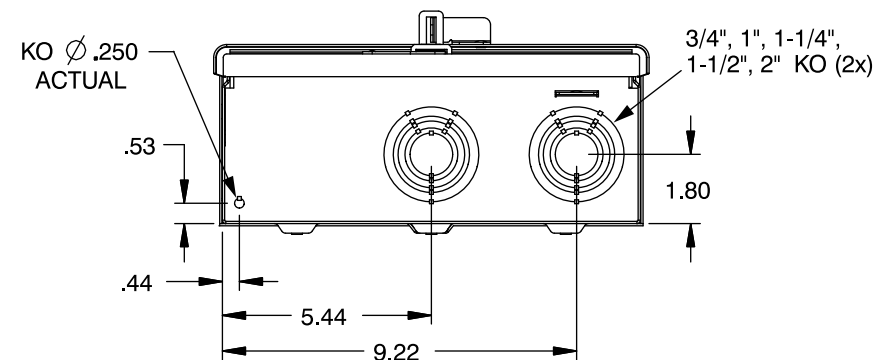
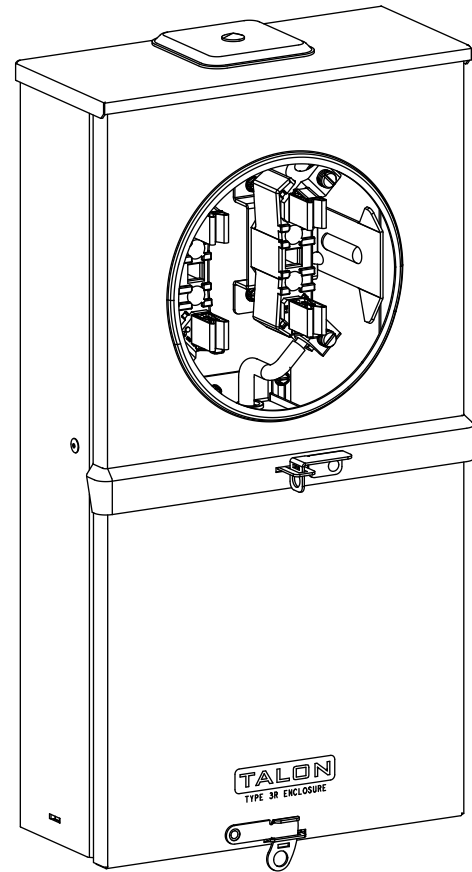
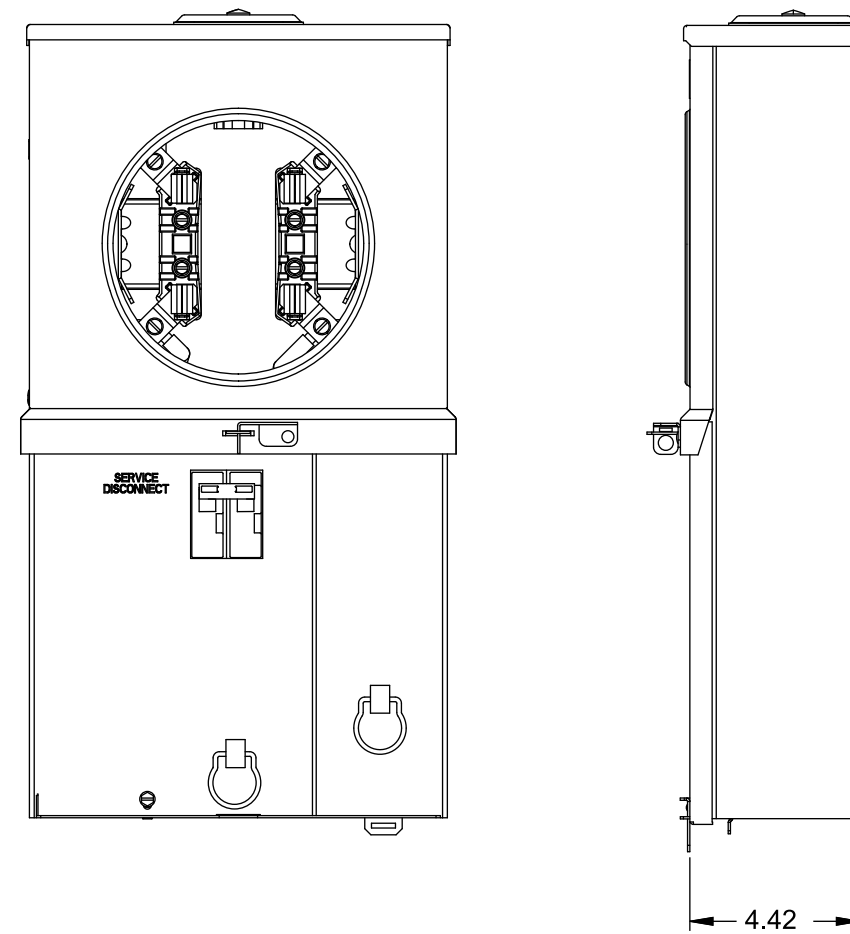
## Schematic



View Shown with Covers and  
DeadFront Removed



View Shown with Lower Cover Removed



## Torques and Wire Sizes

Terminal	Wire Size	Torque
A, B	#14-2/0 AWG	50 lb-in
N1, N2	#14-2/0 AWG	50 lb-in
G	#14-2 AWG	50 lb-in

© 2019 Copyright Siemens Industry, Inc.

# TALON

## Meter/Breaker Combination

Description: **100A Breaker, 100A Cont, 4 Jaw, 600V AC, Ringless, Painted G90 Steel**

KAM 8/23/19 DO NOT SCALE DRAWING Dwg No: **UAB111-100**