

Installation Instructions



⚠ DANGER

**Hazardous voltage.
Will cause death or serious injury.**

Turn off power supplying device before installing.



SAFETY INSTRUCTIONS

These instructions outline the recommended installation procedure.

<i>Cat. No.</i>	<i>Used With</i>
Handle	
FHOHS	Type 1, 2, 3, 3R, and 12 enclosures
FHOHS4	Type 4 and 4X enclosures
Cable	
FHOEC036	MCS603, MCS606, MCS610
FHOEC048	
FHOJC036	MCS620
FHOJC048	
Operator	
FHOS06R	MCS603R, MCS606R, MCS610R
FHOS06L	MCS603L, MCS606L, MCS610L
FHOS20R	MCS620R
FHOS20L	MCS620L

General

- A complete handle operator consists of a (1) handle, (1) cable, and (1) switch operator.
- The handle can be mounted on either right or left flange type enclosures.
- It can be locked in the “OFF” position with up to three padlocks.
- A two piece door catch is provided for applications where no interlocking door latch mechanism is provided.
- The flexible cable connects the handle to the switch operator.
- The handle operator interlocks with the DKR2, DKR3, DKL2, and DKL3 door latch mechanisms.

All dimensions are in inches.



Installation Instructions

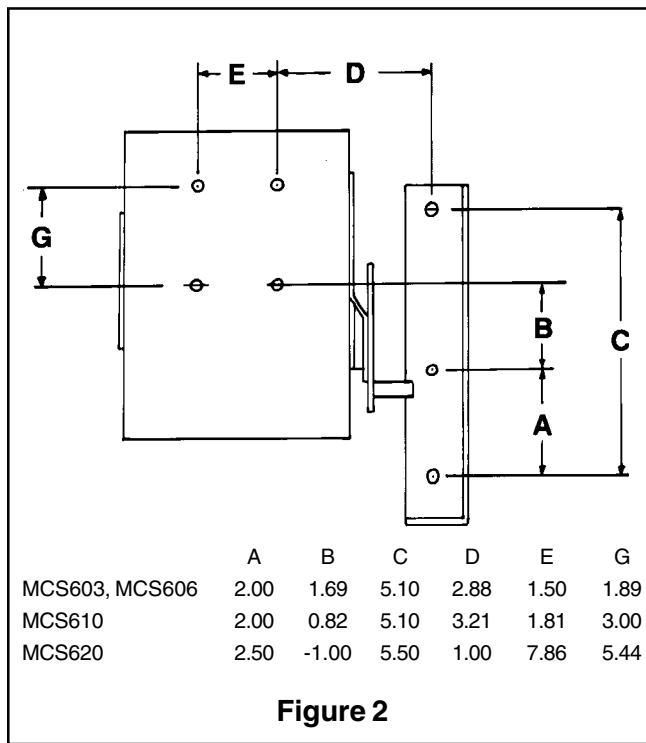
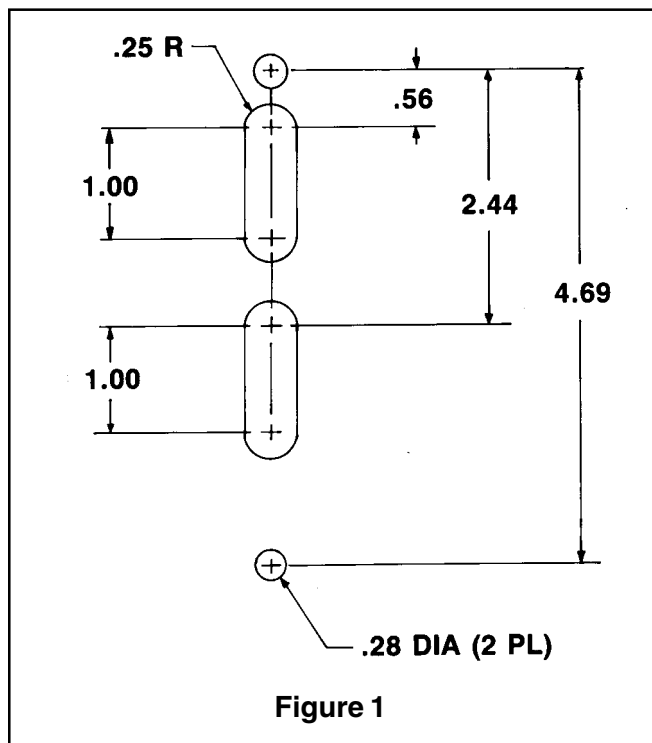
Installation

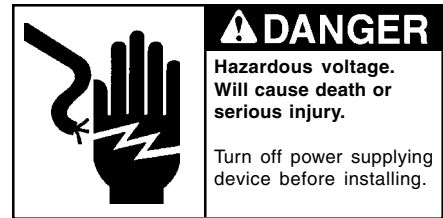
1. Turn OFF and lock out all power supplying the switch and all other equipment within its enclosure before installing.
2. Determine mounting location for the handle, operator, and switch. See Figures 1, 2, 3, and 4, and Tables A and B.
3. Figure 1 shows the flange cutout. Table A shows the maximum horizontal distance that the switch can be located from the handle, and table B shows the maximum vertical distance that the switch can be located from the handle. Figure 2 shows the mounting location of the operator relative to the switch. Figure 3 shows the mounting range of the switch within the enclosure.

NOTE: WHEN INSTALLED, THE BEND RADIUS OF THE CABLE MUST NOT BE LESS THAN THREE INCHES.

NOTE: See instruction sheet provided with disconnect for switch mounting requirements (mounting hole sizes, load base location).

Prepare the mounting holes for the handle, operator, and switch and remove burrs.





Installation Instructions

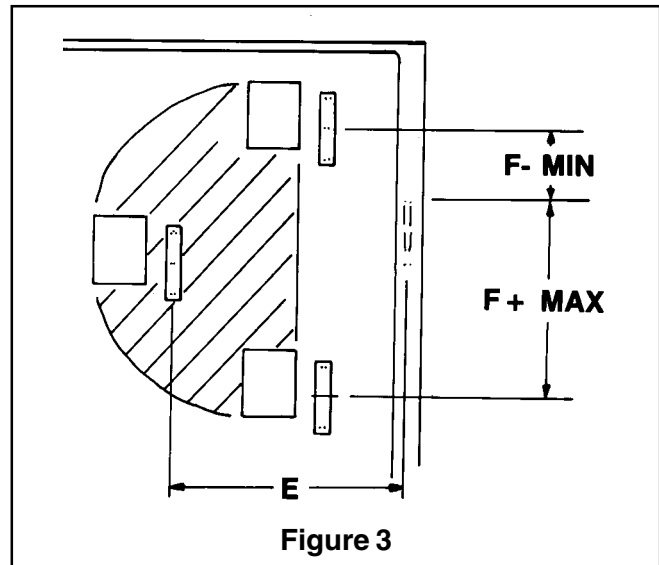
Maximum "E" Dimension

TABLE A		ENCLOSURE DEPTH						
		Cable	8.00	10.00	12.00	16.00	18.00	20.00
MCS603, MCS606, MCS610	FHOEC036	16.00	13.00	13.50	8.00	—	—	—
	FHOEC048	26.00	26.00	26.00	23.00	21.00	18.00	17.00
MCS620	FHOJC036	15.00	12.00	12.50	7.00	—	—	—
	FHOJC048	25.00	25.00	25.00	22.00	20.00	17.00	16.00

Note: Maximum "E" Dimension Only if "F" = 4.6

TABLE B

ENCLOSURE DEPTH	F DIMENSION			
	36" CABLE		48" CABLE	
	MIN.	MAX.	MIN.	MAX.
8	-7.0	14.5	-16.1	23.9
10	-5.5	13.1	-16.0	23.6
12	-5.0	12.0	-15.9	22.8
16	-4.0	9.4	-14.7	22.0
18	—	—	-14.6	21.9
20	—	—	-13.3	19.9
24	—	—	-12.0	16.9

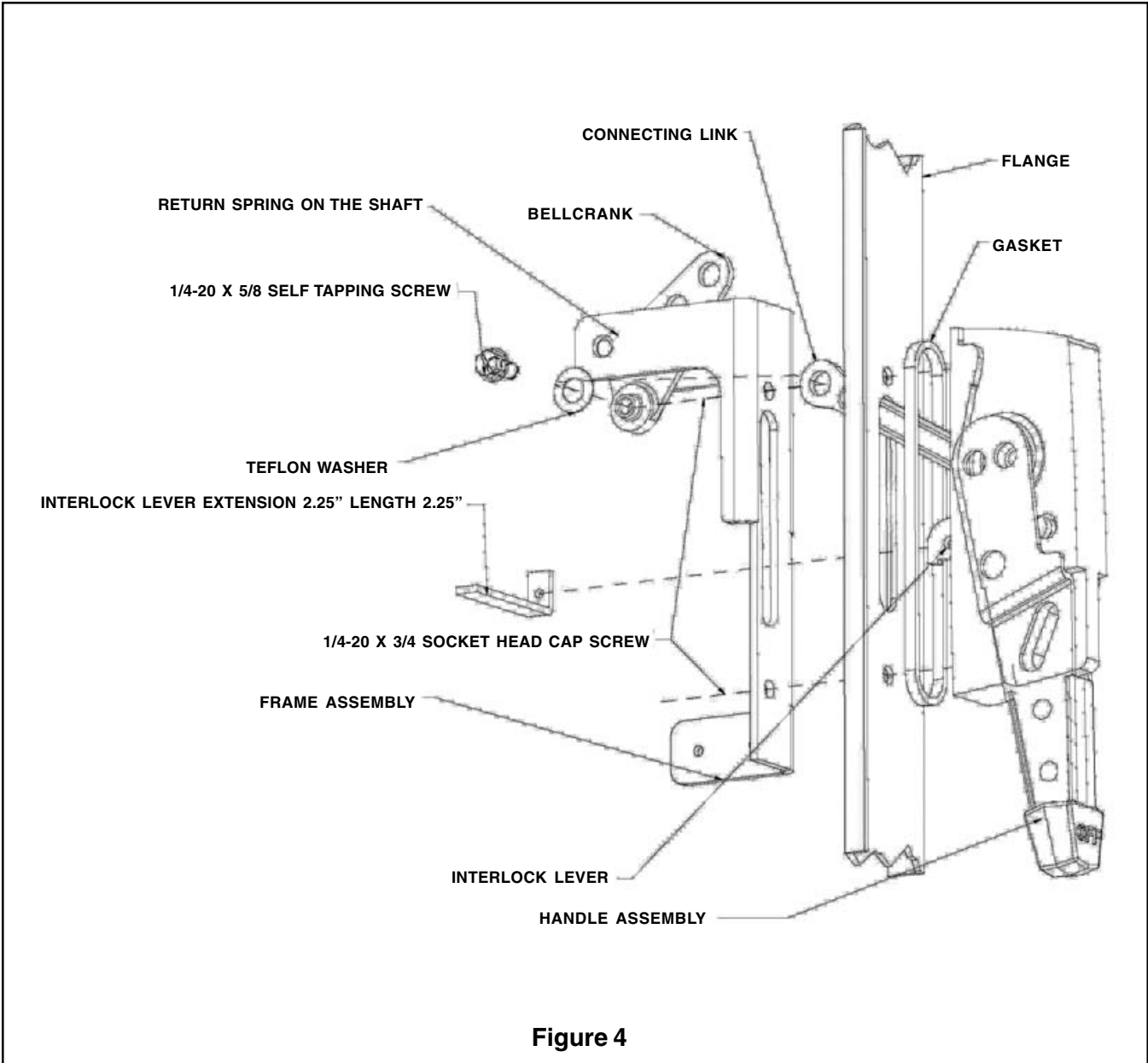


Handle Installation

1. Secure gasket into groove of handle assembly and mount handle assembly and frame to the enclosure flange using two 1/4-20 x 3/4 socket head cap screws and lockwashers. Tighten to 40 lb.-in. See Figure 4.
2. Rotate the bellcrank as shown in Figure 4 to gage the return spring. Hold bellcrank in position and place teflon washer between connecting link and bellcrank. Secure the connection with 1/4 -20 self tapping screw. Tighten the screw to 25 -35 In- Lbs. [2.8 - 4 n/m].
3. Attach interlock lever extension to the interlock lever with #8-32 x 3/8 screw and #8 lockwasher. Tighten to 12 lb.-in.
4. If no door catch is provided with the enclosure, attach the supplied door catch bracket and adjustable door catch to the enclosure door as shown in Fig. 5.



Installation Instructions

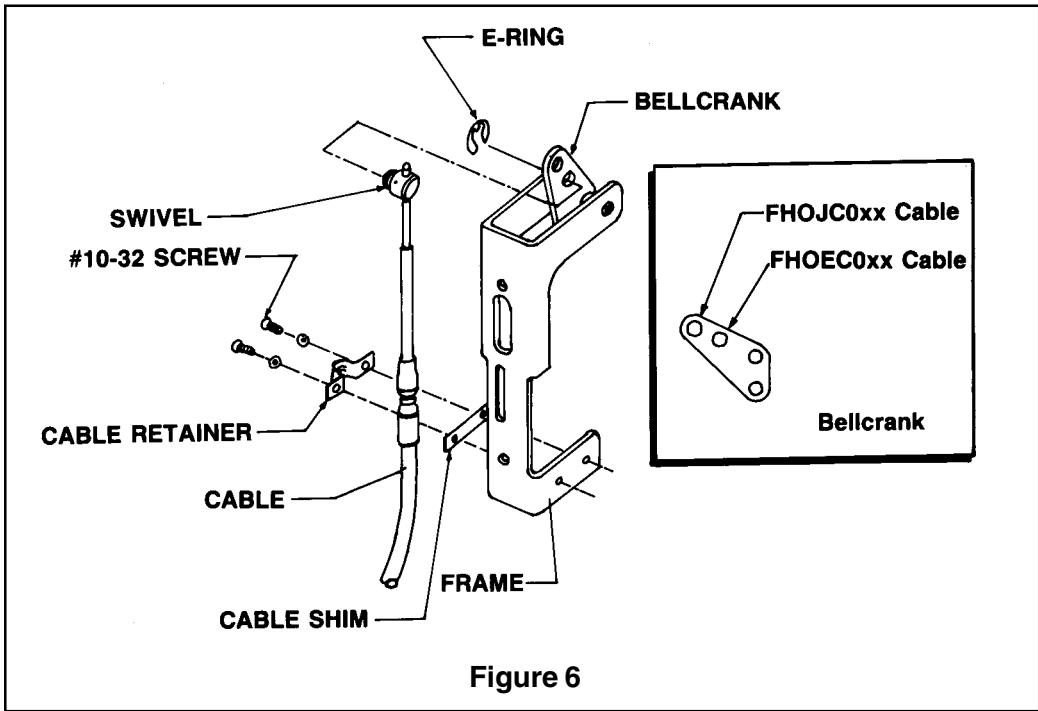
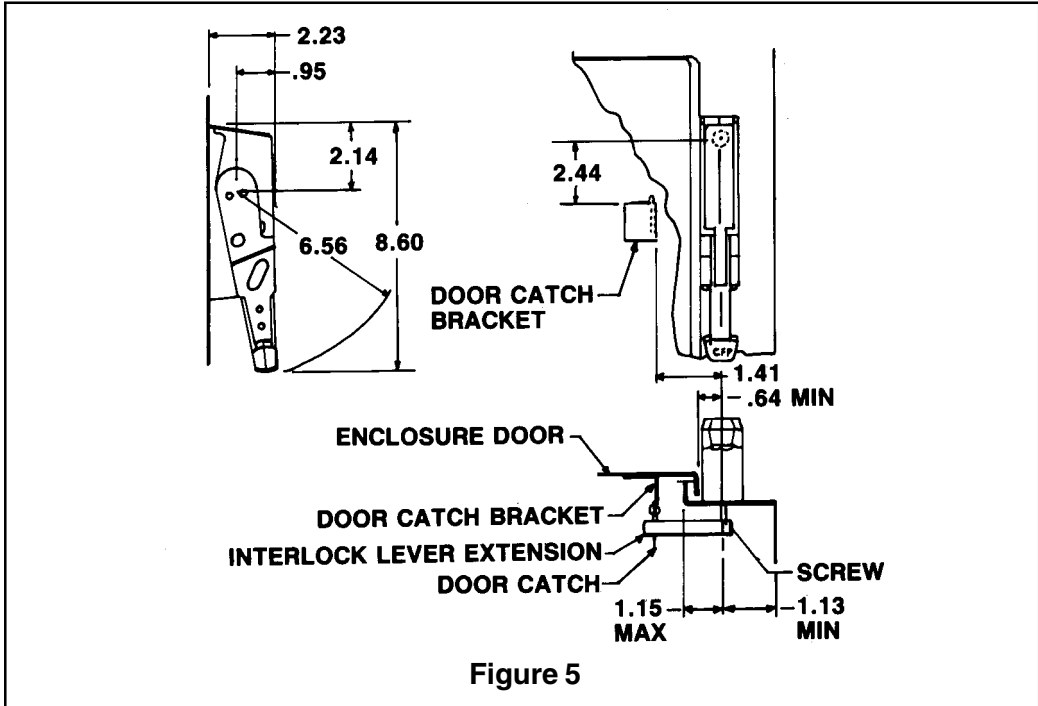


Operator Installation

1. Mount operator bracket to enclosure panel with #10-32 screws provided. See Figure 2.

	⚠ DANGER
	Hazardous voltage. Will cause death or serious injury.
	Turn off power supplying device before installing.

Installation Instructions

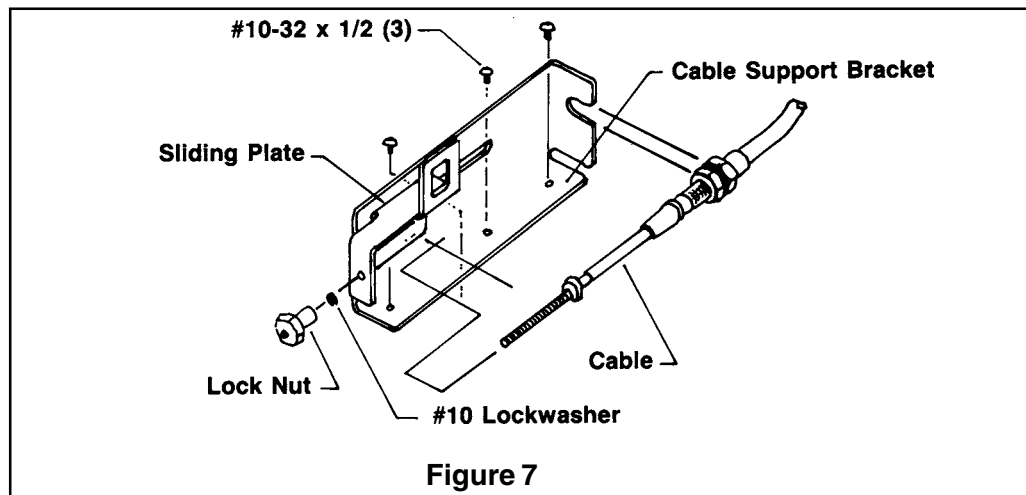




Installation Instructions

Cable Installation

1. Move handle to ON position.
2. Attach cable swivel to bellcrank. Secure with E-ring. See Figure 6.
3. Secure cable to frame assembly with cable retainer using #10-32 x 3/8 screws and lockwasher. Tighten to 20 lb.-in. Detent in cable retainer must interlock with groove in cable. See Figure 6.
4. Place cable mounting threads in cable support bracket. Tighten mounting nuts securely. See Figure 7.
5. Slide end of cable through hole in sliding plate and secure with #10 lockwasher and lock nut. See Figure 7.



NOTE: Do not assemble spring shipped with cable assemblies on MCS switches.

Switch Installation

1. Using hardware provided with switch, mount switch. See detailed instructions provided with disconnect switch.

Cable Adjustment

1. Check that the switch turns OFF and ON by moving the operator handle.
2. If switch does not turn OFF and ON properly adjust mounting nuts that attach cable to operator support bracket.

Door Catch Adjustment

1. Close enclosure door. This should release the interlock allowing the handle to be turned ON. If the handle cannot be turned ON, adjust door catch downward in its slot and repeat.
2. Turn handle ON and attempt to open door. The interlock should hold the door closed. If the door can be opened, readjust the door catch upward in its slot. Repeat steps 1 and 2 to insure that the door cannot be opened when the handle is in the ON position.