

# SIEMENS

## Indoor Breaker Enclosure

Catalog Number  
E0303ML3100S

Series  
B

Enclosure  
Type 1

Rating:  
100 Amps. Max  
240/120 Volts Delta or 208Y/120 Volts AC  
3 Phase 4 Wire (Use 3 Pole Breaker)  
240 Volts AC 3 Phase 3 Wire (Use 3 Pole Breaker)

### Suitable For Use As Service Equipment

When used as Service Equipment, apply "Service Disconnect" label on trim near breaker handle.

#### Terminals:

Use Copper or Aluminum Wire for all panel terminals and on circuit breaker terminals when breakers are so marked.

Line Terminals A, B, and C suitable for 60°/75°C conductors. Wire size #4-2/0 AWG CU/AL. Torque terminals to 45 Lb-in.

Line/Load Terminal N suitable for 60°/75°C conductors. Wire size #14-2/0 AWG CU/AL. Torque terminals to 45 Lb-in.

Terminal N1 suitable for 60°/75°C conductors. Wire size #14-2/0 AWG CU/AL. Torque terminal to 45 Lb-in.

#### Ground Terminal Wire Size

Wire Size	Tightening Torque
14-10 AWG CU	20 Lb-in.
12-10 AWG AL	20 Lb-in.
8 AWG CU/AL	25 Lb-in.
6 AWG CU/AL	35 Lb-in.
4 AWG CU/AL	45 Lb-in.

#### Accessories:

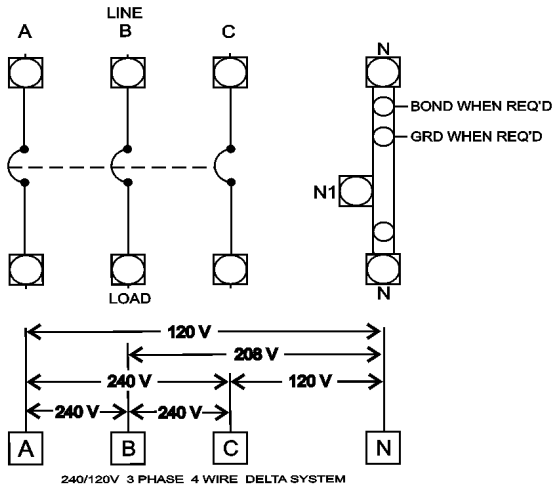
Filler Plate Cat. No. QF-3

Ground Bars:

Catalog No.	Taps
GB5	5

#### General:

Remove twistouts from trim only where breakers will be installed. All openings must be filled with breakers or filler plates. Circuit breaker overload trip position midway between ON and OFF. To reset, move handle to OFF position, then turn ON.



**Short Circuit Current Rating** The maximum short circuit rating of the circuit breaker enclosure is 22,000 RMS symmetrical amperes, 240 volts AC, but the rating is limited to the lowest interrupting capacity at a supply voltage of any breaker installed. Replacement circuit breakers must be of the same type and interrupting ratings.

Siemens Energy & Automation, Inc.  
Alpharetta, Georgia, U.S.A.



4094397 Rev. C

#### Important

This equipment has been designed for use only with Siemens Type QP, QPF, QPH, QPHF, and HQP circuit breakers. Use of other circuit breakers in this equipment will void the warranty.

Do not spray or allow any petroleum based chemicals, solvents, or paint to contact interior components.

Date of Manufacture: 01/26/05

Assembled in Mexico