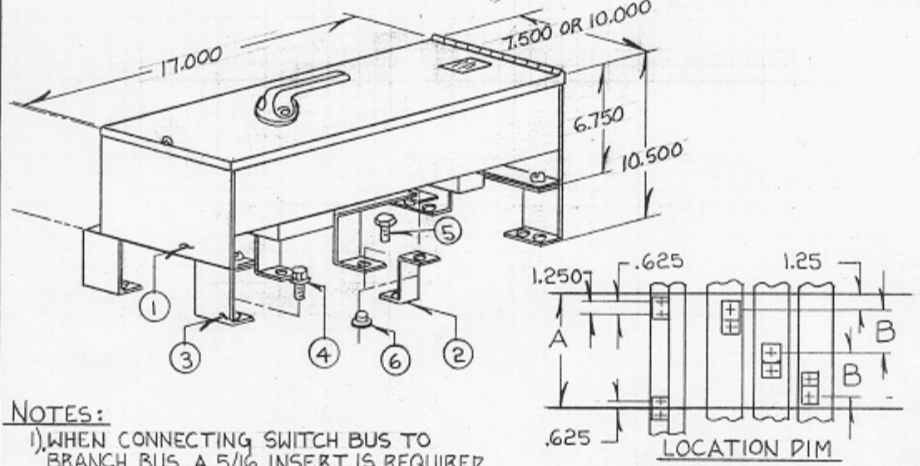


DWG NO. 11-B-2006-00  
 REV 2  
 SH 1

REVISIONS				
REV	C.N.	DESCRIPTION	DATE	BY
0	1A036		8-26-88	K
1	1A924		5-24-91	RA
2	1B-908		4-20-95	Raw



- NOTES:**
- 1) WHEN CONNECTING SWITCH BUS TO BRANCH BUS, A 5/16" INSERT IS REQUIRED IN ALUM. (ONLY) BRANCH BUS.
  - 2) WHEN MULTIPLE UNITS ARE INSTALLED, EACH MOUNTING BRACKET SUPPORTS ONE CORNER OF TWO (2) UNITS.

A	B
7.500	2.500
10.000	3.750

FOR FUSIBLE CAT. NOS.	
7 1/2" UNITS	10" UNITS
V7E2204	V7F3204
	V7F2604
	V7F3604

TORQUE VALUES
50 IN.-LBS. AL.
72 IN.-LBS. CU.

**⚠ DANGER**

Hazardous voltage.  
Will cause death or serious injury.

Keep out.  
Qualified personnel only.  
Disconnect and lock off all power before working on this equipment.

**CONFIDENTIAL - Property of Siemens Industry, Inc.**

UNLESS OTHERWISE SPECIFIED DIMENSIONS ARE IN INCHES TOLERANCES ARE NON-CUMULATIVE AND ARE AS FOLLOWS UNLESS SPECIFIED OTHERWISE.		<b>Siemens Industry, Inc.</b> Norcross, GA	
xxx ± .030 xxx ± .015 ANGULAR ± 2° DO NOT SCALE DRAWING		<b>VACU-BREAK MOUNTING</b> <b>▲ F2 BRANCH BUS KIT</b> 7.500" & 10.000" SINGLE UNIT	
DWN L. PAGE	DATE 3-22-88	SIZE	FSCM NO.
CHK <i>K</i>	DATE 7-19-88	A	DWG NO. 11-B-2006-00
APVD SH	DATE 9-21-80	SCALE NTS	REV 2
		SHEET 1 OF 3	

FOR USE WITH 7.5" AND 10" HIGH SINGLE UNITS (200A)  
MOUNTED IN SPP/FPP/S5/F2/P5 PANELBOARDS (DEEP BOX).

Apvd SH	ITEM	DESCRIPTION	PC. NO.	QTY.
5-12-95	1	FUSIBLE SWITCH	CAT. NO. *	1
	2	VACU-BREAK BRANCH BUS	11-7025-01	3
	3	VACU-BREAK MOUNTING BRACKET	11-6043-01	4
	4	1/4-20 X 3/8 SHWHSW	11-1553-02	8
	▲ 5	STRAP-BUS HARDWARE KIT	11-B-2022-05	1
	6			
	7	NEUTRAL LUG ASSEMBLY	12-B-2105-05	1
	8			
	9			
	10			
	11			
	12			
	13			
	14	INSTRUCTION SHEET	31-1242-01	1
15	CARTON LABEL	15-A-1027-01	1	
16	CARTON	48000989	1	
17				
18				
19				
20				
21				
22				
23				
24				
25				
26				
27				
28				
29				
30				
31				
32				
33				
34				
35				
36				
37		* VACU-BREAK CAT. NO. F671D		
38		7 1/2" UNITS - FOR FUSIBLE SWITCH CAT. NOS.		
39		V7E2204		
40		10" UNITS - FOR FUSIBLE SWITCH CAT. NOS.		
41		V7F3204, V7F2604, V7F3604		
42				
43				
44		MERCHANDISE KIT NO. F671D		
Revisions 0: 1B-9084:1E-166B 12-11-09 1:1C-831A 04-12-04 2:1C-831B 07-24-06 3:1E-053A 1-10-07				
Chk SH	5-12-95			
By RAW	5-12-95			
Confidential - property of Siemens Industry Norcross, GA		<b>VACU-BREAK MOUNTING</b> <b>COPPER BRANCH BUS F2</b> Title		11-B-2006-03 Dwg No. Sht. 1 Of 1
				4
				Rev.