

# Rainproof Combination Metering

Enclosure  
Type 3R

Catalog Number  
**JC0404L1400FDS**

**Class CTL Panelboard**

Device Rating: 400 Amp, Max; 120/240 Volts ~, 1 phase, 3 wire

Meter Socket Rating: 400 Amp Max. 320 Amp Continuous

For installation by Qualified Person in accordance with all local electrical codes and/or the National Electrical Code.®

**Suitable Only For Use As Service Equipment**

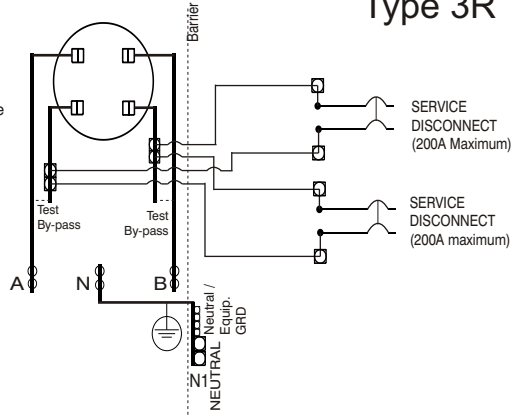
**For Underground Service Only**

**Terminals Suitable for 60°/75° C Copper or Aluminum Conductor**

Unused neutral branch terminals may be used to terminate equipment grounding wires in the combinations indicated for equipment ground bar terminals.

**General Information:**

Circuit breaker trip position is indicated by handle position midway between ON and OFF. To reset, move handle to OFF position then turn ON.



**Line Terminals:**

Provisions for UL listed one or two hole NEMA mounting terminals.  
Compression terminals to #750 kcmil, single conductor, ILSCO type ACL or 2ACL.  
Installation Tool : THOMAS & BETTS # TBM8 for #10-350kcmil(AL), #8-500kcmil(CU) TBM8-750M-1 for #8-750kcmil(CU/AL)

**Tightening Torques:**

5/16" Nuts(1/2" Drive).....130-140 in-lbs  
3/8" Nuts(9/16" Drive).....240-260 in-lbs  
1/2" Nuts(3/4" Drive) .....490-540 in-lbs

**Test By-Pass Nut**

Torque 35-40 in-lbs

**Load, Neutral and Ground\* Terminals:**

Terminal	Wire Size	Torque
A, B, N SUK350TA SUK600TA SUK1000TA	(2) #6-350kcmil #2-600kcmil 500-1000kcmil	275 lb-in 375 lb-in 500 lb-in
N1	300 Kcmil - #4	250 lb. in.
Neutral Bar/ Ground Bar (2/0-14)	#10 - #14 CU #10 - #12 AL #8 2/0 - #6	35 in-lbs 35 in-lbs 40 in-lbs 45 in-lbs

Equipment Ground:  
ECGB5, ECGB10, ECGB14

If hub is required, use the catalog numbers listed below:

Trade size (in)	Catalog number
<i>HD Type Hub (bottom endwall)</i>	
2"	EC56854
2 1/2"	EC56855
3"	EC56856
3 1/2"	EC56857
4"	EC56858
Closure Plate	EC56933S

\* Only Equipment Ground Terminals may use more than one wire per terminal.

Ground Terminal Size	Wire Range	Torque
#4-#14 (ECGB)	(1, 2 or 3) #14	20 lb-in
	(1 or 2) #12-#10	20 lb-in
	#8	25 lb-in
	#6-#4	35 lb-in

**Accessories:**

Filler Plate QF3 or ECQF3  
200 Amp Main Breaker QN2200RH  
150 Amp Main Breaker QN2150RH  
LUG #6-350 kcmil SUK350TA  
LUG #2-600 kcmil SUK600TA  
LUG 500-1000 kcmil SUK1000TA

**WARNING:**

**Removal of meter does not de-energize circuit when By-Pass provided.**

Short Circuit Current Rating (Wathour Meter not included in short circuit rating)

This panelboard has a short circuit current rating of 22,000 Amps RMS symmetrical, 120/240 V~. The correct circuit breakers to be used for various short circuit current levels are listed in the tabulation below. Any circuit breaker installed, replaced, or added in this panelboard must be manufactured by Siemens (Murray Brand) and must be of the correct type as indicated in the tabulations below.

SERVICE DISCONNECTS	Then the maximum short circuit current rating in RMS Symmetrical Amperes 120/240V AC is
When the installed service disconnect is a type	
NONE or MP-T, MD-TR	10,000
NONE or MP-HT, MD-HTR	22,000

MANUFACTURING DATE:

J2

4099913 REV. B

**Important** Do not spray or allow any petroleum based chemicals, solvents, or paint to contact interior components.

©The National Electrical Code is a registered trademark of the National Fire Protection Association.

©2007 Copyright Siemens Energy & Automation, Inc.

**Murray Electrical Products**  
Siemens Energy & Automation, Inc.  
Alpharetta, Georgia U.S.A.

ASSEMBLED IN MEXICO

**MURRAY**