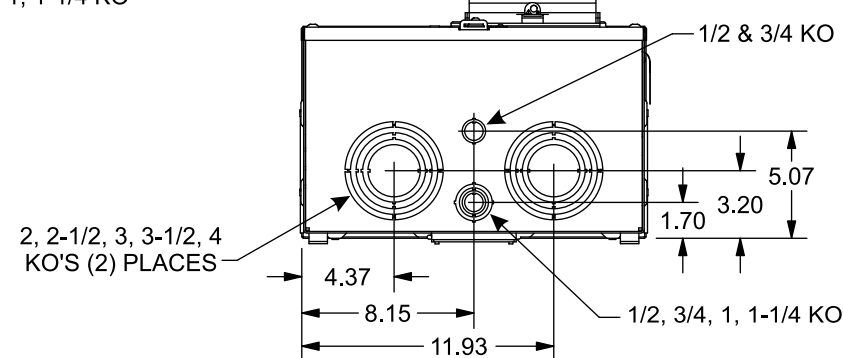
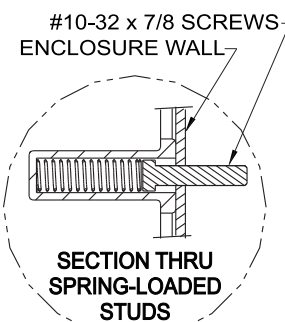
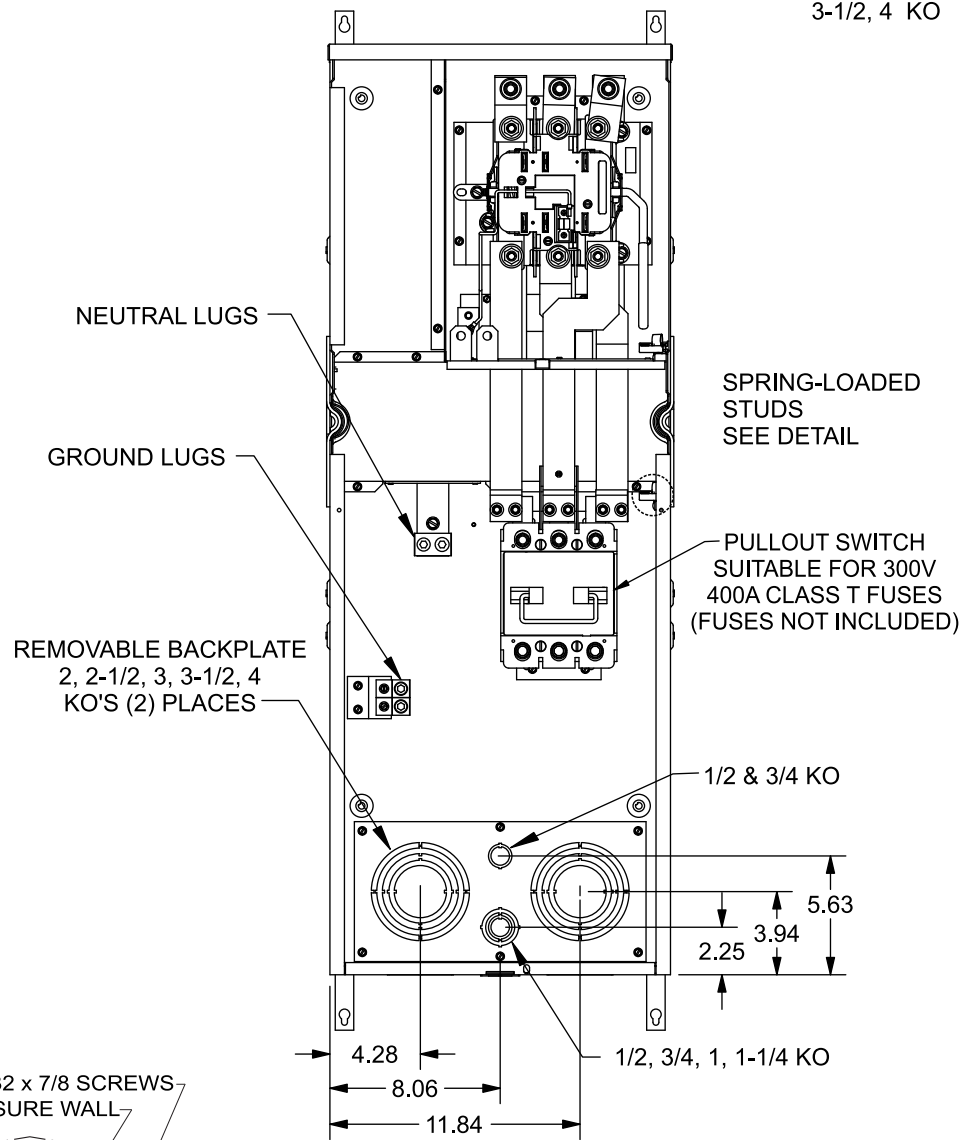
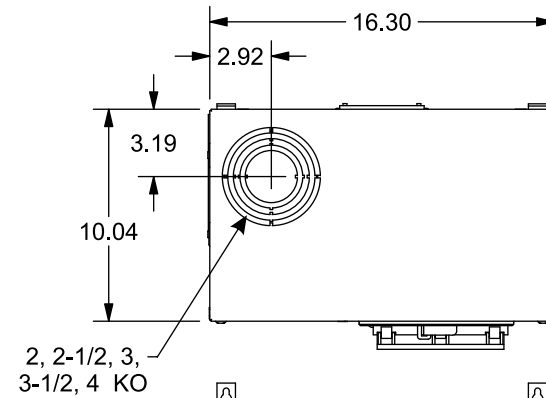


Catalog Numbers, Ratings and Features

| Catalog No. | Max. Branch Rating | Main Bus, 1200A Max. | Meter Socket Cover | Meter Socket Type/ Continuous Rating | No. of Jaws | Bypass Type | Neutral Lug Wire Range | Equip Ground Lug Wire Range |
|-------------|--------------------|----------------------|--------------------|--------------------------------------|-------------|-------------|--|-----------------------------|
| ML13400RJFS | 400A | 3 Phase | Ringless | HQ-7S / 320A | 7 | Lever | (1)or(2) 3/0-500 CU (1)or(2) 4/0-500 AL | (2) #4-300 kcmil |

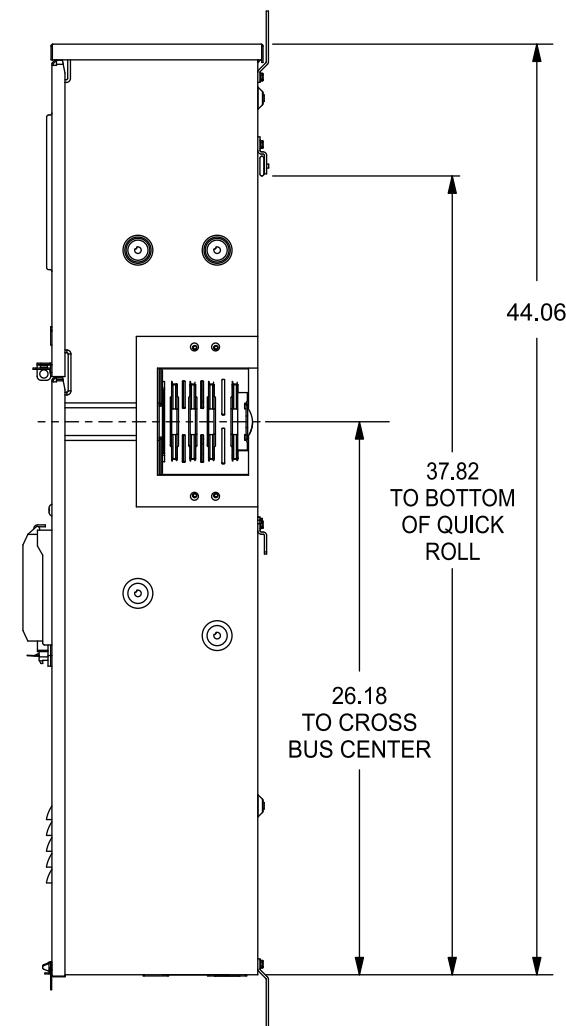
- TYPE 1 INDOOR ENCLOSURE
- 208Y/120 VOLTS AC, 3 PHASE, 4 WIRE
- 240/120 VOLTS AC, 3 PHASE, 4 WIRE DELTA
- CLASS T FUSED SWITCH (FUSES NOT INCLUDED)
- 3 PHASE INPUT, 3 PHASE OUTPUT
- 100,000 AIC RATING MAX.
- MOUNTING RAILS AND ADJUSTABLE BRACKETS FOR SECURE MOUNTING



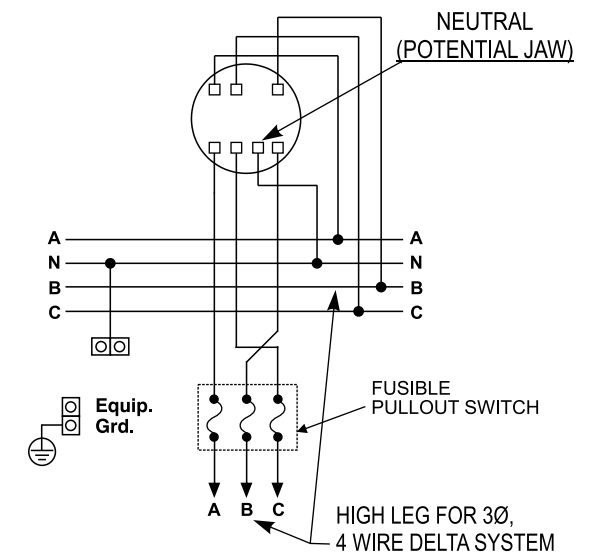
Additional Modules and Accessories

| Module Description | For Use with Siemens Series# |
|--------------------|---|
| Main Breakers | (W)MC, WB, WEB, WXB |
| Switches | WMP, WMS, WS, WES |
| Tap/Terminal Boxes | WMTB, WTB, WET, WT_PU |
| Pull Boxes | WMMB |
| Meter Module | (W)MM, WxMM, (W)MT, (W)ML, (W)MK, (W)MLZ(F) |
| Meter Combinations | WC, WCL, WCT |
| Extension Box | WMEX, WSP, WSPD |
| Bussed Elbow | BE |

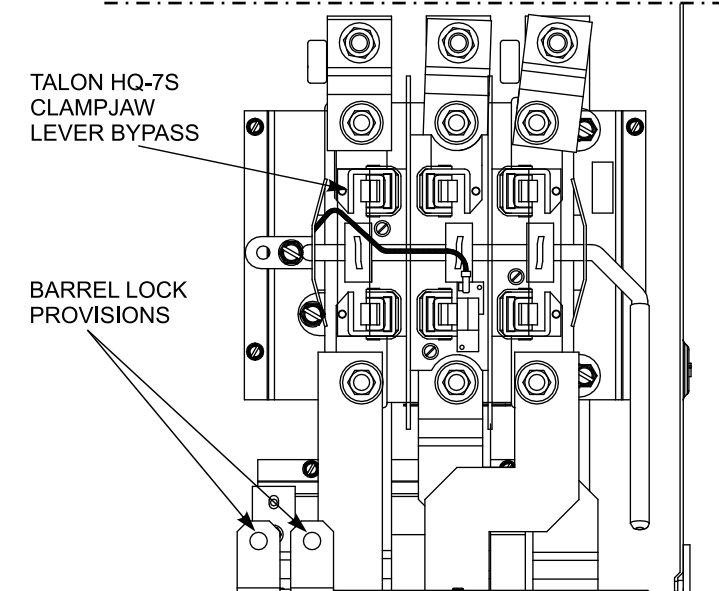
| Connect Modules Using: | Catalog Number / Torque |
|------------------------|---|
| QuickConnect | QC4 (3ph) 400-440 lb-in (35-36 ft.-lb.) Torque |



Schematic



Enlarged Socket Detail



© 2016 Copyright Siemens Industry, Inc.

SIEMENS
Siemens Industry, Inc.

PowerMod Meter Stack

Description: **Lever Bypass, 1 Position 400A Tenant 3in-3out Indoor Commercial Metering Module (100k)**

KAM
1/5/16

DO NOT SCALE
DRAWING

Dwg. No.

ML13400RJFS