



1 Pole Branch Feeder Arc-Fault Circuit Interrupters

Plug-in and Bolt-on

Data Sheet

Features

- Plug-in or bolt-on branch circuit breakers for Siemens single phase load centers
- LED trip indicator – a Siemens exclusive!
- Available with interrupting rating of 10kA, 22kA or 65kA
- UL Listed
- CSA certified
- Ratings:
 - HACR
 - SWD
- 120 Volts AC
- Wire range:
 - #14 – #8 AWG Cu
 - #12 – #8 AWG Al
- Torque rating: 25 lb. in.
- Padlocking device available, use catalog number ECPLD1
- New and improved electronics
- 1/4" more wiring bend space than our previous design
- Both lugs at the same angle - for easier wiring

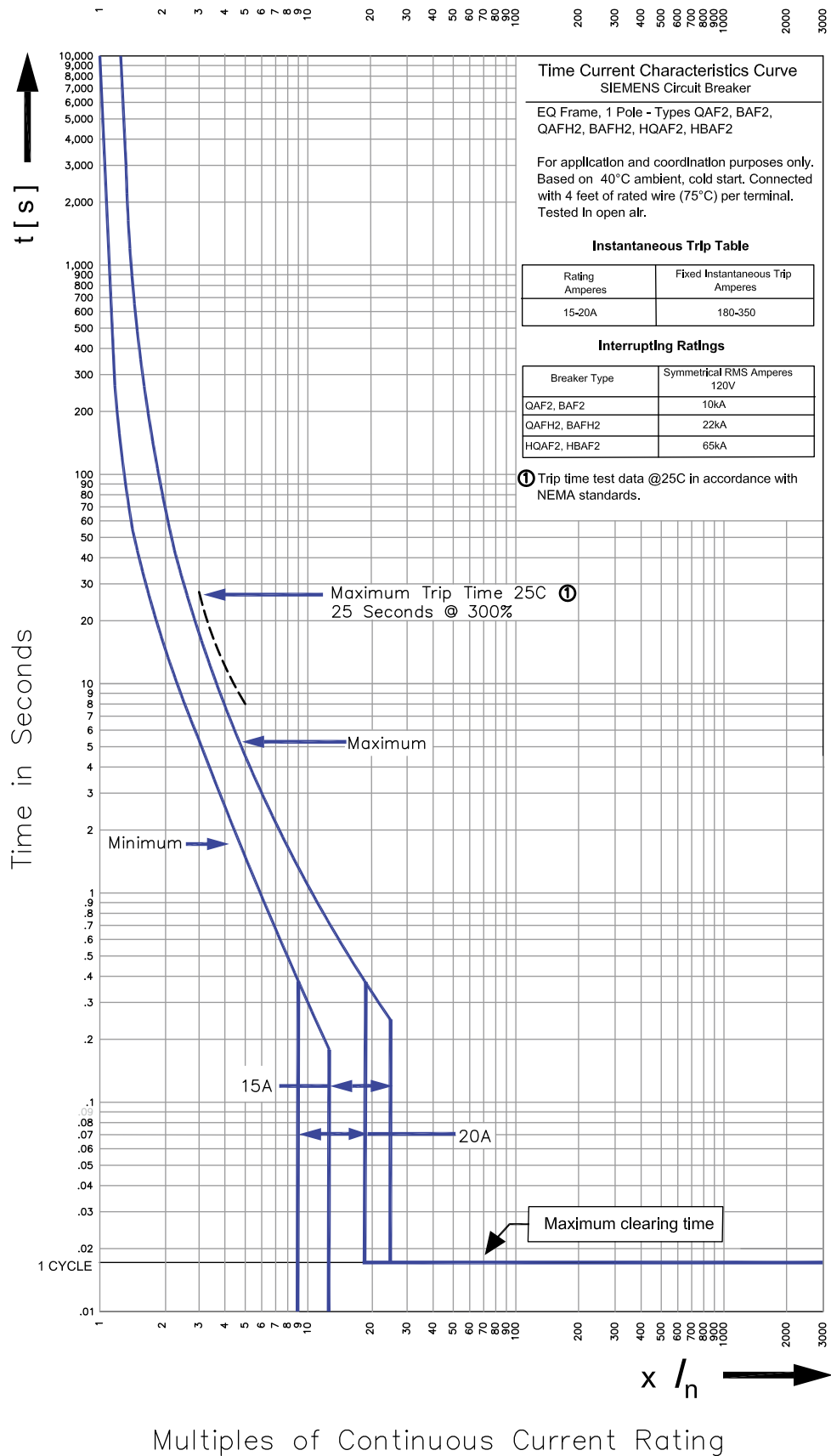
1-Pole Plug-in Arc-Fault Circuit Interrupters

Catalog number	Ampere rating	Interrupting rating	Breaker type
QA115AF	15	10kA	QAF2
QA120AF	20	10kA	QAF2
QA115AFH	15	22kA	QAFH2
QA120AFH	20	22kA	QAFH2
QA115AFHH	15	65kA	HQAF2
QA120AFHH	20	65kA	HQAF2

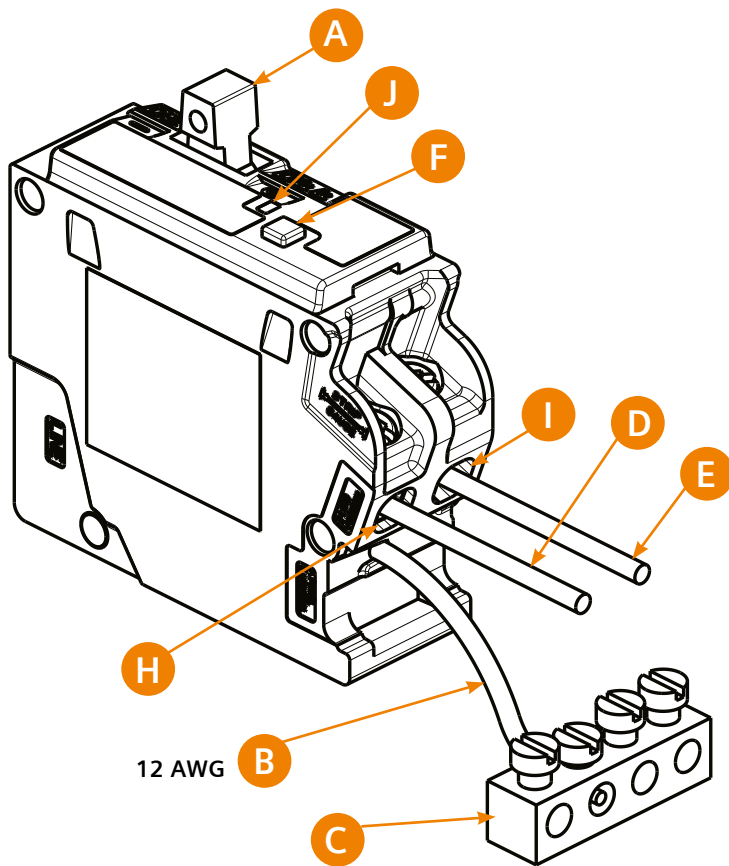
1-Pole Bolt-on Arc-Fault Circuit Interrupters

Catalog number	Ampere rating	Interrupting rating	Breaker type
BA115AF	15	10kA	BAF2
BA120AF	20	10kA	BAF2
BA115AFH	15	22kA	BAF2H
BA120AFH	20	22kA	BAF2H
BA115AFHH	15	65kA	HBAF2
BA120AFHH	20	65kA	HBAF2

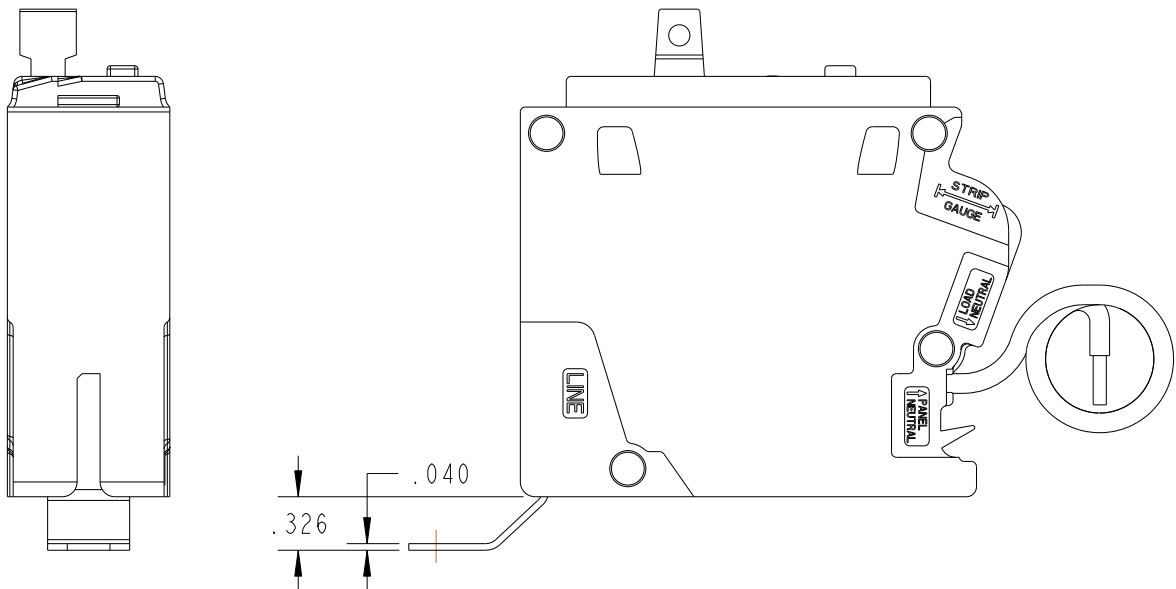
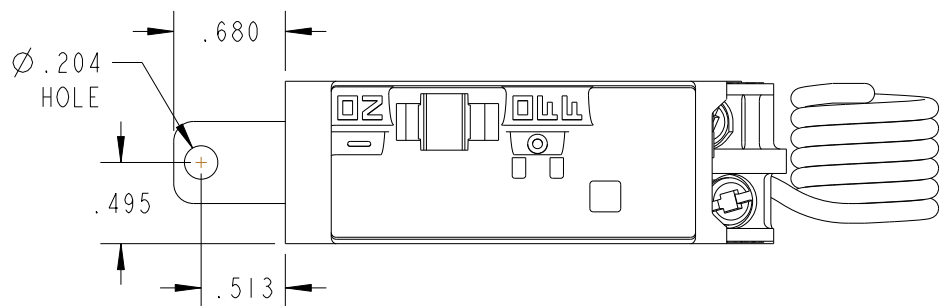
Time Current Characteristic Curves



Dimensions

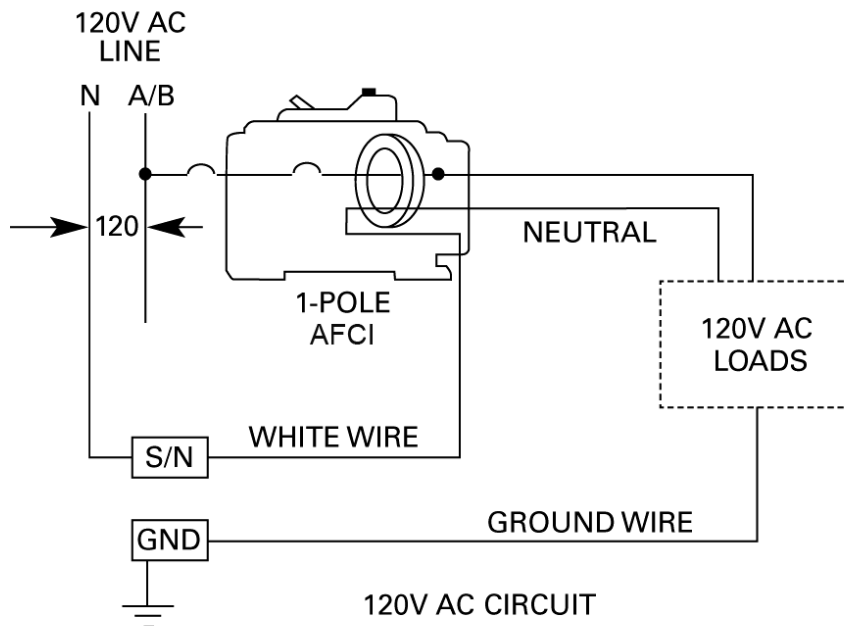


A	Breaker handle
B	Neutral (pig-tail) wire
C	Panel neutral
D	Load neutral wire
E	Load power wire
F	Petrol test button
H	Neutral terminal
I	Power terminal
J	1 yellow LED



Wiring diagram

1-Pole (1" wide)



Siemens Industry, Inc.
5400 Triangle Parkway
Norcross, GA 30092

1-800-241-4453
info.us@siemens.com

Order No. RPFL-BRANC-0214 | Printed in USA |
© 2014, Siemens Industry, Inc.

www.usa.siemens.com/afci

The information provided in this flyer contains merely general descriptions or characteristics of performance which in case of actual use do not always apply as described or which may change as a result of further development of the products. An obligation to provide the respective characteristics shall only exist if expressly agreed in the terms of contract.

All product designations may be trademarks or product names of Siemens AG or supplier companies whose use by third parties for their own purposes could violate the rights of the owners.