

Catalog Numbers, Features and Ratings

- MAIN BUS RATING: 1200 AMPS 240V AC MAX.
- METER SOCKET RATING: 125 AMPS CONTINUOUS
- 65,000 AIC RATING MAX., 125 AMPS MAX. BRANCH RATING
- 3 PHASE INPUT / 1 PHASE OUTPUT
- TYPE 3R OUTDOOR ENCLOSURE
- MOUNTING RAILS AND ADJUSTABLE BRACKETS FOR SECURE MOUNTING

Catalog No.	Main Bus	Branch Rating	Meter Positions	Cover Type	5th Jaw	Horn Bypass
WMM32125J	3 Phase	125A Max.	3	Ring	Installed	
WMM32125RJ	3 Phase	125A Max.	3	Ringless	Installed	
WMM32125RJB	3 Phase	125A Max.	3	Ringless	Installed	Installed

Accessories

Description	Catalog No.
Horn By-Pass Mod	ECMFH
End Closure Plate	WMEP
5th Jaw Mod	ECMF5
Meter Cover Plate	ECCP3
Meter Socket	ECMFS
125A Breaker Mounting	ECMFBM1
Meter Cover, Ring Type	ECMFMC
Meter Cover, Ringless	ECMFMC R
Parts Kit	ECMFPK
Load Cover Screws	ECMFCS
Bottom Pull Cover	ECMFC
Mounting Rail	MMRAIL
Mounting Clip	MMCLIP
Quick Phase Strap	ECMFPS
Breaker Cover Repl.	ECBC
Mounting Tabs (2)	ECMFTAB
Ground/Ntl Bar Kit	ECMFGN125
Ringless Conversion Kit	ECMMRLCK
Back Rail/Clip	ECMFWLCLIP
Wall Mounting Rail (60")	MMZR60
QP Breaker Retainer	ECMBR2
KO Plate with Knockouts	ECMMKOP
KO Plate w/o Knockouts	ECMMNKOP

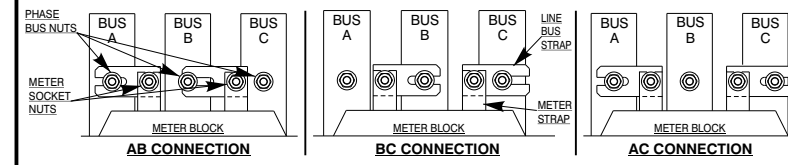
Additional Modules

FOR USE WITH:	Siemens Series#	Murray Series#
Main Breakers	(W)MC, WB, WEB	DB W
Switches	WMP, WMS, WS, WES	DPT W, DT W
Tap/Terminal Boxes	WMTB, WTB, WET	DTB W
Pull Boxes	WMMB, WPB, WAPB	DPB W
Meter Module	WMM, WxMM, WMT, WML, WMK	DG W, DC W, DL W
Extension Box	WMEX, WSP	DS
Bussed Elbow	(W)BE	DL

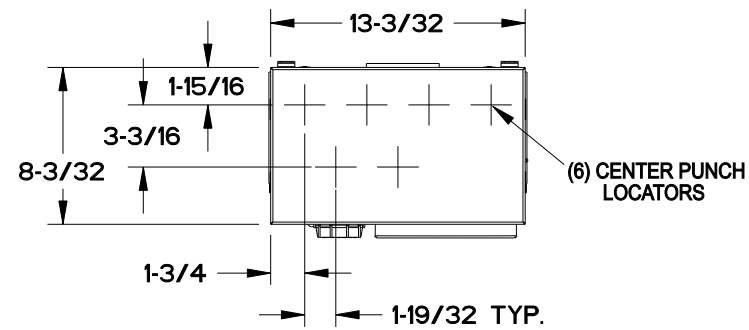
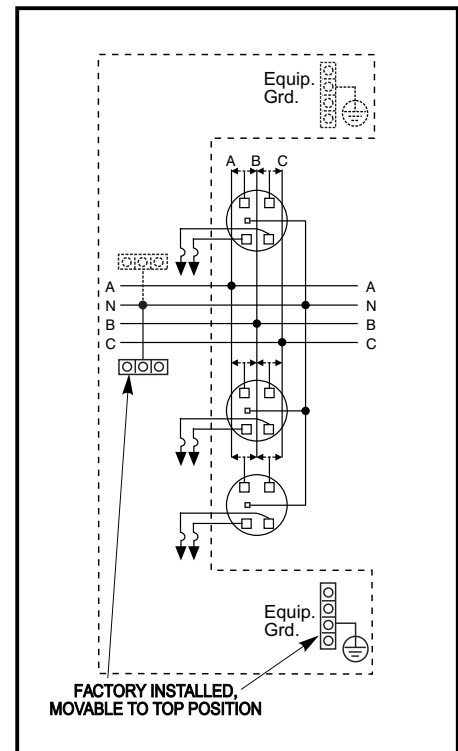
Connect Modules Using:	Catalog Number / Torque
QuickConnect	QC4, Torque 400-440 lb-in (35-36 ft.-lb.)
Single Bolt Joint	SBJ4, Torque 400-480 lb-in (35-40 ft.-lb.)

Rephasing Instructions

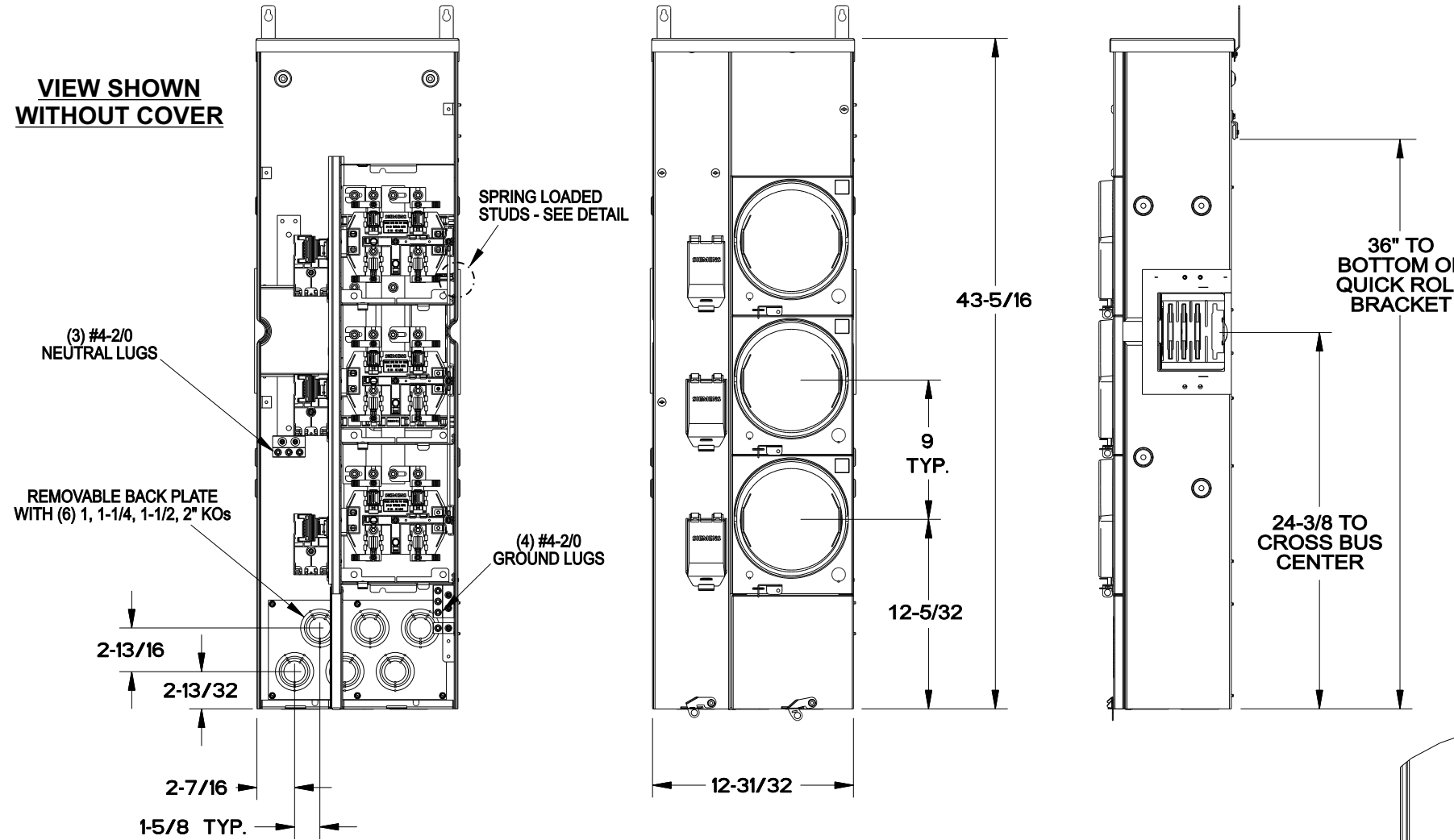
Factory installed phasing is AB, BC, and AC, top to bottom. Each meter socket can be phased AB, BC, or AC by repositioning line bus straps. If a different phase arrangement is needed, loosen hex nuts and reconnect one or both line bus straps, then retighten the hex nuts to 60-65 lb.-in. Tighten hex nut at meter socket first, then tighten hex nut on vertical phase bus.



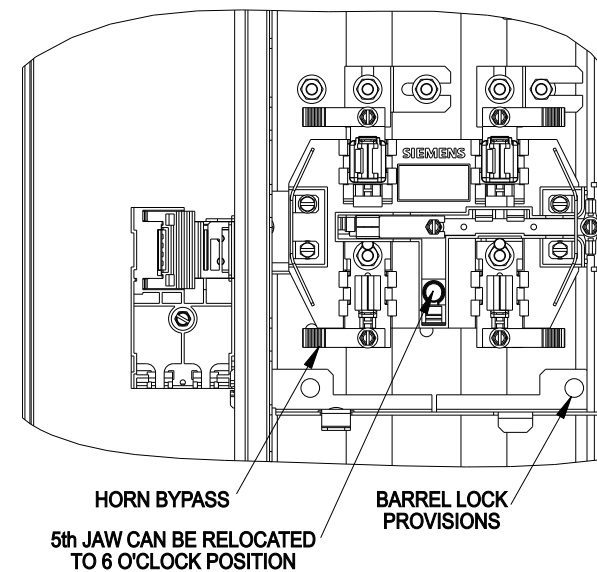
Schematic



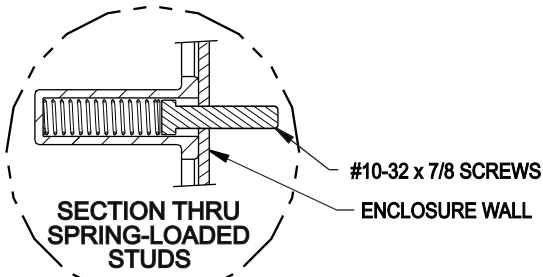
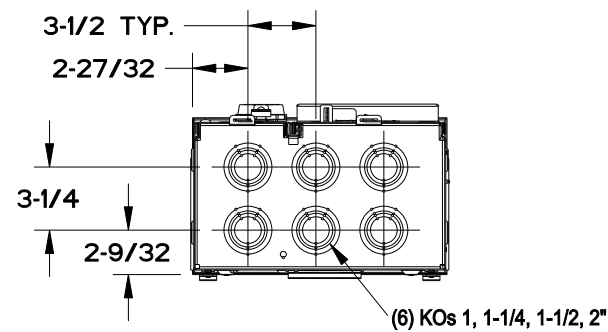
VIEW SHOWN WITHOUT COVER



ENLARGED SOCKET DETAIL



WMM32125RJB SHOWN



© 2010 Copyright Siemens Industry, Inc.

Siemens Industry, Inc.
Building Technologies Division

PowerMod™ Meter Stack

Catalog Numbers: **WMM32125J, WMM32125RJ, WMM32125RJB**

Size B Dwg. No. **125A_3Ph_3Pos**

Dwn KAM Date 1/27/10 DO NOT SCALE DRAWING SHEET 1 OF 1