

# SIEMENS

## Indoor/Outdoor Service Entrance Module

Catalog Number

- WB3600C**  
 **WB3600CU**

Enclosure

**Type 3R**

### Module Rating:

600 Amps, Max; See main breaker for actual rating.  
 208Y/120 Volts~, 3 Phase, 4 Wire  
 240/120 Volts~, 3 Phase, 4 Wire, Delta (B Phase is High Leg)  
 240 Volts~, 3 Phase, 3 Wire

For installation by Qualified Person in accordance with all local electrical codes and/or the National Electrical Code ©.

**Suitable Only For Use As Service Equipment** unless bond strap is removed and ground lug is relocated to back of enclosure. See schematic. Apply appropriate label provided next to breaker handle.

For overhead or underground service. When LLP600 is installed, installation is underground only.

### Use 75°C Copper or Aluminum Conductors.

Terminals A, B, C and N: Wire size (2) 3/0-500 kcmil CU or (2) 4/0-500 kcmil AL. Torque terminals to 300 lb.-in.

Ground terminal G: Wire size #4-250 kcmil. Torque terminal to 250 lb.-in.

Circuit breaker trip position is indicated by handle position midway between ON and OFF. To reset, move handle to OFF position, then turn ON.

### Short Circuit Current Rating

This device has a maximum short circuit current rating of 100,000 amps RMS symmetrical at 240 Volts ~. The actual short circuit current rating is limited to the interrupting capacity of the circuit breaker installed. Replacement breakers must be manufactured by Siemens and must be of the correct type and rating as indicated in the table below. Use of other circuit breakers in this device will void the warranty.

| Breaker Type | Rating   |
|--------------|----------|
| LXD6-A       | 65k AIC  |
| HLXD6-A      | 100k AIC |

USE ONLY NON-INTERCHANGEABLE TRIP BREAKER TYPES

See adjacent labels for additional marking information.

49311197

Siemens Industry, Inc. Norcross, Georgia U.S.A. **D** 409000860101 Rev.B

© The National Electrical Code is a registered trademark of the National Fire Protection Association.  
 © 2009 Copyright Siemens Industry, Inc.

# SIEMENS

### Siemens Accessories

Hub Cover Plate . . . . . EC56933S  
 GND Bar Kit . . . . . ECLX069M  
 Breaker Lug Kit (factory installed) . LK32500 (kit includes 4 lugs)  
 Lug Landing Pad\*. . . . . LLP600 (lugs ordered separately)  
 . . . . . UNDERGROUND USE ONLY

\*Kit contains mounting instructions and NEMA stud pattern for use with mechanical and compression lugs. See table below for recommended lugs.

| Connect Modules Using: | Cat. No. | Torque                        |
|------------------------|----------|-------------------------------|
| Single Bolt Joint      | SBJ4     | 400-480 lb-in (35-40 ft.-lb.) |
| Quick Connect          | QC4      | 400-440 lb-in (35-36 ft.-lb.) |

| Lugs for Phase and Neutral Connections (not supplied) |         |              |             |                     |                  |
|---|---------|--------------|-------------|---------------------|------------------|
| NEMA Lug <sup>①</sup>                                 | MFG     | Wire Range   | Type        | No. Wires per phase | Torque (lb.-in.) |
| LK32350N2   | Siemens | #6-350 kcmil | Mechanical  | 2                   | 275              |
| 2ACL-350  | ILSCO   | 350 kcmil    | Compression | 2                   | NA <sup>②</sup>  |

- ① Order one mechanical lug kit for main breaker and neutral conversions. Contact lug manufacturer for compression lug quantities supplied for each kit.  
 ② See lug manufacturer's instruction sheet supplied with the connector for tool, die, and number of crimps.

### IMPORTANT - for use with:

| Module                       | Siemens Series#                    | Murray Series#   |
|------------------------------|------------------------------------|------------------|
| Main Breakers . . . . .      | (W)MC, WB, WEB . . . . .           | DB W             |
| Switches . . . . .           | WMP, WMS, WS, WES . . . . .        | DPT W, DT W      |
| Tap/Terminal Boxes . . . . . | WMTB, WTB, WET . . . . .           | DTB W            |
| Pull Boxes . . . . .         | WMMB, WPB, WAPB . . . . .          | DPB W            |
| Meter Module . . . . .       | WMM, WxMM, WMT, WML, WMK . . . . . | DG W, DC W, DL W |
| Extension Box . . . . .      | WMEX, WSP . . . . .                | DS               |
| Bussed Elbow . . . . .       | (W)BE . . . . .                    | DL               |

### Use HD Type Hubs if required

| Trade Size (in)  | Catalog No. |
|------------------|-------------|
| 2" . . . . .     | EC56854     |
| 2-1/2" . . . . . | EC56855     |
| 3" . . . . .     | EC56856     |
| 3-1/2" . . . . . | EC56857     |
| 4" . . . . .     | EC56858     |

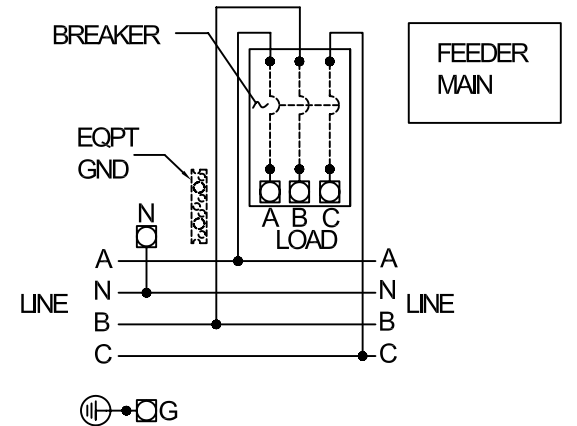
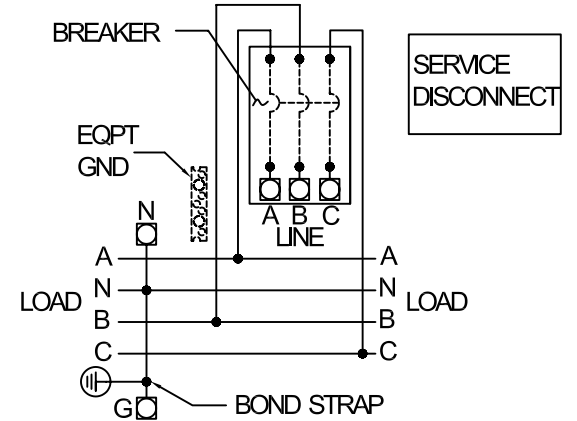
| Equipment Ground Bars  |                        |
|------------------------|------------------------|
| Small Terminals        | Large Terminals        |
| Wire Range / Torque    | Wire Range / Torque    |
| 10-14 AWG . . 20 lb-in | 10-14 AWG . . 35 lb-in |
| 8 AWG . . . . 25 lb-in | 8 AWG . . . . 40 lb-in |
| 6 AWG . . . . 35 lb-in | 1/0-6 AWG . . 45 lb-in |

**Important:** Do not allow petroleum based (hydrocarbon) sprays, chemicals, solvents or any paint to contact interior components. Petroleum based chemicals can cause degradation of electrical insulating materials.

49311198

Siemens Industry, Inc. Norcross, Georgia U.S.A. **D** 409000860201 Rev.B

© 2009 Copyright Siemens Industry, Inc.



4099956 REV. A