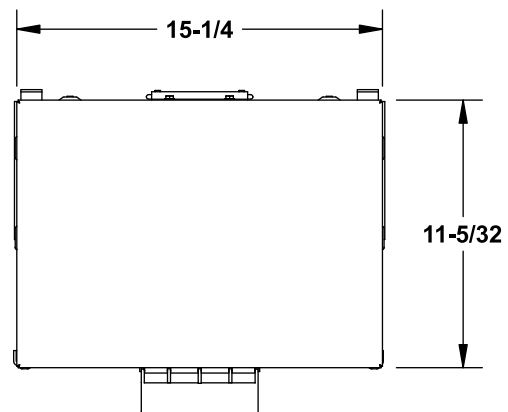


## Features

- TYPE 3R OUTDOOR ENCLOSURE
- MAIN BUS RATING: 1200A MAX.
- 208Y/120 Volts~, 3 Phase, 4 Wire  
240/120 Volts~, 3 Phase, 4 Wire

## Catalog Numbers

Catalog No.	Phase	Amperage Rating, Max.	Maximum Interrupting Rating
WXB3200N	3	200	65,000
WXB3200NU	3	200	100,000
WXB3250N	3	250	65,000
WXB3250NU	3	250	100,000
WXB3300N	3	300	65,000
WXB3300NU	3	300	100,000
WXB3350N	3	350	65,000
WXB3350NU	3	350	100,000
WXB3400N	3	400	65,000
WXB3400NU	3	400	100,000



## Accessories

Ground Bar Kit: Catalog No. ECGB10

Terminal	Wire Size	Torque
Equipment	#10 - #14 CU	20 lb-in
Ground Bar	#10 - #12 AL	20 lb-in
	#8 CU/AL	25 lb-in
	#6 - #4 CU/AL	35 lb-in

USE ONLY NON-INTERCHANGEABLE TRIP BREAKER TYPES

Breaker Type	Rating
JXD2-A	65k AIC
JXD6-A, HJXD6-A	100k AIC

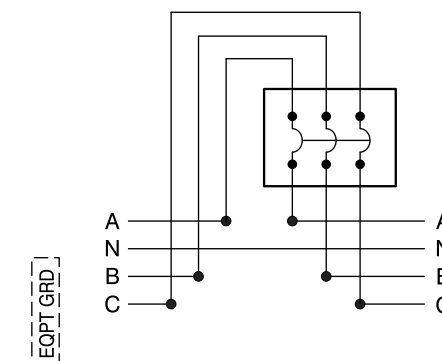
Accessory Description	Catalog No.
Breaker Cover Repl. . . . .	ECMMBCM
Cover Screws. . . . .	ECMFCS
Loose Parts Kit. . . . .	ECMFPK
Mounting Tabs (2) . . . . .	ECMFTAB
QuickRoll Wheel Clip. . . . .	ECMFWLCLIP
End Closure Plate . . . . .	WMEP
Mounting Clip. . . . .	MMCLIP
Wall Mounting Rail (60") . . . . .	MMZR60
Mounting Rail. . . . .	MMRAIL

## Additional Modules

FOR USE WITH:		
Module Description	Siemens Series#	Murray Series#
Main Breakers	(W)MC, WB, WEB	DB W
Switches	WMP, WMS, WS, WES	DPT W, DT W
Tap/Terminal Boxes	WMTB, WTB, WET	DTB_W
Pull Boxes	WMMB, WT_PU	DPB_W
Meter Module	WMM, WxMM, WMT, WML, WMK	DG_W, DC_W, DL_W
Extension Box	WMEX, WSP	DS
Bussed Elbow	BE	DL

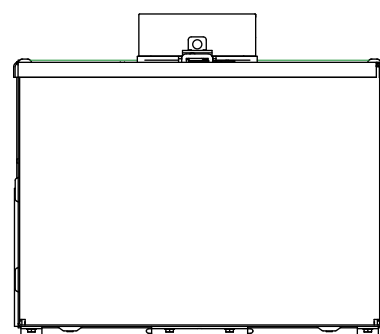
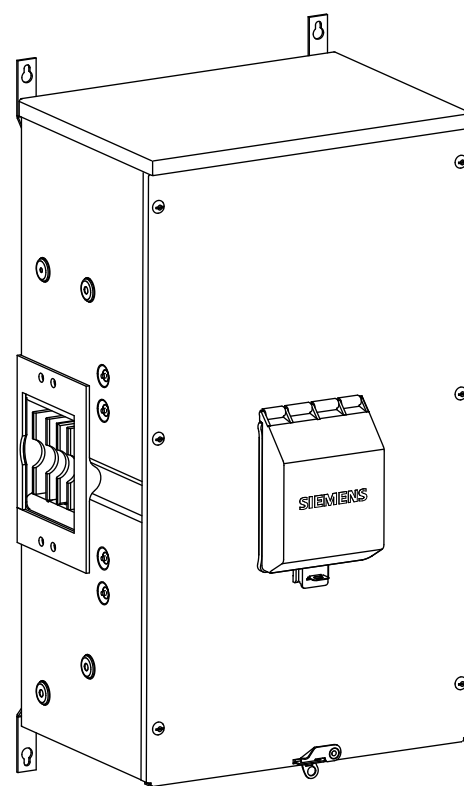
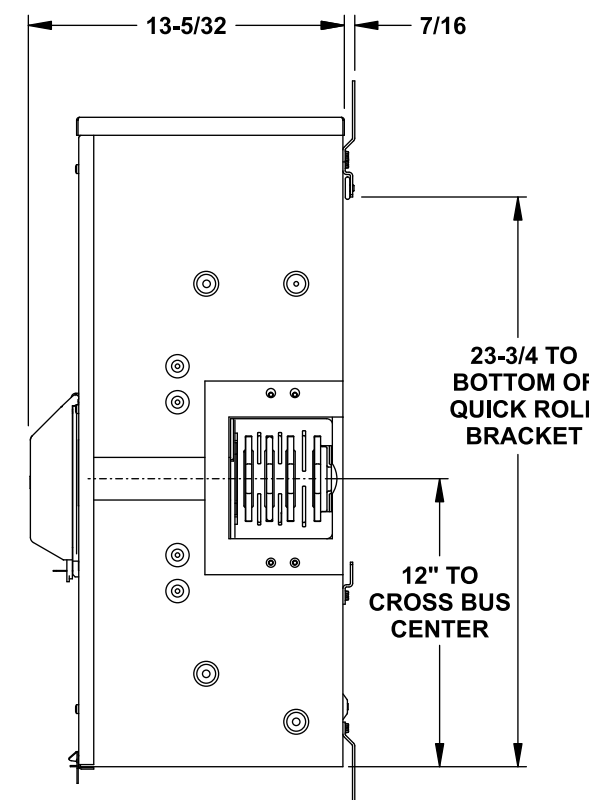
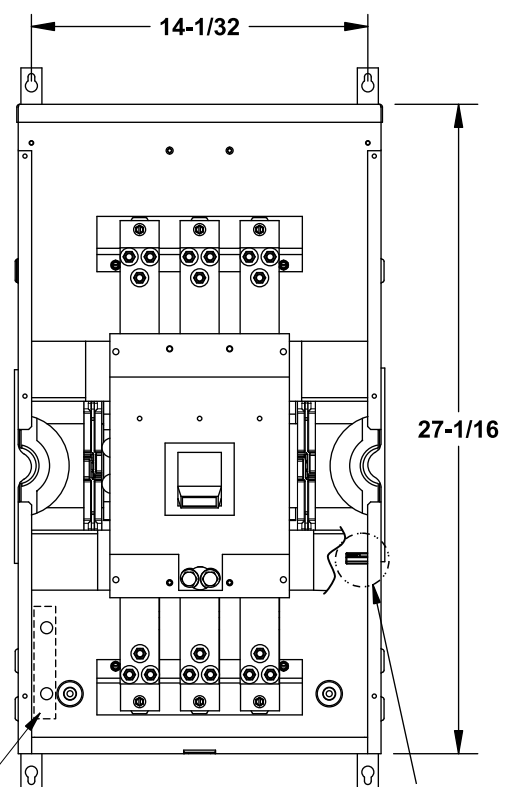
Connect Modules Using:	Catalog Number / Torque
QuickConnect	QC4 (3ph) 400-440 lb-in (35-36 ft.-lb.) Torque
Single Bolt Joint	SBJ4 (3ph) 400-480 lb-in (35-40 ft.-lb.) Torque

## Schematic

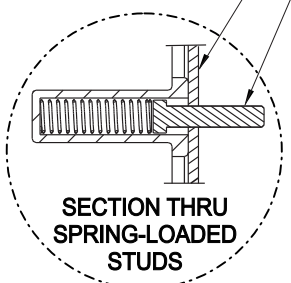


When this module is used as a Service Disconnect, apply "Service Disconnect" label near the breaker handle cover. In all other applications, apply the "Feeder Breaker" label near the breaker handle cover.

### View Shown with Cover Removed



#10-32 x 7/8 SCREWS  
ENCLOSURE WALL



© 2012 Copyright Siemens Industry, Inc.

**SIEMENS**  
Siemens Industry, Inc.

**PowerMod™ Cross Bus Main**

Catalog Numbers:  
**3 Phase, 200-400A, 65k-100kAIC Modules**

Size B Dwg. No. **WXB3200N-WXB3400NU**

Dwn KAM Date 11/2/12 DO NOT SCALE DRAWING SHEET 1 OF 1