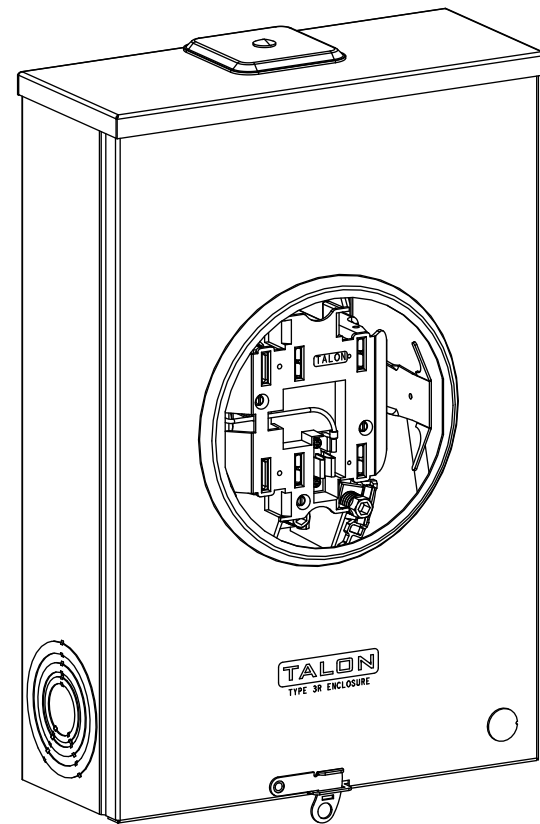


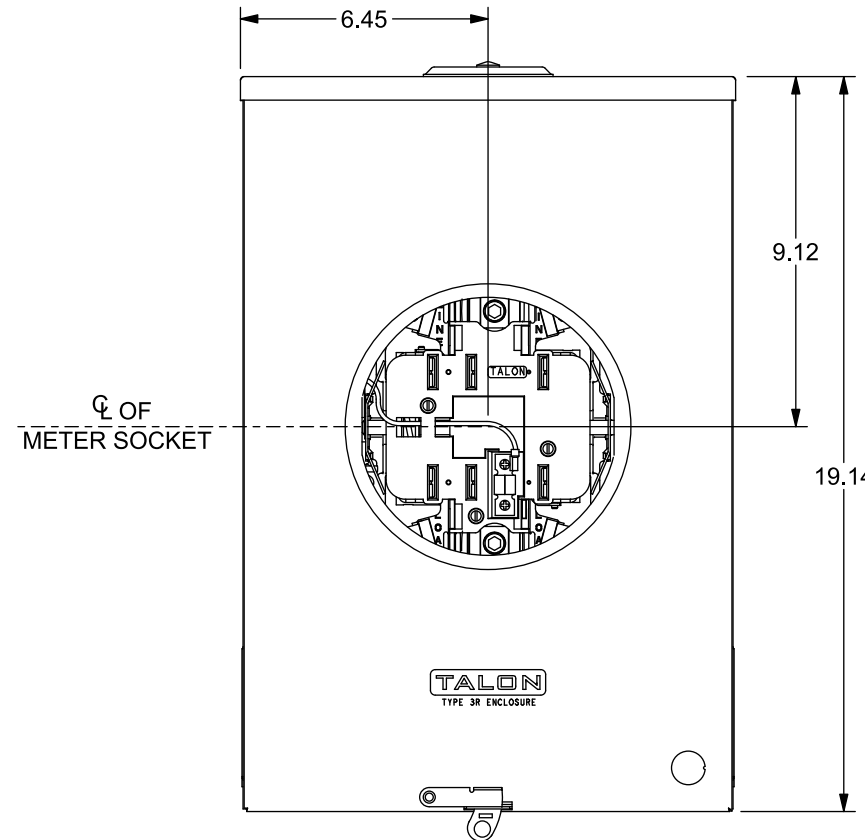
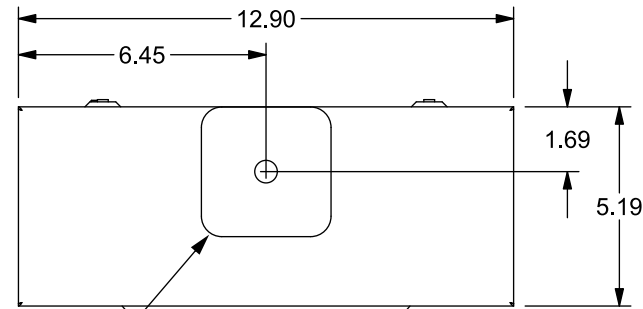
Catalog Number: 40607-02BU

Features and Ratings

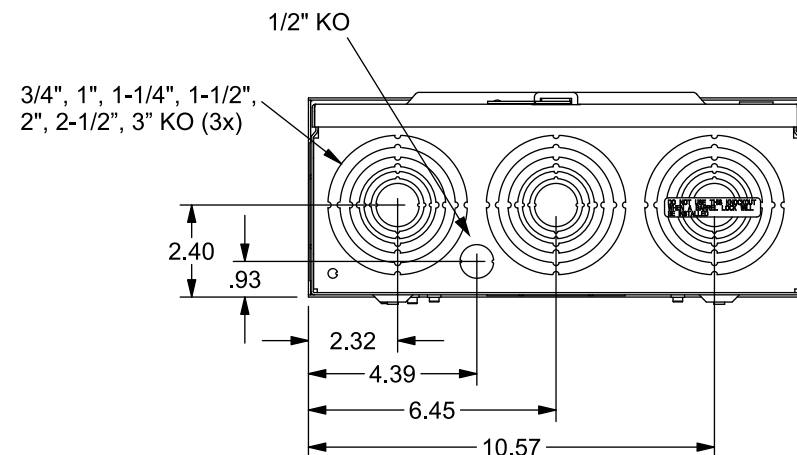
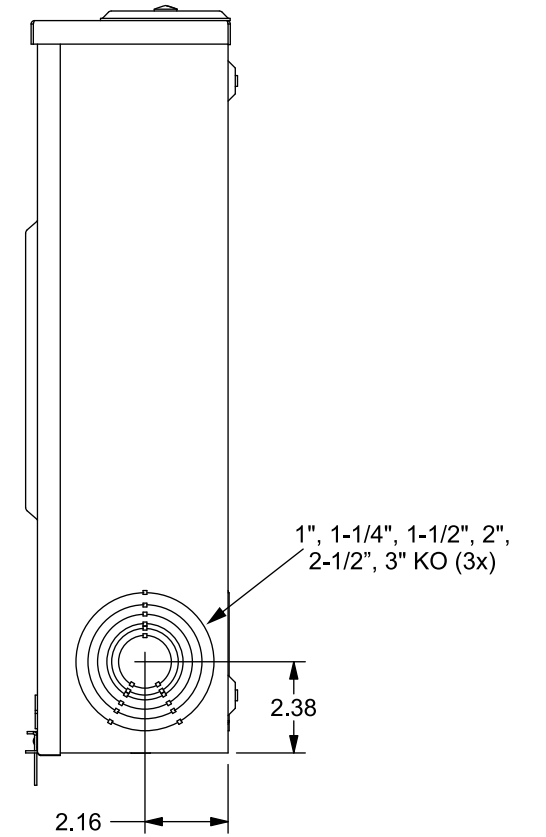
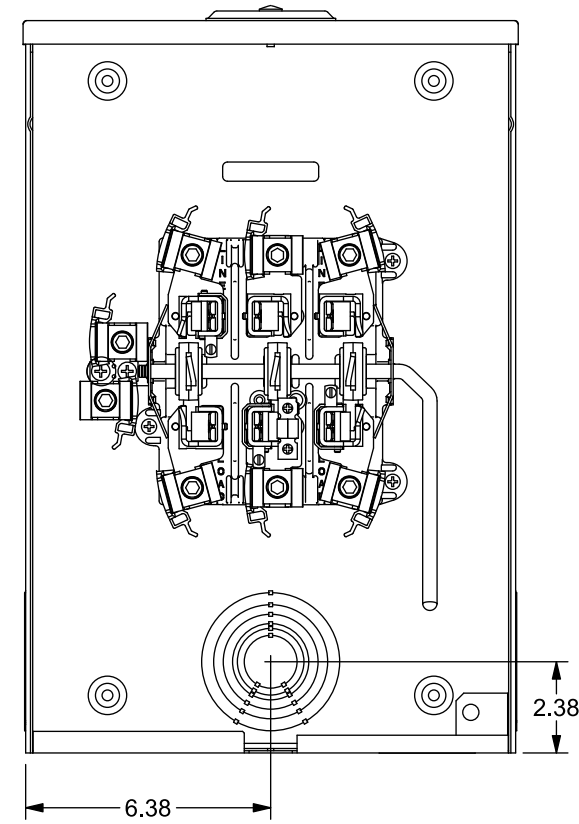
- Ringless Type Meter Socket
- 200A Continuous, 600V AC
- Outdoor Enclosure (NEMA Type 3R)
- Painted G90 Steel Enclosure
- 3 Phase, 4 Wire
- 7 Jaw Meter Socket
- Meter Socket Type MQ-7U
- For Overhead or Underground Service
- Non-Clamping Lever Bypass
- RX Type Hub Opening with Coverplate Included
- 7/8" Barrel Lock with Bracket



TYPE RX (SMALL) HUB OPENING WITH COVERPLATE INSTALLED



VIEW SHOWN WITH COVER REMOVED



Accessories

CONDUIT HUBS (RX Type)	
TRADE SIZE	CATALOG No.
1-1/4 INCH	EC38597 or H38597-2
1-1/2 INCH	EC38598 or H38598-2
2 INCH	EC38599 or H38599-2
2-1/2 INCH	EC38600 or H38600-2
Hub Cover Plate	EC38595 or H38595-1

Meter Opening Cover Plate
Cat No: H659-0162
Insulated Neutral Kits
Cat. No: H64685-1, H64690-1

Connectors, Wire Sizes and Torques

CONNECTOR	PART No.	WIRE SIZE	HEX DRIVE	TORQUE
LINE, LOAD NEUTRAL	..	#6-350 kcmil	5/16"	275 IN-LBS.
GROUND	6509991	#14 - 2 AWG	..	45 IN-LBS.

© 2016 Copyright Siemens Industry, Inc.

TALON
Meter Socket

Description: **200A Cont, 7 Jaw, MQ-7U, 600V AC, Painted Steel Enclosure**

KAM 3/23/16 | DO NOT SCALE DRAWING | Dwg No: **40607-02BU**