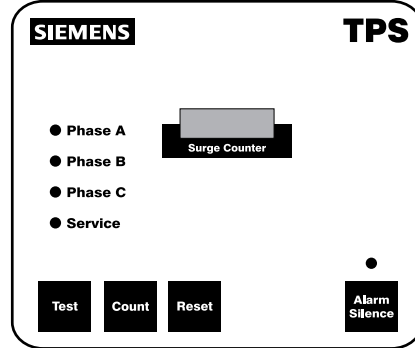


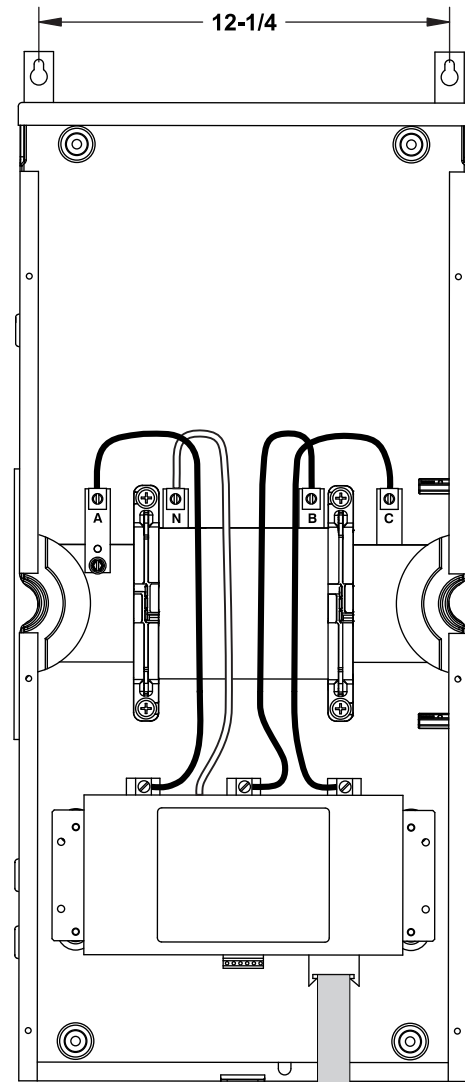
Features

- TYPE 3R OUTDOOR ENCLOSURE
- MAIN BUS RATING: 1200A MAX.
- 100kA MAX. SHORT CIRCUIT CURRENT RATING
- EXTERNAL SURGE ACCESS - TAMPER RESISTANT

Surge Display Enlargement



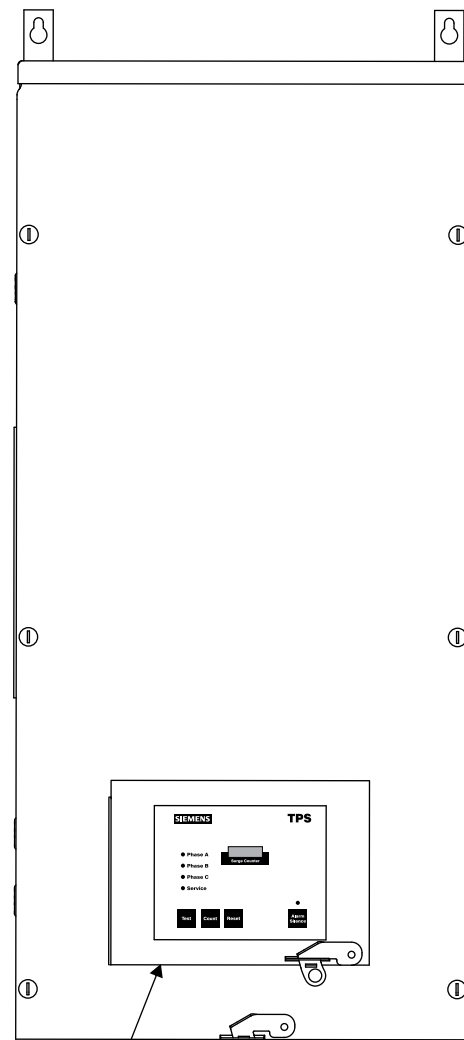
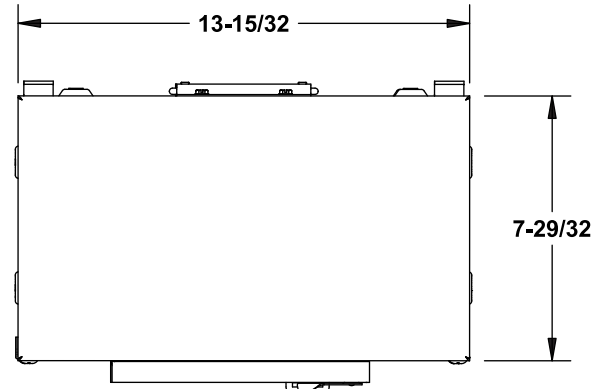
View Shown with Cover Removed



Ribbon Cable connected to Surge Display

Catalog Numbers

Catalog No.	Device Rating	Surge Rating	Replacement SPD
WSPD3N10B	240/120 Volts~, 3 Phase, 4 Wire	100kA	TPS3B0110X0P
WSPD3N10C	208Y/120 Volts~, 3 Phase, 4 Wire	100kA	TPS3C0110X0P
WSPD3N20B	240/120 Volts~, 3 Phase, 4 Wire	200kA	TPS3B0120X0P
WSPD3N20C	208Y/120 Volts~, 3 Phase, 4 Wire	200kA	TPS3C0120X0P
WSPD3N30B	240/120 Volts~, 3 Phase, 4 Wire	300kA	TPS3B0130X0P
WSPD3N30C	208Y/120 Volts~, 3 Phase, 4 Wire	300kA	TPS3C0130X0P



Clear, lockable, hinged cover for surge access

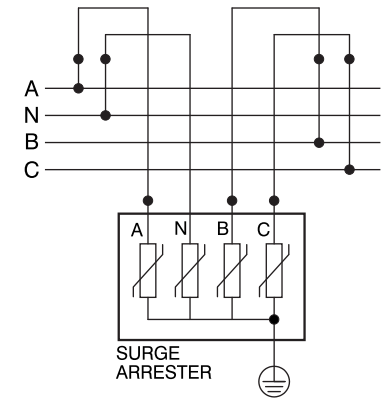
Surge Specifications

Surge Current Rating Per Phase

Per Phase	L-N	L-G	N-G
100kA	50kA	50kA	50kA
200kA	100kA	100kA	100kA
300kA	150kA	150kA	150kA

- 100% MONITORING – EVERY MOV IS MONITORED, INCLUDING N-G
- EMI/RFI FILTERING: ACTIVE TRACKING UP TO -50db FROM 10kHz TO 100MHz
- REPETITIVE IMPULSE: 5,000 HITS
- LESS THAN 1/2 NANOSECOND RESPONSE TIME
- RELATIVE HUMIDITY RANGE: 1-95% NON-CONDENSING
- OPERATING FREQUENCY: 47-63Hz
- OPERATING TEMPERATURE: -25°C (-15°F) TO +60°C (140°F)

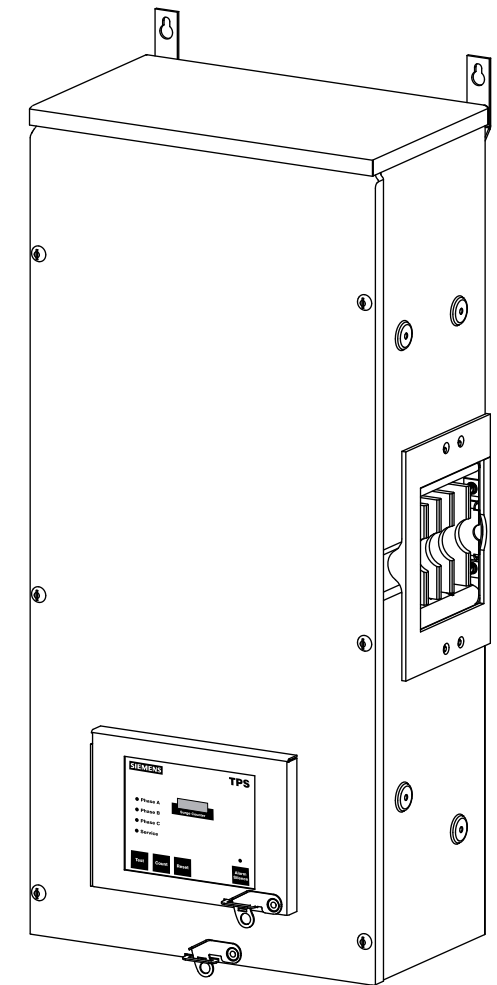
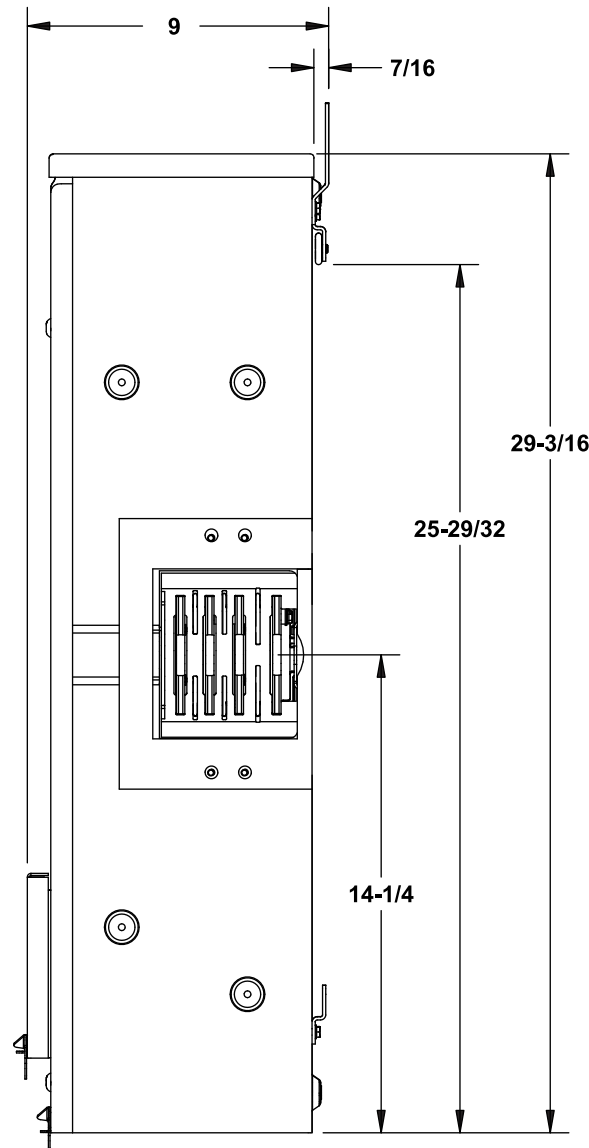
Schematic



Additional Modules

FOR USE WITH:		
Module Description	Siemens Series#	Murray Series#
Main Breakers	(W)MC, WB, WEB	DB_W
Switches	WMP, WMS, WS, WES	DPT_W, DT_W
Tap/Terminal Boxes	WMTB, WTB, WET	DTB_W
Pull Boxes	WMMB, WT_PU	DPB_W
Meter Module	WMM, WxMM, WMT, WML, WMK	DG_W, DC_W, DL_W
Extension Box	WMEX, WSP	DS
Bussed Elbow	BE	DL

Connect Modules Using:		Catalog Number / Torque
QuickConnect	QC4 (3ph)	400-440 lb-in (35-36 ft.-lb.) Torque
Single Bolt Joint	SBJ4 (3ph)	400-480 lb-in (35-40 ft.-lb.) Torque



© 2012 Copyright Siemens Industry, Inc.

SIEMENS
Siemens Industry, Inc.
PowerMod™ SPD

Catalog Numbers: **Enclosed Surge Protective Device**
3 Ph, No Disconnect, 100k - 300k Surge Rating

Size B	Dwg. No.	WSPD3N1-3
Dwn KAM	Date	7/12/12
DO NOT SCALE DRAWING		SHEET 1 OF 1