

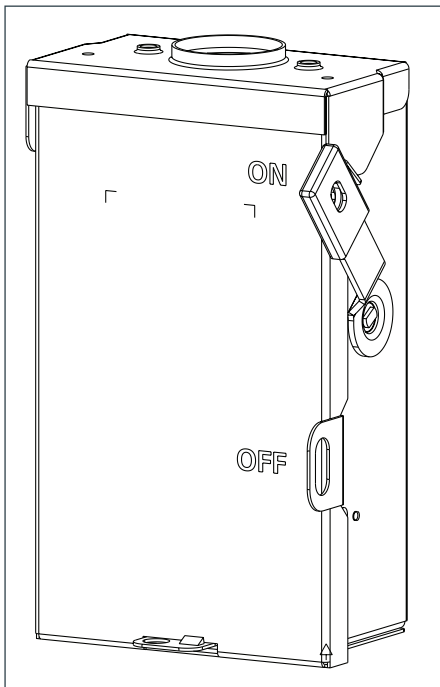
SIEMENS

Data Sheet

VBI General Duty Safety Switch

30A, 240V, Type 3R, Non-fusible

usa.siemens.com/switches



Standards and Ratings

- UL Listed under file #E4776
- Meets UL98 for switches and UL 50 for enclosures
- Meets NEMA Standard KS-1 for enclosed switches
- Meets NEC wire bending space requirements
- Suitable for use as service entrance equipment
- Meets 2020 NEC 230.62 with addition of line side barrier kit (listed as accessory below)

Features

- Rated 10,000 AIC with Class K fuses or H fuses or rated 100,000 AIC with Class R fuses
- Quick-make and break switching action
- Double break visible blade design
- Oversized enclosure (60% greater volume compared to GNF321A)
- Oversized Lugs

Product Specifications

General Duty 30A, 240V, Type 3R

General Information

Catalog Number	Description	Shipping Weight in lbs. (std. package qty.)
GNF321RLA	General Duty Enclosed Switch, Oversized	30 (10)

Horsepower Ratings

250V DC	1 Phase, 240V AC	3 Phase, 240V AC
5	3	7.5

Mechanical Lug Wire Range ²

Description	Wire Range with Wire Bending Space per NEC [®] requirements	Lug Wire Range
Line and Load Terminals	14 - 6 AWG	14 - 2 AWG

¹ Use closure plate screws provided to mount hubs.

² See "Wire Torque Information" table for specific wire torque values.

³ Use Cu/Al 60°/75° C Wire.

⁴ Internal shield which meets 2020 NEC 230.62 line side barrier requirements for service entrance equipment.

Accessories & Hub Kits

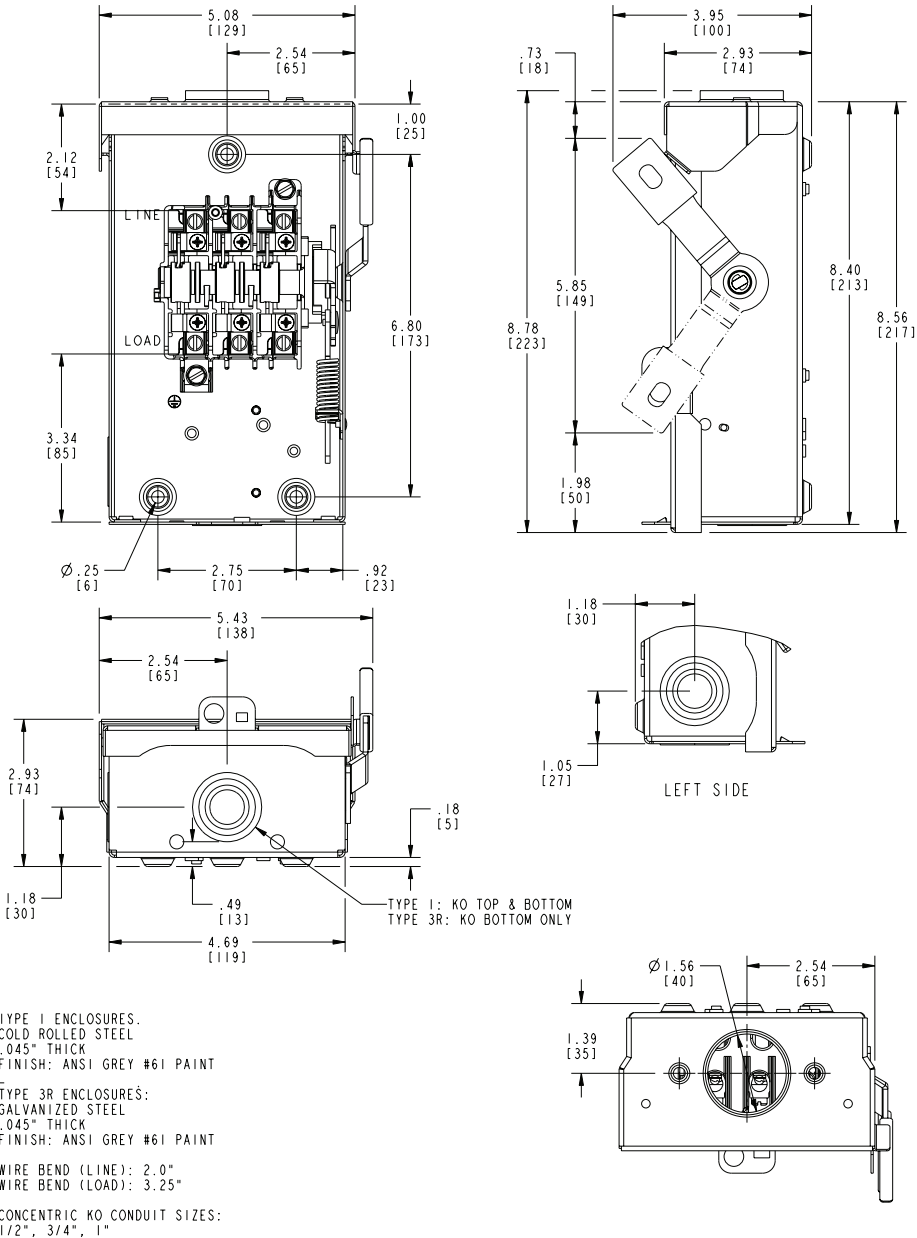
Catalog Number	Description
ECHA075 ¹	0.75" Type "HA" Outdoor Hub
ECHA100 ¹	1.00" Type "HA" Outdoor Hub
ECHA125 ¹	1.25" Type "HA" Outdoor Hub
HN22A	Neutral Kit
HG61234 ²	Ground Lug Kit 30-200A
HSK212BA ⁴	Line Side Barrier Kit

Wire Torque Information

Application	Wire Size	Nominal Torque
Mechanical Lug - Wire Connector ³	14 - 10 AWG	35 lb.-in.
	8 AWG	40 lb.-in.
	6 AWG	45 lb.-in.

Dimension Drawings

General Duty 30A, 240V, Type 3R



Published by
Siemens Industry, Inc. 2021.

Siemens Industry, Inc.
3617 Parkway Ln
Peachtree Corners, GA 30092

For more information, please contact
our Customer Support Center.
Phone: 1-800-241-4453
E-mail: info.us@siemens.com

usa.siemens.com/switches

Order No.: SSFL-GN32R-0521
Printed in U.S.A.
© 2021 Siemens Industry, Inc.

The technical data presented in this document is based on an actual case or on as-designed parameters, and therefore should not be relied upon for any specific application and does not constitute a performance guarantee for any projects. Actual results are dependent on variable conditions. Accordingly, Siemens does not make representations, warranties, or assurances as to the accuracy, currency or completeness of the content contained herein. If requested, we will provide specific technical data or specifications with respect to any customer's particular applications. Our company is constantly involved in engineering and development. For that reason, we reserve the right to modify, at any time, the technology and product specifications contained herein.