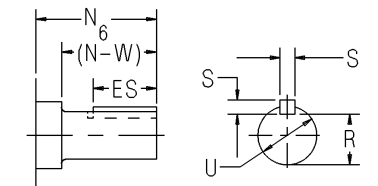
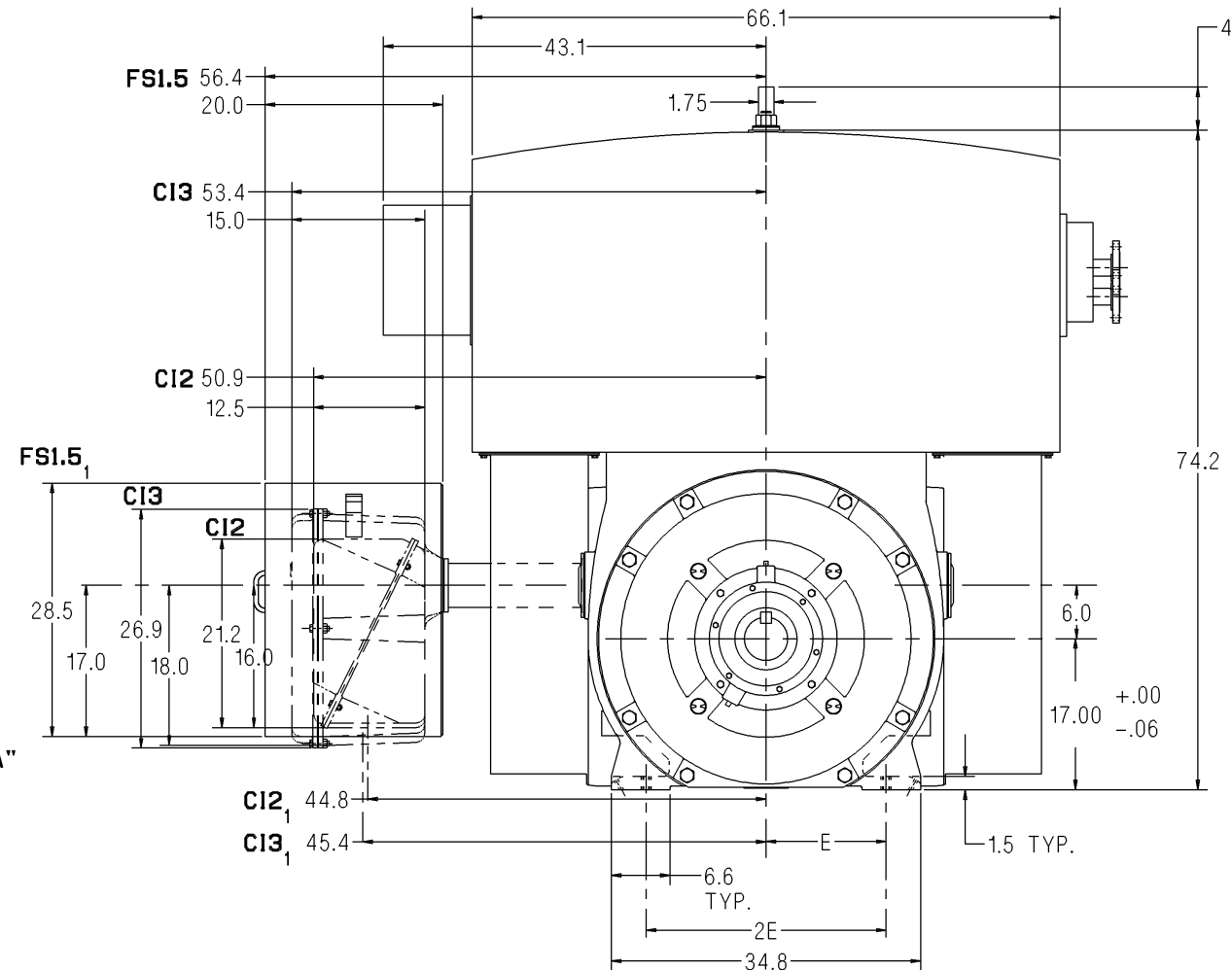
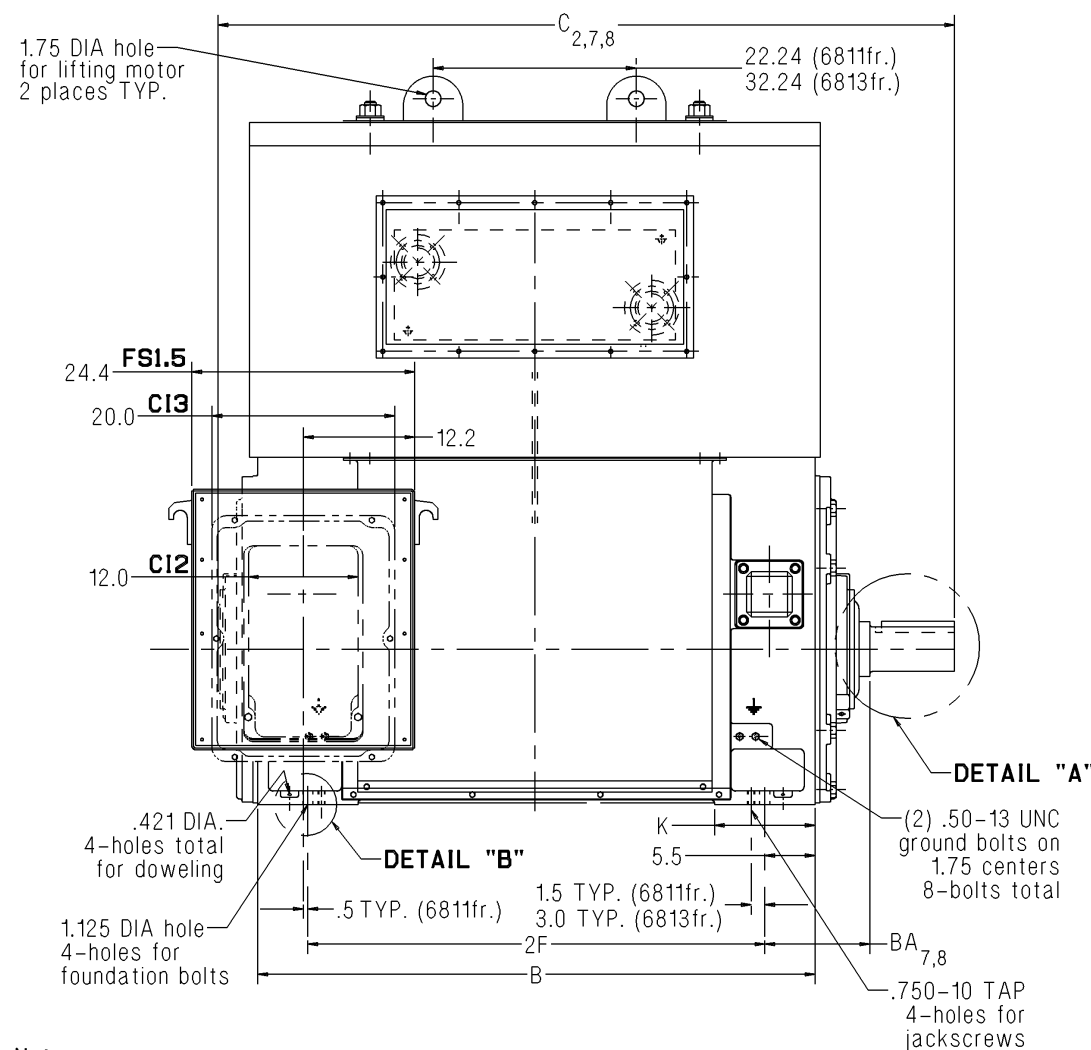


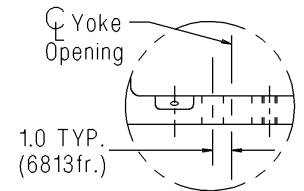
# SIEMENS

Dimension Prints for Above NEMA Motors

Type CGG – Horizontal – Totally Enclosed Water to air Cooled  
Anti-Friction Bearing – Direct Connected  
Frames 6811 / 6813 – 4 Pole & Slower – Rotatable Main Conduit Box



DETAIL "A"



DETAIL "B"

**Notes:**

- Main conduit box may be rotated in steps of 90°. A removable bottom plate is supplied on the FS1.5 conduit box. A 5.0 N.P.T. is supplied on the CI2 and CI3 conduit boxes. A 14.0" spacer is supplied on both frames for all rotatable conduit boxes.
- C = Length of motor from drive end of shaft to end of non-drive end of motor.
- V = (N-W)-0.25" = length of shaft available for coupling.
- Shims may be necessary under motor feet for direct connection.
- Short shaft is for direct connection.
- Adding a rotating labyrinth seal to the drive end decreases N by:  
4 Pole: 0.40" 6 Pole & Slower: 0.40"
- Adding a ground brush increases BA and C by:  
4 Pole: 2.50" 6 Pole & Slower: 2.50"
- Adding a ground brush with rotating labyrinth seal increases BA and C by:  
4 Pole: 2.75" 6 Pole & Slower: 2.75"

**Standard Dimensions in Inches**

| Shaft | Frame | Speed           | B    | BA <sub>7,8</sub> | C <sub>2,7,8</sub> | E     | 2F   | K    | N <sub>6</sub> | (N-W) | R     | S     | U     | V <sub>3</sub> | ES  | Approx. Ship Wt. (Lbs) |
|-------|-------|-----------------|------|-------------------|--------------------|-------|------|------|----------------|-------|-------|-------|-------|----------------|-----|------------------------|
| Short | 6811  | 4 Pole          | 61.0 | 11.50             | 80.6               | 13.50 | 50.0 | 11.0 | 10.45          | 9.25  | 4.169 | 1.250 | 4.875 | 9.00           | 8.0 | 13100                  |
| Short | 6811  | 6 Pole & Slower | 61.0 | 11.50             | 80.6               | 13.50 | 50.0 | 11.0 | 10.45          | 9.25  | 4.676 | 1.250 | 5.375 | 9.00           | 8.0 | 12900                  |
| Short | 6813  | 4 Pole          | 74.0 | 11.50             | 93.6               | 13.50 | 63.0 | 12.5 | 10.45          | 9.25  | 4.169 | 1.250 | 4.875 | 9.00           | 8.0 | 15900                  |
| Short | 6813  | 6 Pole & Slower | 74.0 | 11.50             | 93.6               | 13.50 | 63.0 | 12.5 | 10.45          | 9.25  | 4.676 | 1.250 | 5.375 | 9.00           | 8.0 | 15400                  |

**Certification:** Customer \_\_\_\_\_ P.O. \_\_\_\_\_ S.O. \_\_\_\_\_ Item \_\_\_\_\_  
 HP \_\_\_\_\_ RPM \_\_\_\_\_ Frame \_\_\_\_\_ PH/HZ/Volts 3/\_\_\_\_\_/\_\_\_\_\_  
 By \_\_\_\_\_ Date \_\_\_\_\_ Terminal Box Size CI2  CI3  FS1.5   
 Comments \_\_\_\_\_  
 Not for construction, installation or application purposes unless certified.

CGG\_680\_4plusPL\_AF\_R0T  
Revision 01  
01/21/09