

SIEMENS

Plug-in Socket Accessories
 Accesorios para zócalo de enchufe
 Connecteur de contacts auxiliaires pour socle

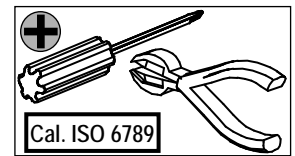
U.S. Cat. No.	Euro Order No.
Item: PCTP83	3VL9800-4PJ01

For Use With Frame NG, PG
 Para Usar Con Caja Base NG, PG

Installation Instructions / Instructivo de Instalación

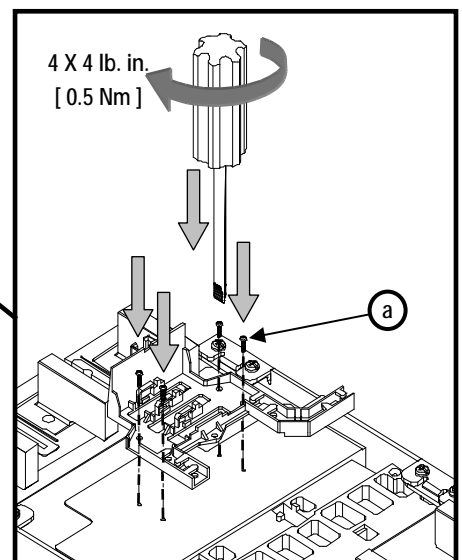
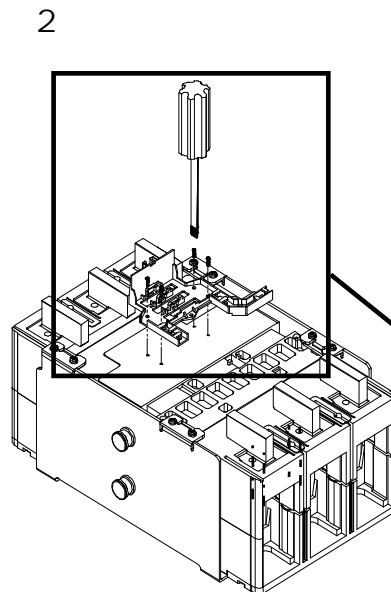
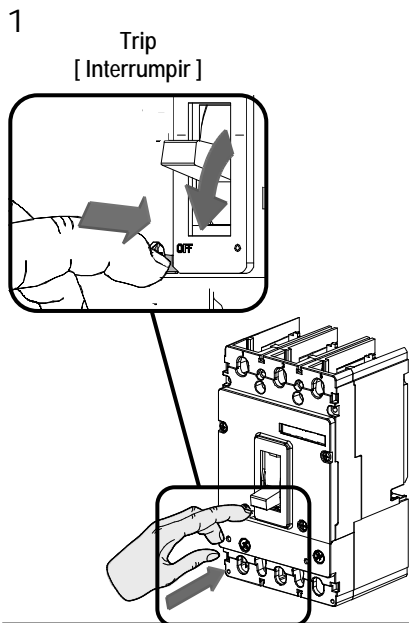
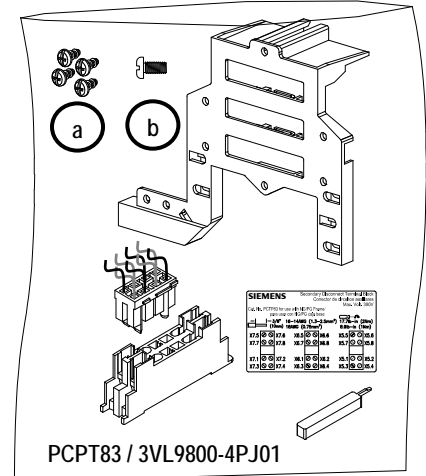
	⚠ Danger	⚠ Peligro	⚠ Danger
	Hazardous Voltage. Will cause death or serious injury.	Tensión peligrosa. Puede causar la muerte o lesiones graves.	Tension dangereuse. Danger de mort ou risque de blessures graves.
	Turn off and lock out all power supplying this device before working on this device. Replace all covers before power supplying this device is turned on.	Desenergice totalmente antes de instalar o darle servicio. Reemplace todas las barreras y cubiertas antes de energizar el interruptor.	Couper l'alimentation de l'appareil et barrer avant de travailler. Remplacez tous les couverts avant que l'alprovisionnement de pouvoir soit alimenté.

Use only with Siemens certified Components.
 Utilizar únicamente con componentes certificados de Siemens.
 A utiliser uniquement avec les composants certifiés Siemens.

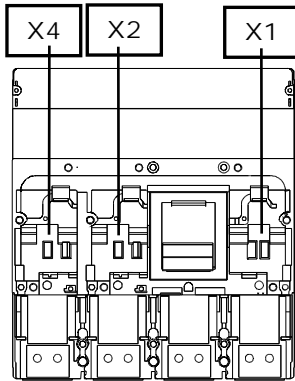


NOTE - These instructions do not purport to cover all details or variations in equipment, or to provide for every possible contingency to be met in connection with installation, operation or maintenance. Should further information be desired or should particular problems arise, which are not covered sufficiently for the purchaser's purposes, the matter should be referred to the local Siemens sales office. The contents of this instruction manual shall not become part of or modify any prior or existing agreement, commitment or relationship. The sales contract contains the entire obligation of Siemens. The warranty contained in the contract between the parties is the sole warranty of Siemens. Any statements contained herein do not create new warranties or modify the existing warranty.

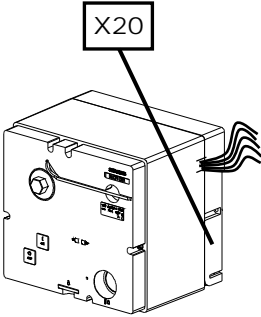
Trademarks - Unless otherwise noted, all names identified by ® are registered trademarks of Siemens AG or Siemens Industry, Inc. The remaining trademarks in this publication may be trademarks whose use by third parties for their own purposes could violate the rights of the owner.



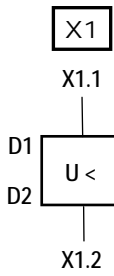
Recommended [Recomendado]



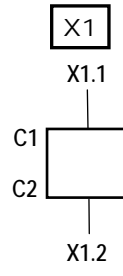
NG, PG



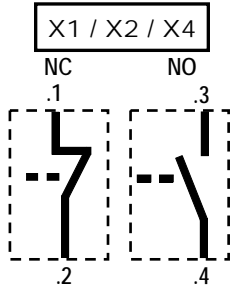
MTRP_
3VL9800-3M_01



UVRP_____
3VL9800-1U_01



STRP_____
3VL9800-1S_01



ASKP_
3VL9800-2A_01

SIEMENS Secondary Disconnect Terminal Block
Conector de circuitos auxiliares
Max. Volt. 300V

Cat. No. PCTP83 for use with NG/PG Frame/
para usar con NG/PG caja base

3/8" 16-14AWG (1.3-2.5mm²) 17.7lb-in (2Nm)
(10mm) 18AWG (0.75mm²) 8.9lb-in (1Nm)

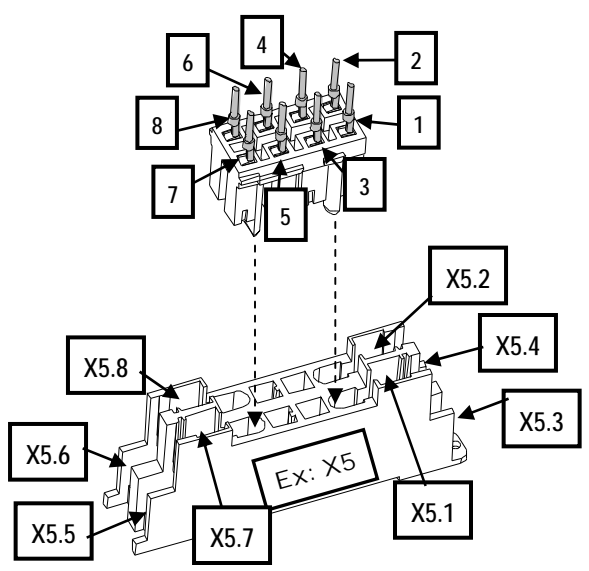
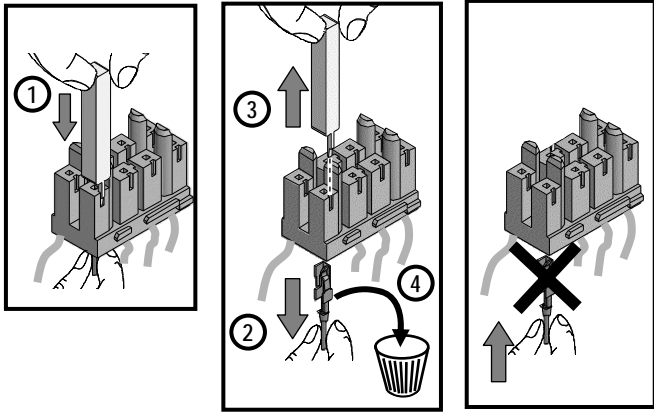
X7.5	X7.6	X6.5	X6.6	X5.5	X5.6
X7.7	X7.8	X6.7	X6.8	X5.7	X5.8
X7.1	X7.2	X6.1	X6.2	X5.1	X5.2
X7.3	X7.4	X6.3	X6.4	X5.3	X5.4

Recommended Wiring [el atar con alambre recomendado]

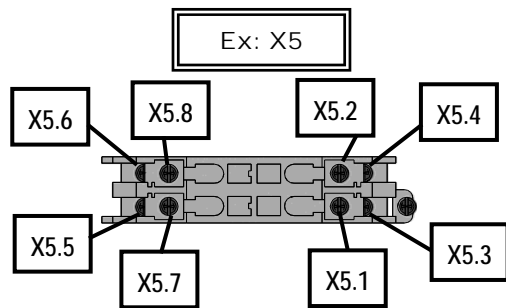
	X5.1 - X5.8	↔	X1 X2 X4
	X6.1 - X6.2	↔	X1.1 - X1.2
	X6.3 - X6.8	↔	X1 X2 X4
	X7.1 - X7.8	↔	X1 X2 X4
	X5.1 - X5.5	↔	X20.1 - X20.5
	X5.6 - X5.7	↔	X1 X2 X4
	X6.1 - X6.2	↔	X1 X2 X4
	X6.3 - X6.8	↔	X1.1 - X1.2
	X7.1 - X7.8	↔	X1 X2 X4

Option: [Opción:]

Wires not used.
[Conductores no utilizados.]

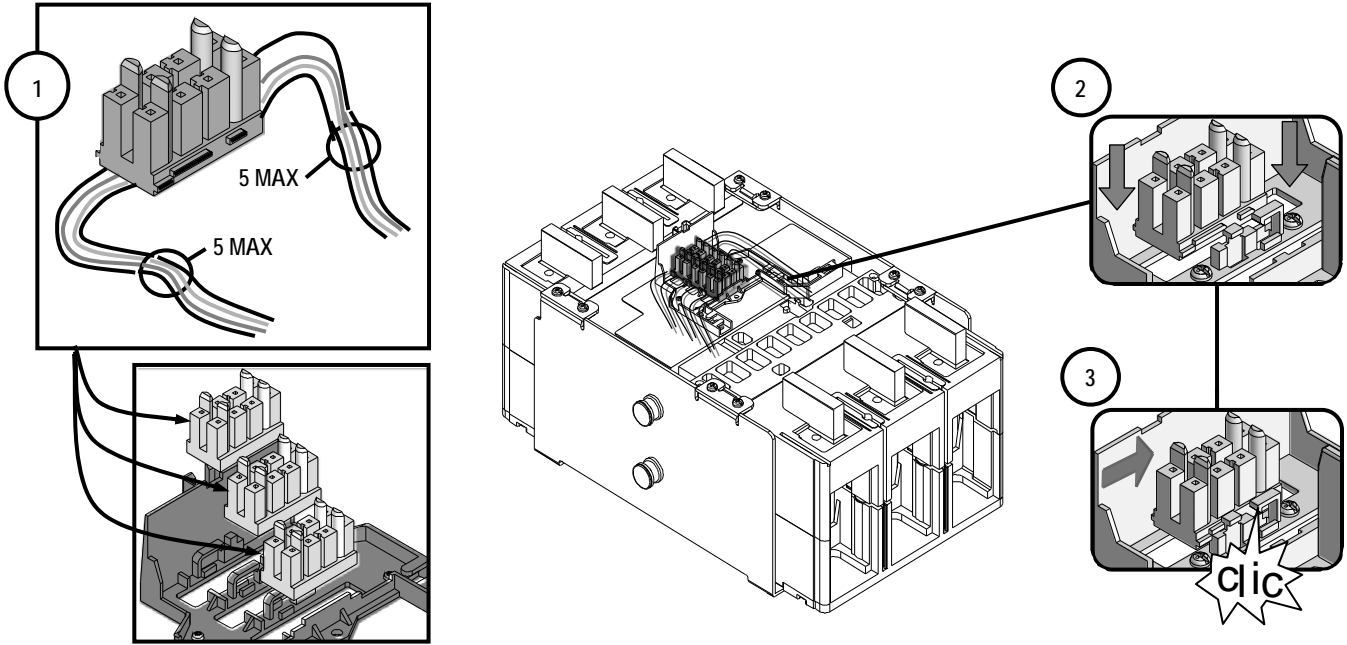


Ex: X5	Pin	English	Español
X5.1	1	violet	violeta
X5.2	2	orange	naranja
X5.3	3	blue	azul
X5.4	4	yellow	amarillo
X5.5	5	green	verde
X5.6	6	red	rojo
X5.7	7	black	negro
X5.8	8	white	blanco

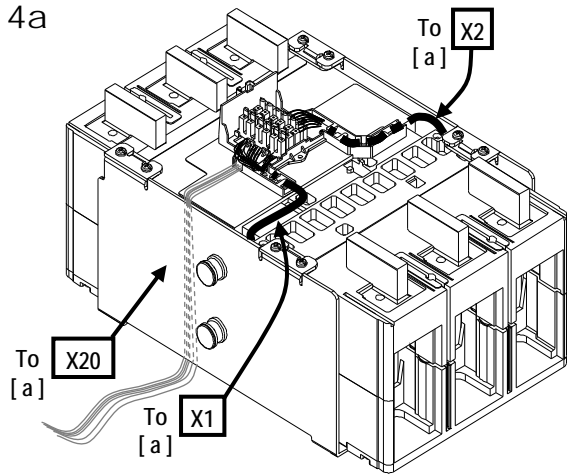


3

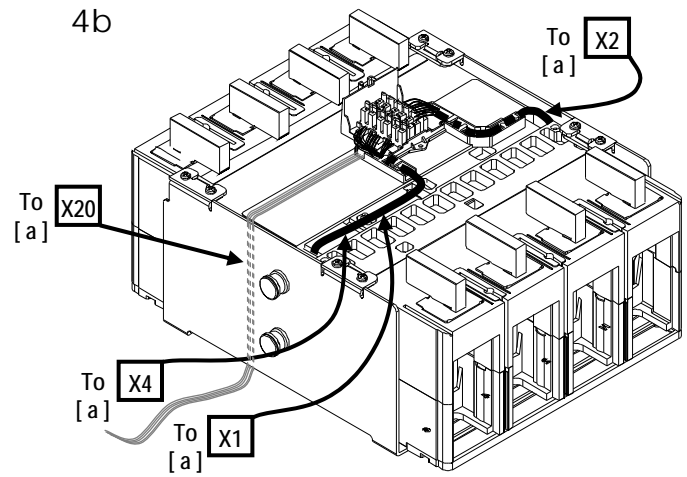
ex: 3X - PCPT83 / 3VL9800-4PJ01



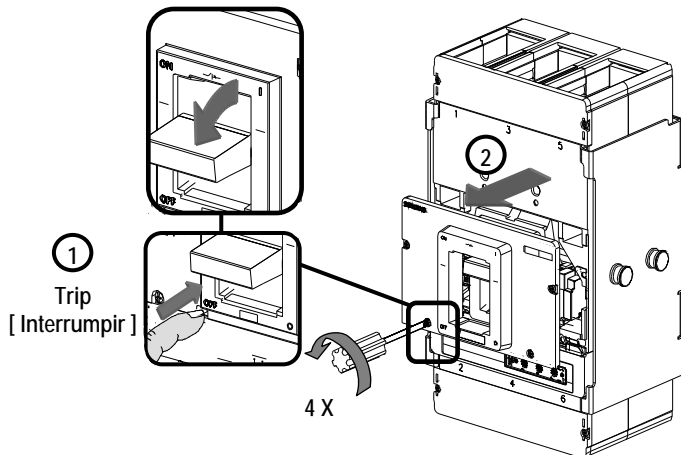
4a



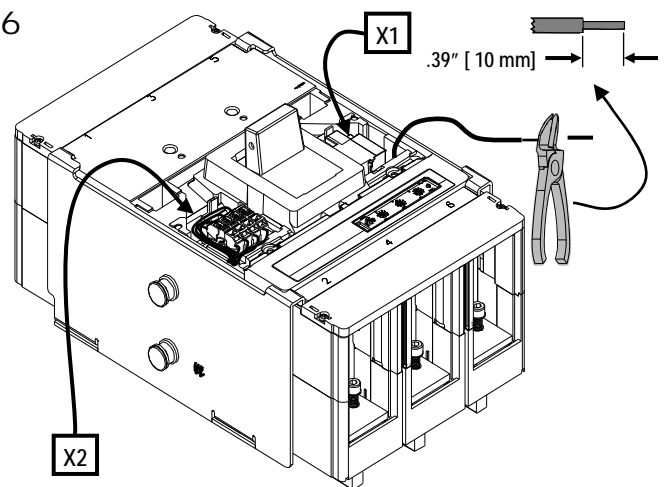
4b



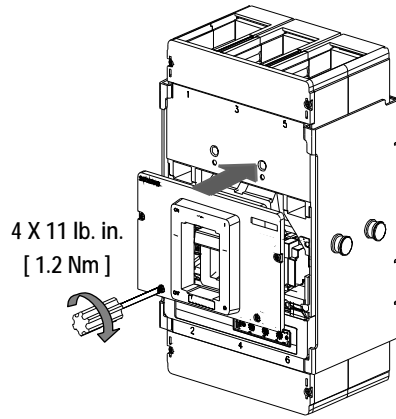
5



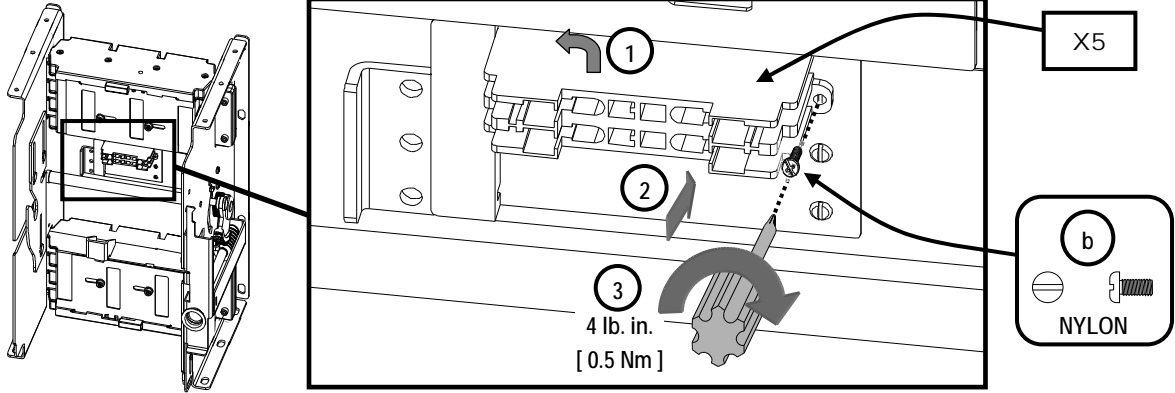
6



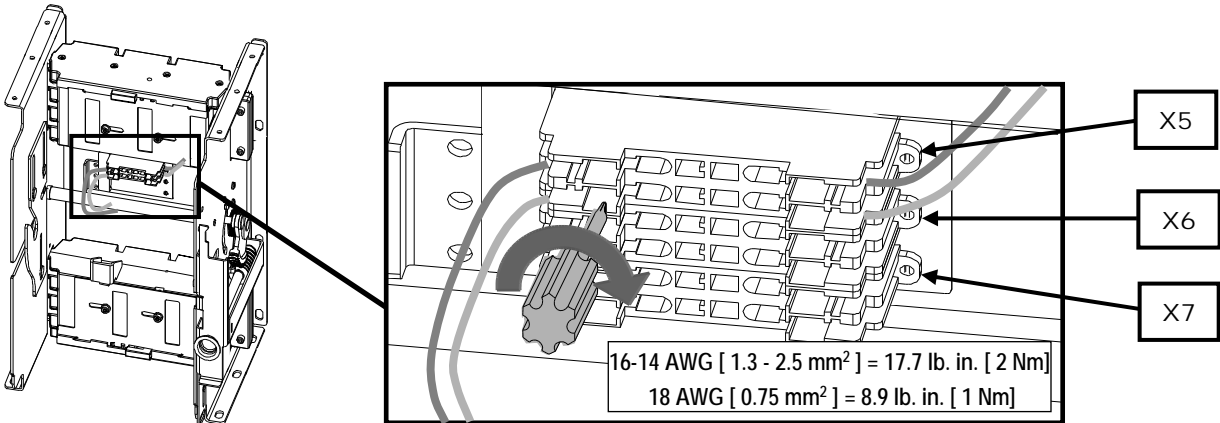
7



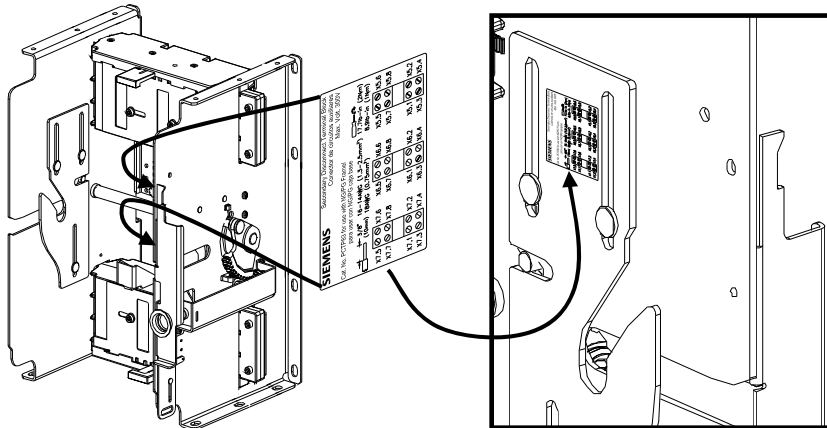
8a



8b



9



Bestell-Nr. / Order No.: 3ZX1012-0VL68-4AA0 For Support in Europe refer to : Internet: www.siemens.de/lowvoltage/technical-assistance GWA 4NEB 179 6861-10 DS 03

Technical Support: Toll Free: 1-800-241-4453 Internet: www.usa.siemens.com/powerdistribution

Subject to change without prior notice
Siemens Industry, Inc. , Norcross, GA 30092 U.S.A.