

TALON™

Outdoor Combination Metering

Catalog Number

LG020L1200RBC

Enclosure

Type 3R

PANELBOARD RATING:

200 Amps, Max
 120/240 Volts ~, 1 phase, 3 wire
 208Y/120 Volts ~, 1 phase, 3 wire
 (Derived from 3 phase - 4 wire system
 with 5th jaw assembly installed)

METER SOCKET RATING

200 Amps Continuous

**FOR OVERHEAD OR
 UNDERGROUND SERVICE**

SUITABLE ONLY FOR USE AS SERVICE EQUIPMENT

For installation by a qualified person in
 accordance with all local electrical codes
 and/or the National Electrical Code.®

Use 60/75°C Copper or Aluminum

Conductors in Terminals A, B, N1, N2, N3 and N4.

General Information:

Remove twistouts from deadfront only where breaker will
 be installed. Circuit Breaker overload trip position is
 indicated by handle position midway between ON and
 OFF. To reset, move handle to OFF position then turn ON.

Short Circuit Current Rating (Wattour Meter not Included in short circuit rating)

This panelboard has a maximum short circuit current rating of
 10,000 RMS symmetrical amps, 120/240 V~. Install only Siemens
 Type QN, QP, QPH, HQP, QNH, HQN or Murray Brand Type MD-T,
 MP-T, MP-HT, MP-MT, MD-HT, MD-MT or Talon Brand Type LQN
 circuit breakers. Replacement breakers must be one of the type
 listed above.

WARNING: This device has been designed for use only with those circuit breakers as listed above.
 Use of other circuit breakers in this device will void the warranty and could result in property
 Damage or personal injury.

Assembled in Mexico

Siemens Industry, Inc. Norcross, Georgia U.S.A.

J2

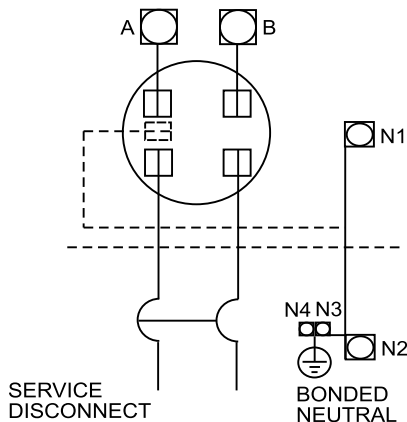
40901272 0101 Rev. A

MANUFACTURING DATE:

Important: Do not spray or allow any petroleum based chemicals, solvents, or paint to
 contact interior components.

® The National Electrical Code is a registered trademark of the National Fire Protection Association.

© 2015 Copyright Siemens Industry, Inc.



MAIN BREAKER TERMINALS

See markings on breaker for torque
 requirements and conductor rating.

Terminal	Wire Size	Torque
A, B, N1 & N2	#6-250 kcmil	250 lb-in
N3, N4	#14-2 AWG	50 lb-in

If hub is required, use the Type RX catalog
 numbers listed below on this enclosure

Trade size (in)	Catalog number
1 ¼"	EC38597 or H38597-2
1 ½"	EC38598 or H38598-2
2"	EC38599 or H38599-2
2 ½"	EC38600 or H38600-2
Closure plate	EC38595 or H38595-1

Accessories	
Description	Cat. No.
5th Jaw	EC5J2