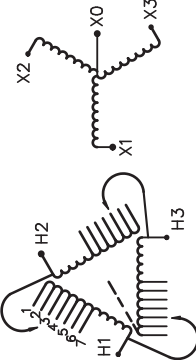


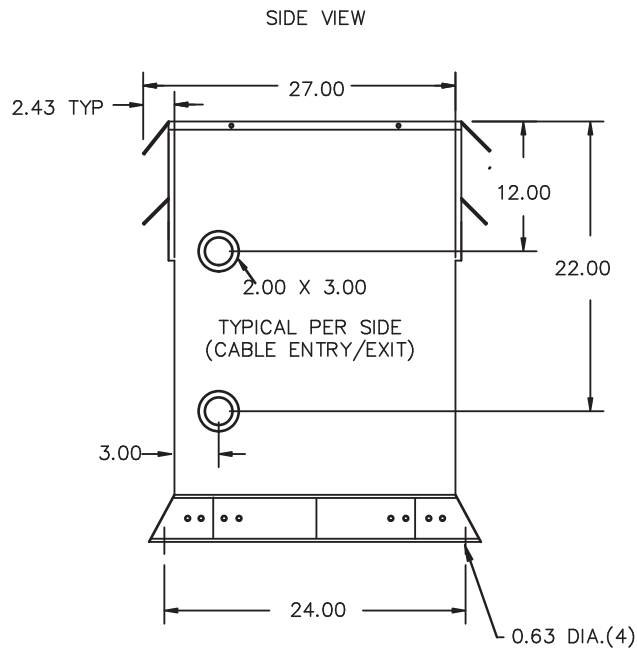
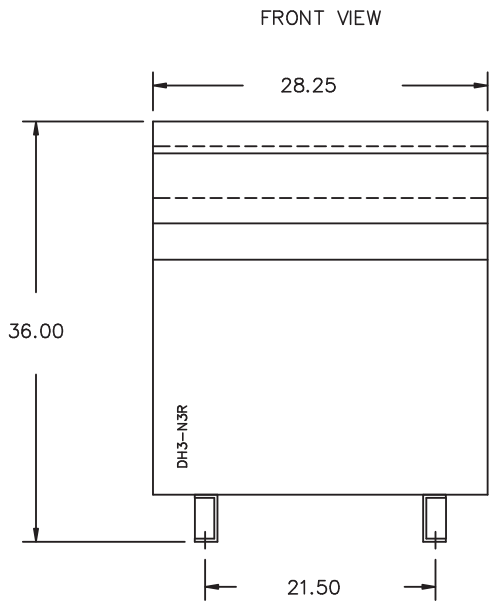
REVISION	DATE	BY	DATE	BY
			16/06/29	PP

Confidential - Property of <b>Siemens Industry, Inc.</b>	
CUSTOMER	
ORDER NO.	DWG. NO.
	3F3Y075D16BA
	SH 1 OF 2

# SIEMENS

<p>CATALOG NO. 3F3Y075D16BA</p> <p>SERIAL NO. SERIES H</p> <p>75 kVA 60 Hz 3 PHASE</p> <p>5.6 % IMP AT 170 °C</p> <p>150 °C RISE 30 °C AVG. AMBIENT</p> <p>220 °C TEMP CLASS 40 °C MAX. AMBIENT</p> <p>PRIMARY ( H1 H2 H3 ) 480V V 10 kV BIL</p> <p>SECONDARY( X0 X1 X2 X3 ) 208Y/120V V 10 kV BIL</p> <p>WINDING MATERIAL AL</p> <p>ENCLOSURE TYPE 3R WEIGHT 555 LBS</p> <p>ENERGY EFFICIENCY EXCEEDS CSA C802.2-2012 DOE 10 CFR PART 431:2016</p> <p>SPACINGS BETWEEN ANY VENTILATED ENCLOSURE PANEL AND ANY ADJACENT WALL SHALL BE A MINIMUM OF 5 INCHES EXCEPT WHEN WALL MOUNTED USING APPROVED WALL MOUNTING KIT</p> <p>SUITABLE FOR INDOOR OR OUTDOOR LOCATIONS BEFORE HANDLING, INSTALLING AND OPERATING; SEE INSTRUCTION MANUAL</p> <p>NEMA Class ANN Dry Type Transformer Siemens Industry, Inc. Norcross, GA <small>dsu0086e</small></p>	 <p>VOLTS CONNECT</p> <p>504 1</p> <p>492 2</p> <p>480 3</p> <p>468 4</p> <p>456 5</p> <p>444 6</p> <p>432 7</p>	<p>TYPE K</p> <p>DRY TYPE TRANSFORMER 77UL E112313 LR 3902</p> <p><b>LISTED</b></p> <p>SEISMIC QUALIFICATIONS, FLOOR MOUNT ONLY OSP-0136-10 IBC 2012/ASCE 7-10 SDS&lt;=2.0g z/h=1 p=1.5</p>
--	---	---





All Dimensions in inches

ENCLOSURE COLOR :ANSI 61 GREY – OUTDOOR

H.V.1. TERMINAL DETAIL

L.V.1. TERMINAL DETAIL

MECHANICAL TYPE LUGS INCLUDED  
SUITABLE FOR #2/0-14 CU/AL  
CONDUCTORS  
1 CONDUCTOR PER PHASE

MECHANICAL TYPE LUGS INCLUDED  
SUITABLE FOR 600MCM-2 CU/AL  
CONDUCTORS  
1 CONDUCTOR PER PHASE

CUSTOMER NOTES:

- HV1 TERMINATED AT TOP FRONT
- LV1 TERMINATED AT BOTTOM FRONT

Confidential – Property of  
**Siemens Industry, Inc.**

REVISION	DATE	BY	DATE	BY
		DRAWN	16/06/29	PP
		CHEK'D		
		VERIF'D		

CUSTOMER	
ORDER NO.	DWG. NO. 3F3Y075D16BA
SH 2 OF 2	