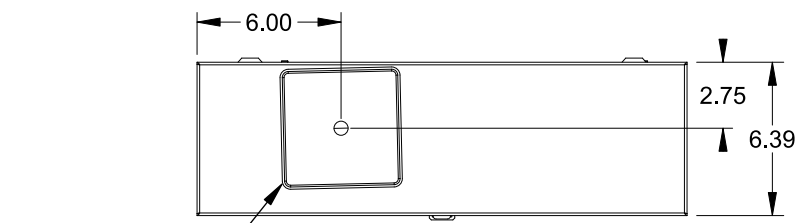
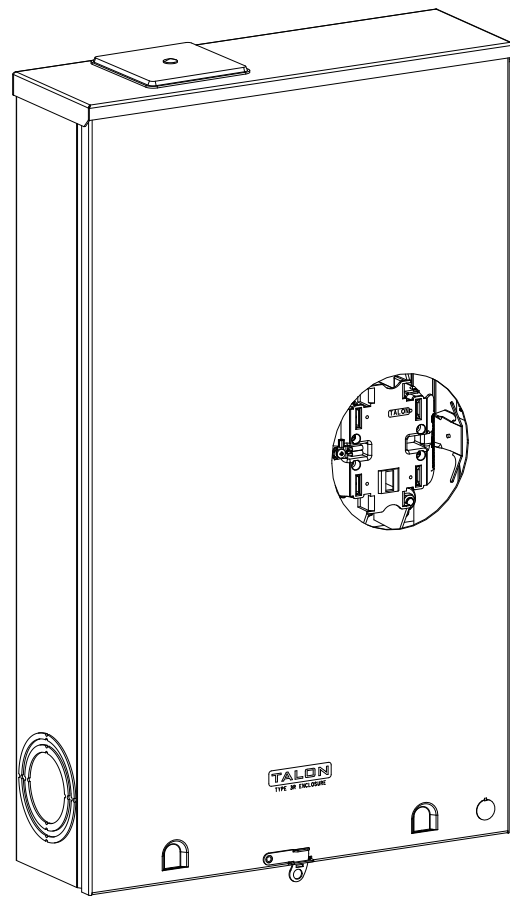


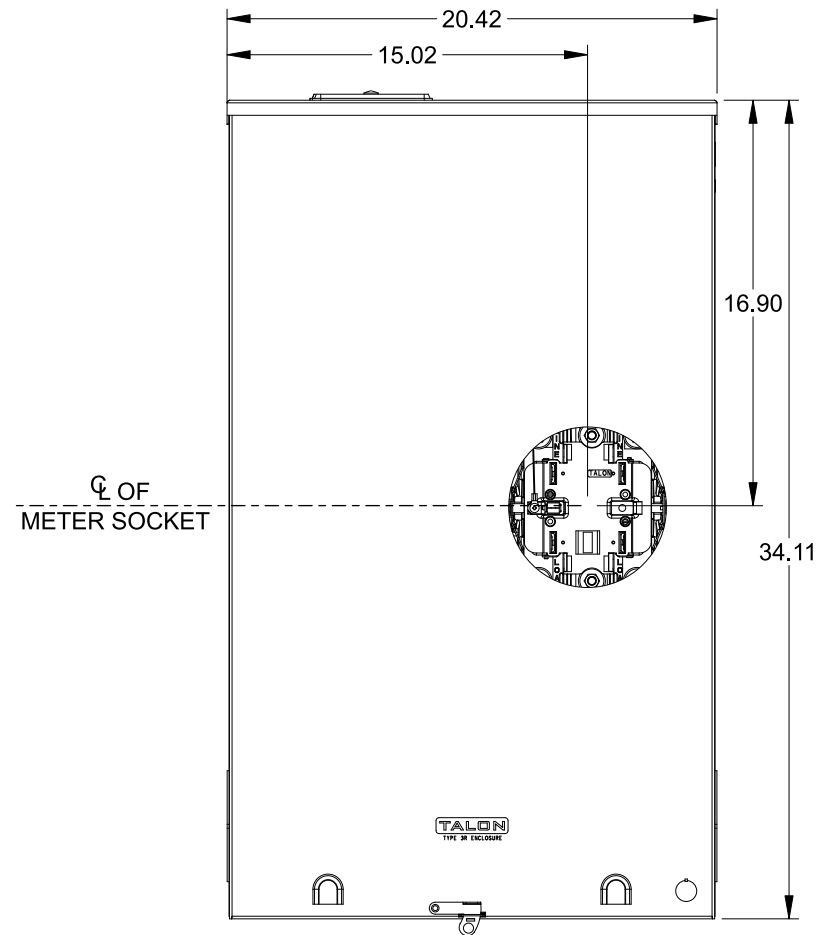
**Catalog Number: 48705-08**

**Features and Ratings**

- Ringless Type Meter Socket
- 320A Continuous, 400A Max., 600V AC
- Outdoor Enclosure (NEMA Type 3R)
- Painted G90 Steel Enclosure
- 3 Phase, 3-Wire, Commercial Socket
- 5 Jaw Meter Socket
- Meter Socket Type HQ-5SSW
- For Overhead & Underground Service
- HD Type Hub Opening w/Large Coverplate
- 7/8" Barrel Lock Provision w/Bracket
- Lever Bypass
- Side Wired

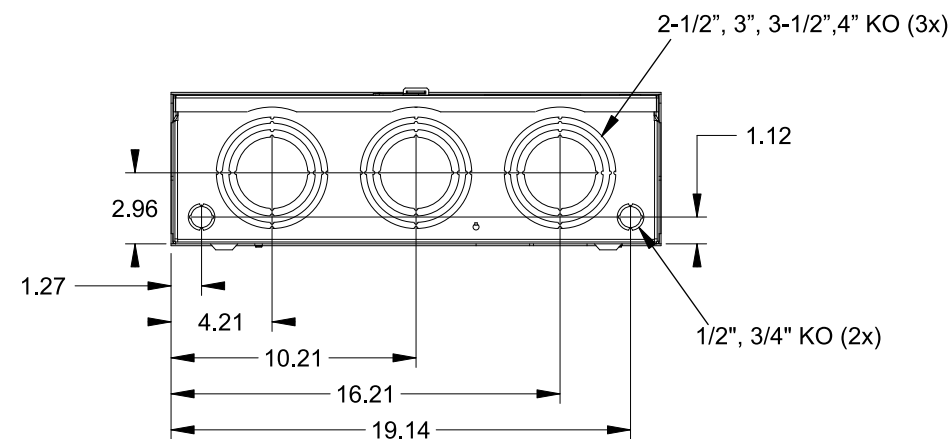
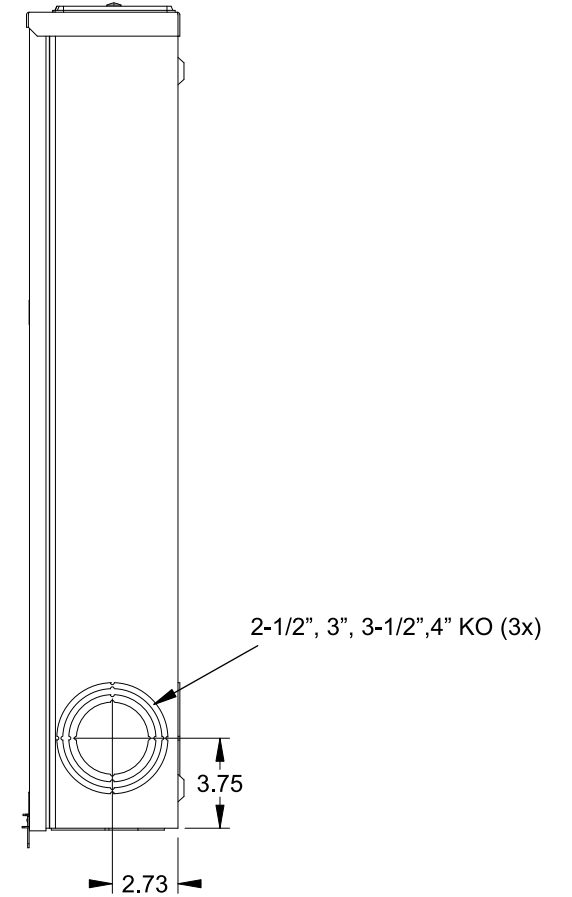
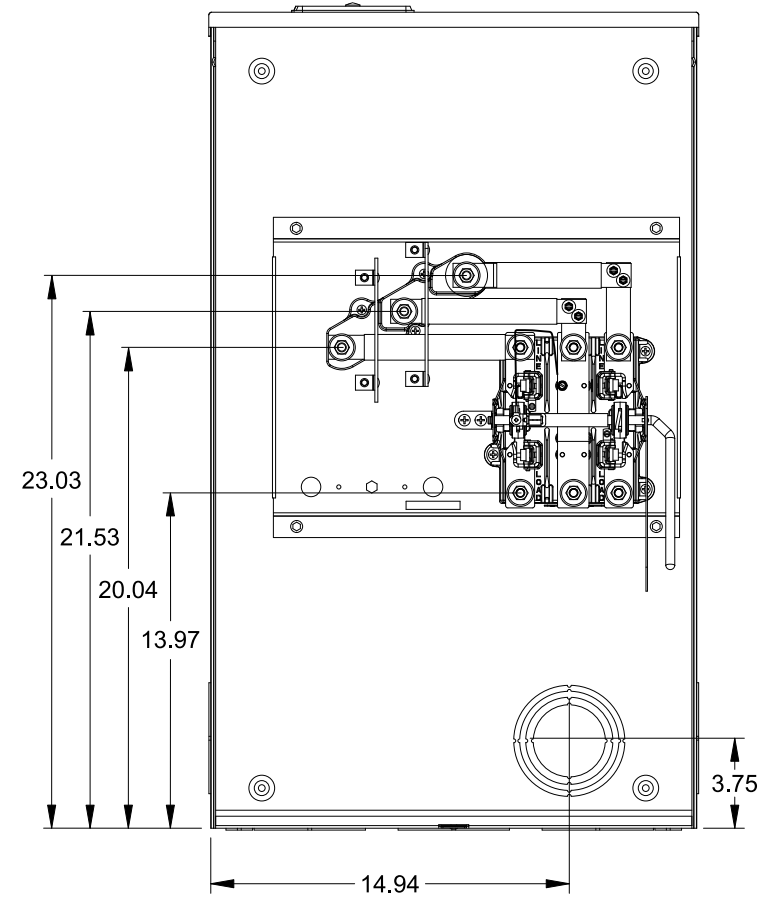


LARGE COVERPLATE



CL OF METER SOCKET

VIEW SHOWN WITH COVER REMOVED



**Accessories**

| CONDUIT HUBS (HD Type) |                     |
|------------------------|---------------------|
| TRADE SIZE             | CATALOG No.         |
| 3 INCH                 | EC56856 or H56856-2 |
| 3-1/2 INCH             | EC56857 or H56857-2 |
| 4 INCH                 | EC56858 or H56858-2 |
| Hub Cover Plate        | EC56933 or H56933S  |

Meter Opening Cover Plate  
Cat No: H659-0162  
5th Jaw Kit  
Cat. No: EC35815-3

**Connectors, Wire Sizes and Torques**

| CONNECTOR | PART NO. | WIRE SIZE                        | HEX  | TORQUE    |
|-----------|----------|----------------------------------|------|-----------|
| LINE      | 60162    | #4-600 kcmil / (2)#1/0-250 kcmil | 1/2" | 500 LB-IN |
| LOAD      | 60162    | #4-600 kcmil / (2)#1/0-250 kcmil | 1/2" | 500 LB-IN |
| NEUTRAL   | 60162    | #4-600 kcmil / (2)#1/0-250 kcmil | 1/2" | 500 LB-IN |

© 2016 Copyright Siemens Industry, Inc.

**TALON**

**Meter Socket**

Description: **320A Cont, 5 Jaw, HQ-5SSW, 600V AC, Painted Steel Enclosure**

JEL 3/18/16 DO NOT SCALE DRAWING Dwg No: **48705-08**