

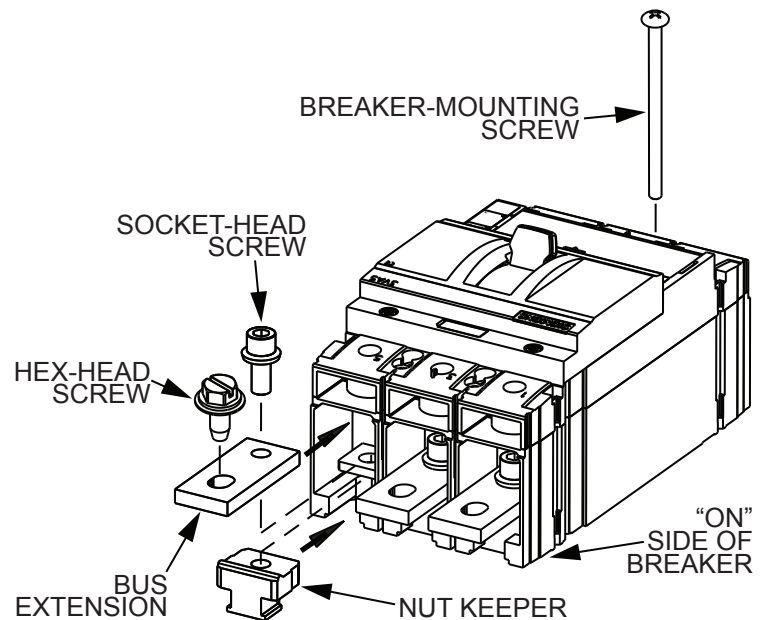
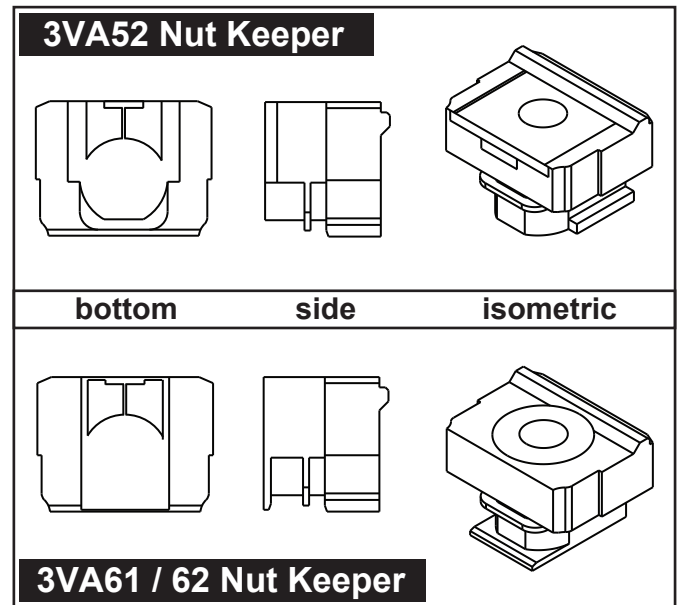
SIEMENS S3VA52PR

Instructions for Provision Kit for 3VA52 / 61 / 62 Breakers
Installed in Distribution Switchboards and Power Panels



KIT INCLUDES: Qty. (3) 3VA52 Nut Keepers, Qty. (3) 3VA61 / 62 Nut Keepers, Qty. (3) Bus Extensions, Qty. (3) Hex-Head Screws, Qty. (3) Socket-Head Screws, Qty. (2) Breaker Mounting Screws

1. Lock off ALL power supplying this equipment before working on it.
2. Remove the panelboard front cover and deadfront.
3. Locate the planned location for this new/replacement breaker(s) and ensure the area is ready. (i.e.: Bus straps in place, any barriers in position, hardware in this area is properly torqued, etc.)
4. Locate the breaker (PURCHASED SEPARATELY) and the components that came with this kit.
5. Identify the proper Nut Keepers for your specific breaker. The images to the right show some of the differences between the two types. Plus, they are designed to fully seat properly only in the breaker cavity they are designed for.
6. Slide a Nut Keeper under each phase of the breaker stabs on the "ON" side of the breaker. They "click" into place when properly inserted.
7. Place Bus Extension on top of each phase of the breaker stabs, with the smaller and rounder hole towards the breaker.
8. Secure each Bus Extension to each Nut Keeper with a Socket-Head Screw.
9. Orient the breaker such that the "ON"-side (with Bus Extensions) fits into the top barrier and the "OFF"-side nestles between the two fins on the breaker mounting bracket.
10. Fasten the breaker to the mounting bracket with two Breaker-Mounting Screws. (**NOTE:** Some breakers are packaged with Breaker-Mounting Screws. If this occurs, dispose of the pair that shipped with the breaker and use pair from this kit.)
11. Align the Bus Extension holes with the holes in the bus straps and fasten each phase with one of the Hex-Head Screws.
12. Tighten all screws to the torque values specified on the back of the deadfront.
13. **Before energizing the panel**, ensure that the deadfront, barriers and fillers are all in place and secure, that the panelboard front cover is properly installed and that the door is closed/latched/locked.



Contact Siemens Sales Office if considering usage in applications other than as shown.

These instructions do not purport to cover all details or variations in equipment, or to provide for every possible contingency to be met in connection with installation, operation or maintenance. Should further information be desired or should particular problems arise, which are not covered sufficiently for the purchaser's purposes, the matter should be referred to the local Siemens sales office. The contents of this Instruction manual shall not become part of or modify any prior or existing agreement, commitment or relationship. The sales contract contains the entire obligation of Siemens. The warranty contained in the contract between the parties is the sole warranty of Siemens. Any statements contained herein do not create new warranties or modify the existing warranty.

Trademarks-Unless otherwise noted, all names identified by ® are registered trademarks of Siemens AG or Siemens Industry, Inc. The remaining trademarks in this publication may be trademarks whose use by third parties for their own purposes could violate the rights of the owner.