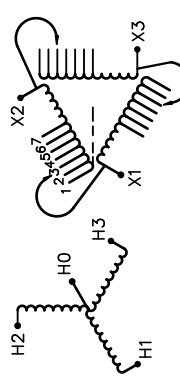


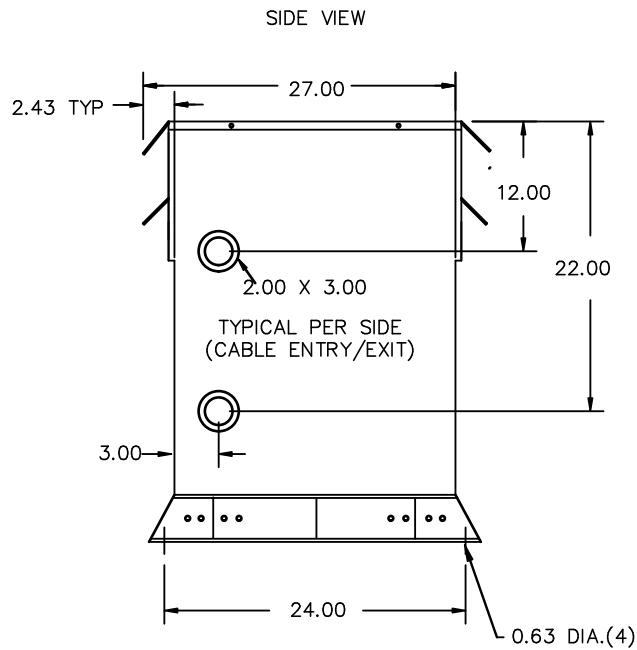
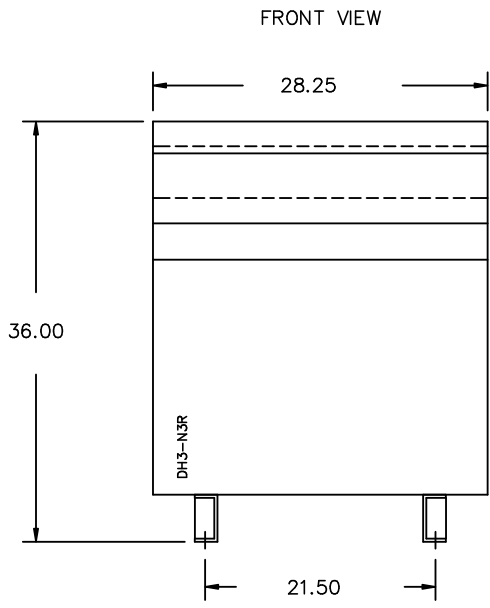
REVISION	DATE	BY	DATE	BY
			16/05/18	PP

Confidential - Property of Siemens Industry, Inc.	
CUSTOMER	
ORDER NO.	DWG. NO.
	3B5Y112BESCD16
	SH 1 OF 2

SIEMENS

<p>CATALOG NO. 3B5Y112BESCD16</p> <p>SERIAL NO. SERIES H</p> <p>112.5 kVA 60 Hz 3 PHASE</p> <p>3.8 % IMP AT 100 °C</p>	<p>80 °C RISE 30 °C AVG. AMBIENT</p> <p>220 °C TEMP CLASS 40 °C MAX. AMBIENT</p> <p>PRIMARY (X1 X2 X3) 208V V 10 kV BIL</p> <p>SECONDARY(H0 H1 H2 H3) 480Y/277V V 10 kV BIL</p> <p>WINDING MATERIAL CU</p> <p>ENCLOSURE TYPE 3R WEIGHT 985 LBS</p> <p>ENERGY EFFICIENCY EXCEEDS CSA C802.2-2012 DOE 10 CFR PART 431:2016</p>	 <p>VOLTS CONNECT</p> <table style="margin-left: 20px;"> <tr><td>218</td><td>1</td></tr> <tr><td>213</td><td>2</td></tr> <tr><td>208</td><td>3</td></tr> <tr><td>203</td><td>4</td></tr> <tr><td>198</td><td>5</td></tr> <tr><td>192</td><td>6</td></tr> <tr><td>187</td><td>7</td></tr> </table>	218	1	213	2	208	3	203	4	198	5	192	6	187	7
218	1															
213	2															
208	3															
203	4															
198	5															
192	6															
187	7															
<p>SPACINGS BETWEEN ANY VENTILATED ENCLOSURE PANEL AND ANY ADJACENT WALL SHALL BE A MINIMUM OF 5 INCHES EXCEPT WHEN WALL MOUNTED USING APPROVED WALL MOUNTING KIT ELECTROSTATIC SHIELD</p> <p>TRANSFORMER SUITABLE FOR STEP UP OPERATION ONLY</p>		<p>TYPE K</p> <p>UL LISTED DRY TYPE TRANSFORMER 77UL5 E112313 LR 3902</p> <p>SEISMIC QUALIFICATIONS, FLOOR MOUNT ONLY OSP-0136-10 IBC 2012/ASCE 7-10 SDS<=2.0g z/h=1 Ip=1.5</p>														
<p>SUITABLE FOR INDOOR OR OUTDOOR LOCATIONS BEFORE HANDLING, INSTALLING AND OPERATING; SEE INSTRUCTION MANUAL</p> <p>NEMA Class ANN Dry Type Transformer</p>		<p>Siemens Industry, Inc. Norcross, GA <small>dsu0086e1</small></p>														





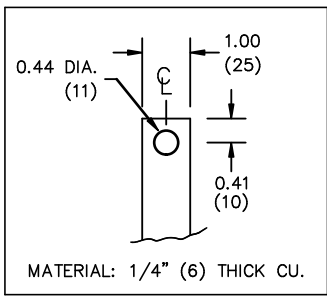
All Dimensions in inches

ENCLOSURE COLOR :ANSI 61 GREY – OUTDOOR

H.V.1. TERMINAL DETAIL

L.V.1. TERMINAL DETAIL

MECHANICAL TYPE LUGS INCLUDED
SUITABLE FOR 250MCM-6 CU/AL
CONDUCTORS
1 CONDUCTOR PER PHASE



CUSTOMER NOTES:

- HV1 TERMINATED AT BOTTOM FRONT
- LV1 TERMINATED AT TOP FRONT

Confidential – Property of
Siemens Industry, Inc.

REVISION	DATE	BY	DATE	BY
			16/05/18	PP

CUSTOMER	
ORDER NO.	DWG. NO.
	3B5Y112BESCD16
	SH 2 OF 2