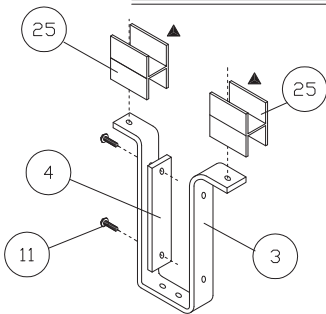


LOCATION DIMENSIONS



TORQUE VALUES

12 10 50 in-lbs. AL.
 72 in-lbs. CU.

NOTES

- (1) FOR PROVISIONS - FILL BLANK SPACE WITH ITEMS #25
- (2) FOR W/SE STRAP KITS SUB-ASSEMBLE ITEMS 3, 4 & 11 BEFORE PACKING

6	1C-267A	3-8-00
5	1C-174B	
4	1C-156	
3	8A-093	
2	973	

1	440	Rev	C.N.	Date	Unless otherwise specified dimensions are in inches Tolerances are non-cumulative and are as follows unless specified otherwise.		
0	414	Down	DB	Date 3-8-00	Confidential - Property of Siemens Industry, Inc. Norcross, GA		
		Chk	RHR	Date 3-8-00	FD FRAME MOUNTING SERIES 6 BRANCH BUS		
		Apvd	RHR	Date 3-8-00	Dwg No.	11-5098-00	Rev. 6
					Scale	NONE	Sheet 1 of 1

Apvd S. H. 4-19-89	ITEM	DESCRIPTION	PC. NO.	QTY.
	1	F6 ØAC FRONT BRANCH BUS	12-7031-01	2
	2	F6 ØAC REAR BRANCH BUS	12-7032-01	2
	* 3	F6 ØB BRANCH BUS	12-7033-01	1
	* 4	F6 ØB HEAT SINK	11-6846-01	2
	5	F6 MOUNTING BRACKET	15-B-3018-02	2
	6	5" F6 COVER PLATE	12-6028-01	1
	7	CIRCUIT I. D. CARD	11-7505-01	2
	8	CARD HOLDER	11-7506-01	2
	9	1/4-20 X 3/8 SHWHSW	11-1553-02	4
	▲ 10	STRAP-BUS HARDWARE KIT	** 11-B-2023-05	1
	* 11	8-32 X 5/8 IHWSW	11-1512-07	4
	12	1/4-20 X 1" SHWHSW	11-1553-09	6
	13	1/4-20 X 4" SRHMS	11-1542-19	4
	14	1/4-20 X 5/8 SHWHSW	11-1553-06	2
	15	BLANK FILLER	12-5531-10	2
	16			
	17			
	18			
	19			
	20			
	21			
	22	NEUTRAL LUG ASSEMBLY	12-B-2105-07	2
	23			
	24			
	25	ØB BARRIER (FOR PROVISIONS)	11-7548-02	4
	26			
	27			
	28	INSTRUCTION SHEET	31-1218-01	1
	29	CARTON LABEL	15-A-1027-01	1
	30	CARTON	48001056	1
	31			
	32			
	33			
	34	* SUB-ASSEMBLE ITEMS 3, 4 & 11 BEFORE PACKING		
	35	FOR SHIPMENT		
	36			
	37			
	38	FD6 FRAME BRANCH BREAKER-TWIN MOUNTED		
	39	70-250A		
	40	FOR BREAKER TYPES: FXD6, FD6, HFD6 ▲		
	41			
	42	** USE 11-B-2022-05 FOR B-PHASE ▲		
	43			
	44	MERCHANDISE KIT NO. SF6D		
Revisions 0: 1A-066 4: 1C-174B 1-5-98 1: 1B-190 1-27-92 5: 1C-206 01-26-98 2: 1B-908 4-13-95 6: 1C-267A 1-18-00 3: 1C-155B 08-13-97 7: 1C-430A 2-21-01	Chk S. H. 4-19-89	By F 2-9-89	Confidential - property of Siemens Industry, Inc. Norcross, GA	
			FD6 FRAME MOUNTING S4/S5 COPPER BRANCH BUS	
			11-5098-03 Dwg No.	
			Sht. 1 Of 1	
			Rev. 9	

FOR USE WITH FXD6, FD6 AND HFD6 FRAME BREAKERS MOUNTED IN SPP/FPP/S5/F2/P5 PANELBOARDS (DEEP BOX).