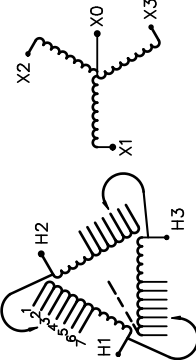



REVISION	DATE	BY	DATE	BY
			16/03/24	PP

Confidential - Property of Siemens Industry, Inc.	
CUSTOMER	
ORDER NO.	DWG. NO.
	3F3Y150FCD16CC
	SH 1 OF 2

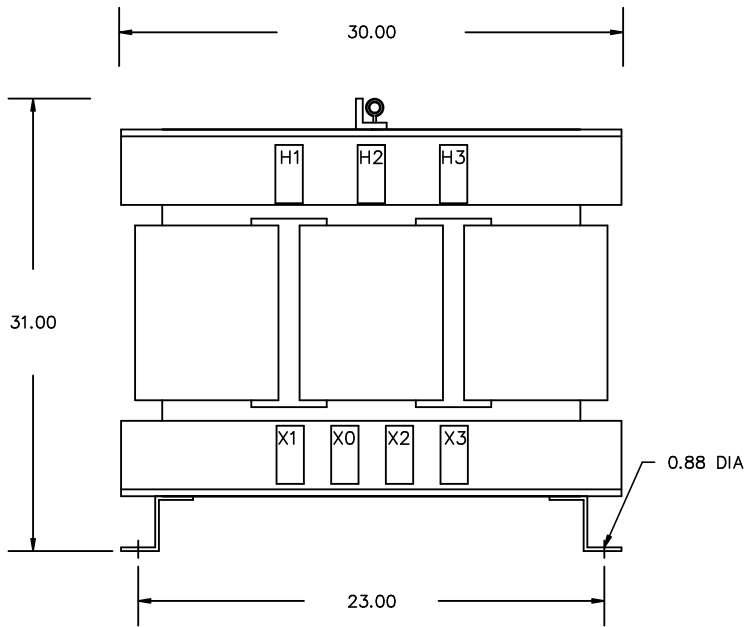
SIEMENS

CATALOG NO. 3F3Y150FCD16CC SERIAL NO. SERIES H 150 kVA 60 Hz 3 PHASE 2.4 % IMP AT 135 °C			
115 °C RISE 220 °C TEMP CLASS	30 °C AVG. AMBIENT 40 °C MAX. AMBIENT	VOLTS 504 492 480 468 456 444 432	CONNECT 1 2 3 4 5 6 7
PRIMARY (H1 H2 H3) 480V V 10 kV BIL SECONDARY(X0 X1 X2 X3) 208Y/120V V 10 kV BIL		WINDING MATERIAL CU ENCLOSURE TYPE - WEIGHT 1300 LBS ENERGY EFFICIENCY EXCEEDS CSA D0E 10 CFR PART 431:2016 C802.2-2012	
SUITABLE FOR INDOOR OR OUTDOOR LOCATIONS BEFORE HANDLING, INSTALLING AND OPERATING, SEE INSTRUCTION MANUAL NEMA Class AN Dry Type Transformer		TYPE J 	
SEISMIC QUALIFICATIONS, FLOOR MOUNT ONLY IBC 2012/ASCE 7-10 SDS<=2.0g Z/h=1 Ip=1.5 dsu0088e			

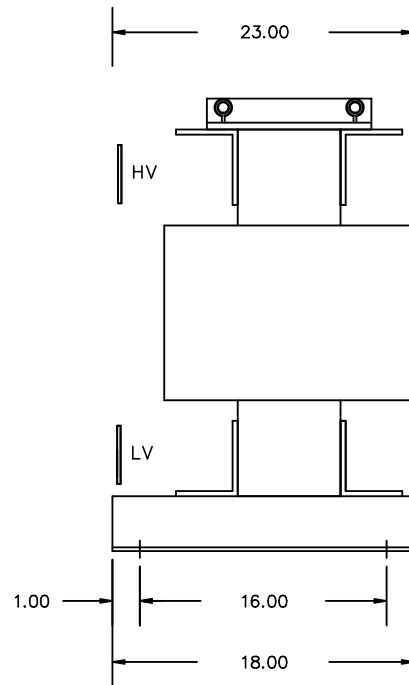


3F3Y150FCD16CC

FRONT VIEW



SIDE VIEW

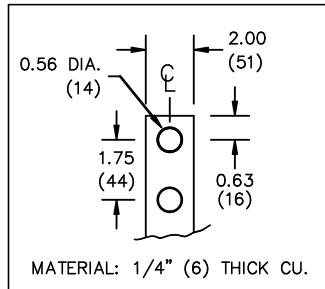


All Dimensions in inches

H.V.1. TERMINAL DETAIL

L.V.1. TERMINAL DETAIL

MECHANICAL TYPE LUGS INCLUDED
SUITABLE FOR 350MCM-6 CU/AL
CONDUCTORS
2 CONDUCTORS PER PHASE



CUSTOMER NOTES:

- HV1 TERMINATED AT TOP FRONT
- LV1 TERMINATED AT BOTTOM FRONT
- DIMENSIONS ARE APPROXIMATE

Confidential - Property of
Siemens Industry, Inc.

REVISION	DATE	BY	DATE	BY
		DRAWN	16/03/24	PP
		CHEK'D		
		VERIF'D		

CUSTOMER	
ORDER NO.	DWG. NO. 3F3Y150FCD16CC
SH 2 OF 2	