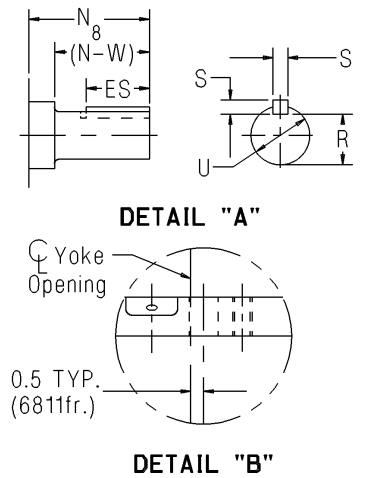
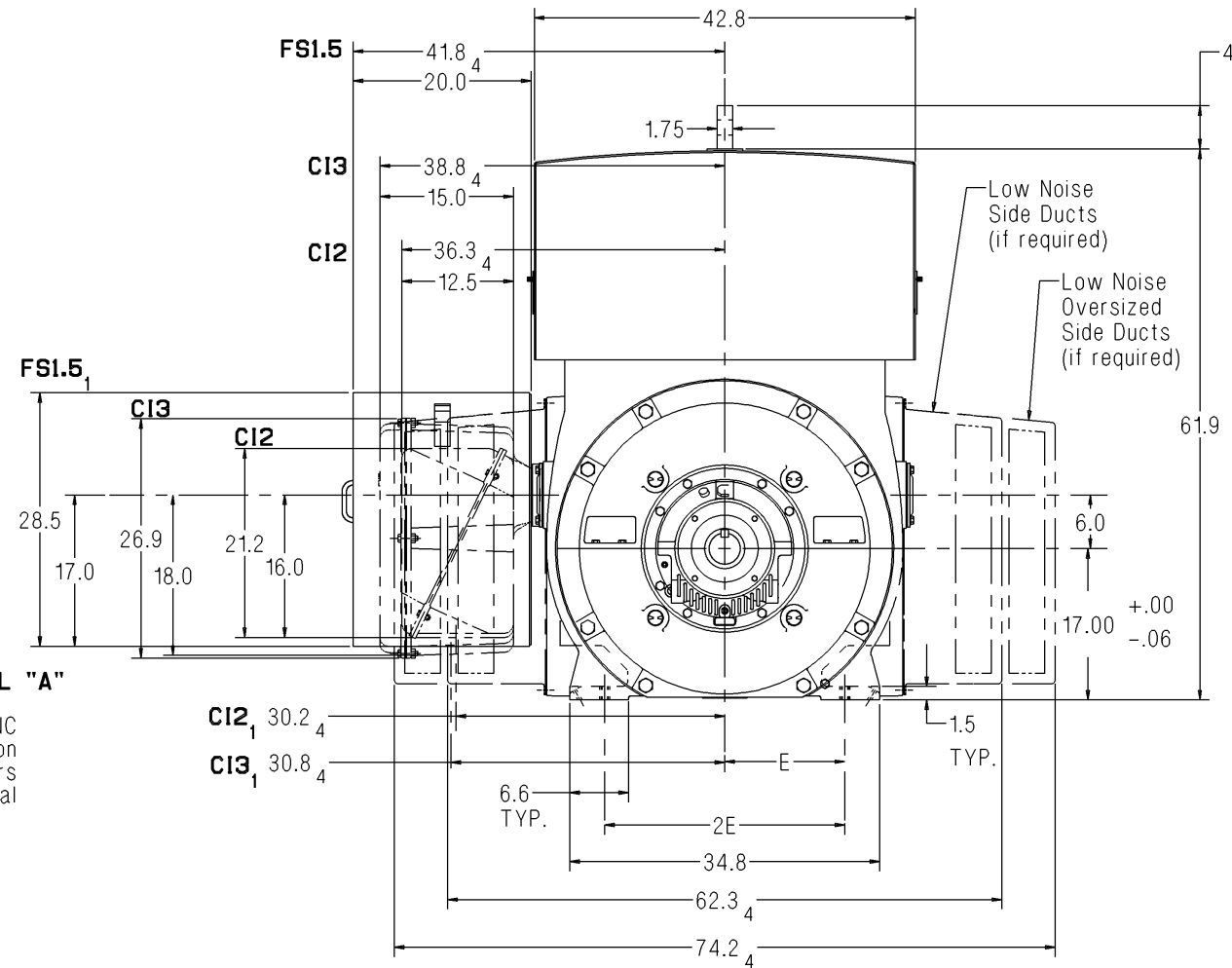
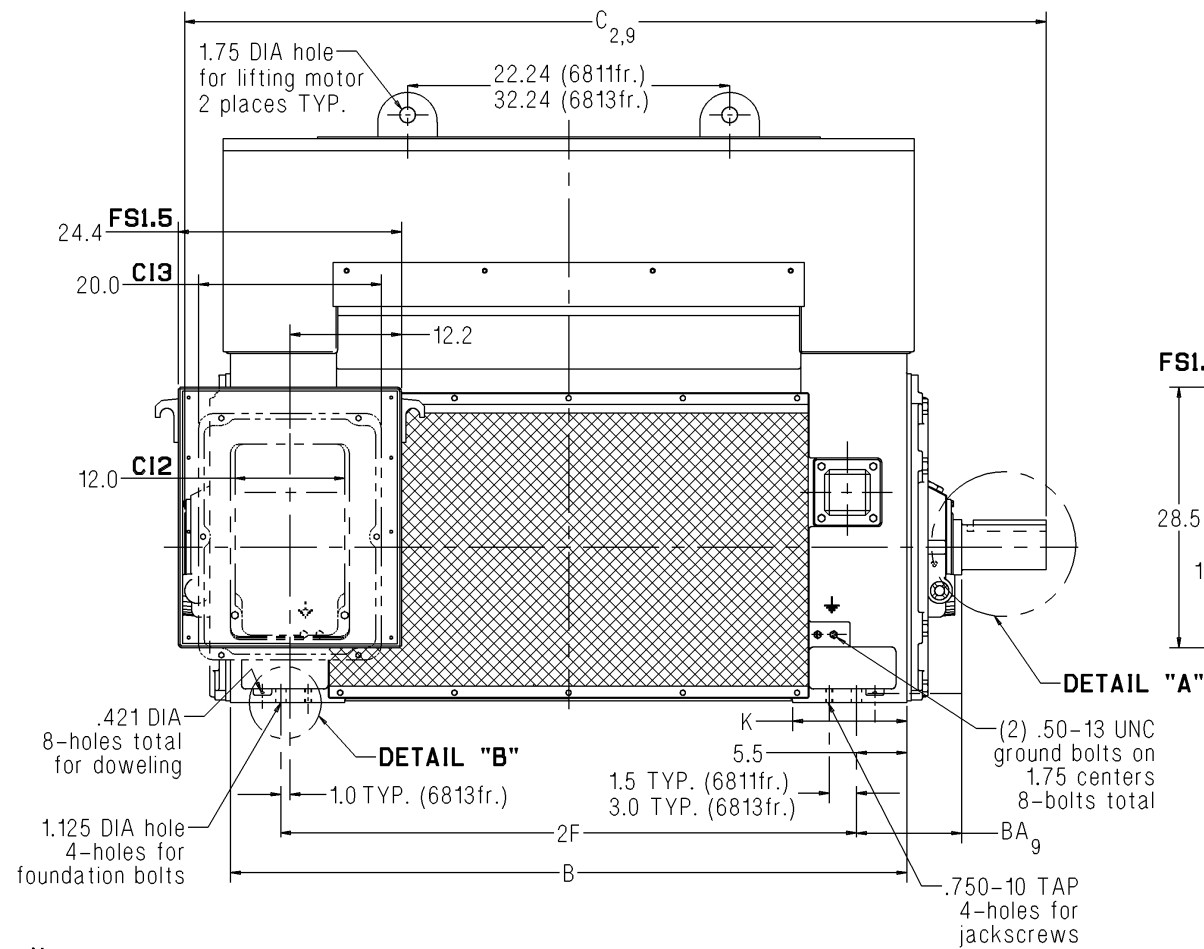


SIEMENS

Dimension Prints for Above NEMA Motors

Type CG – Horizontal – Open Drip Proof / Weather Protected Type I
Sleeve Bearing – Direct Connected
Frames 6811 / 6813 – 6 Pole & Slower – Rotatable Main Conduit Box



Notes:

- Main conduit box may be rotated in steps of 90°. A removable bottom plate is supplied on the FS1.5 conduit box. A 5.0 N.P.T. is supplied on the CI2 and CI3 conduit boxes.
- C = Length of motor from drive end of shaft to end of non-drive end of motor.
- V = (N-W) - 0.25" = length of shaft available for coupling.
- Adding the low noise side ducts requires a 12.0" spacer on both frames for all rotatable conduit boxes. Please note that the 1.125" adapter, already shown, will not be provided. Adding the low noise oversized side ducts requires an 18.0" spacer on both frames for all rotatable conduit boxes. Please note that the 1.125" adapter, already shown, will not be provided. All associated conduit box dimensions will change accordingly.
- Shims may be necessary under motor feet for direct connection.
- Rotor end float = 0.5"
- End float of LEF coupling = 0.19"
- Adding a rotating labyrinth seal to the drive end decreases N by: 6 Pole & Slower: 0.80"
- When adding a ground brush, consult the factory. (BA and C will increase.)
- For motors equipped with provisions for proximity probes use this print for our standard internal mounting.

Lubrication Per Bearing	
6 Pole & Slower	
290-350 SUS @ 100°F	
3.0 qt. capacity	

Standard Dimensions in Inches

Shaft	Frame	Speed	B	BA ₉	C _{2,9}	E	2F	K	N ₈	(N-W)	R	S	U	V ₃	ES	Approx. Ship Wt. (Lbs)
Short	6811	6 Pole & Slower	61.0	11.50	81.3	13.50	50.0	11.0	10.22	9.25	4.676	1.250	5.375	9.00	8.00	11400
Short	6813	6 Pole & Slower	74.0	11.50	94.3	13.50	63.0	12.5	10.22	9.25	4.676	1.250	5.375	9.00	8.00	13700

Certification: Customer _____ P.O. _____ S.O. _____ Item _____
 HP _____ RPM _____ Frame _____ PH/HZ/Volts 3/_____/_____
 By _____ Date _____ Terminal Box Size CI2 CI3 FS1.5

Comments _____
 Not for construction, installation or application purposes unless certified.

CG_680_6plusPL_SLV_ROT
Revision 02
01/21/09