

IF IN DOUBT ASK  
DO NOT SCALE

A

B

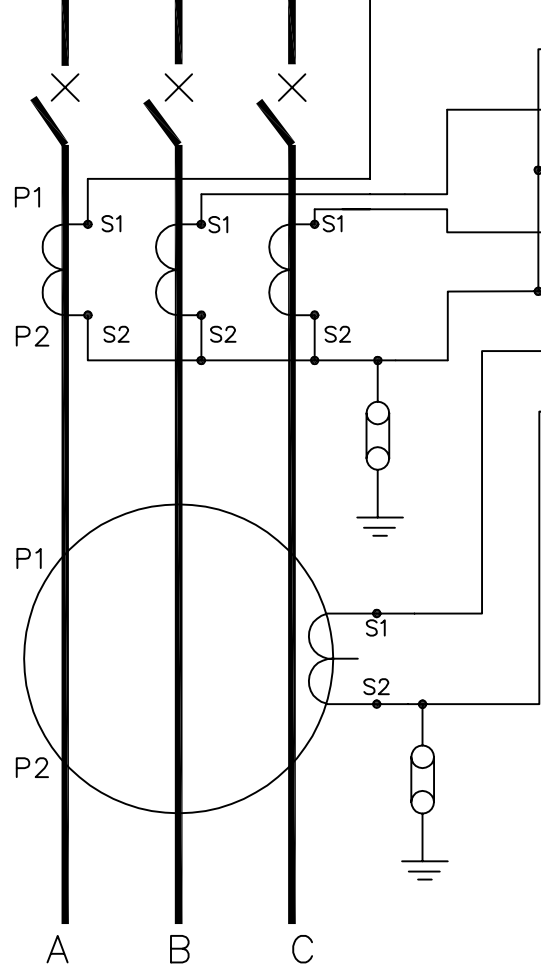
C

D

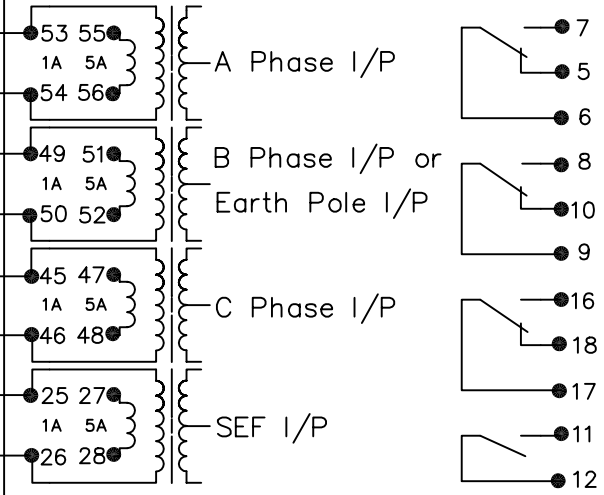
E

F

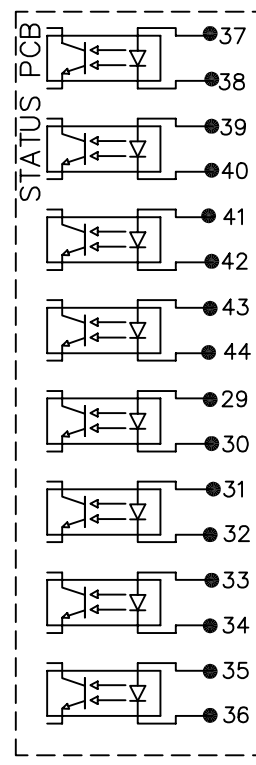
BUSBARS



AG3/AG4(403-404) R6 CASE SIZE



- 7 RELAY 1
- 5
- 6
- 8 RELAY 2
- 10
- 9
- 16 RELAY 3
- 18
- 17 RELAY 4
- 11
- 12
- 19 RELAY 5
- 20
- 21 RELAY 6
- 22
- 23 RELAY 7
- 24



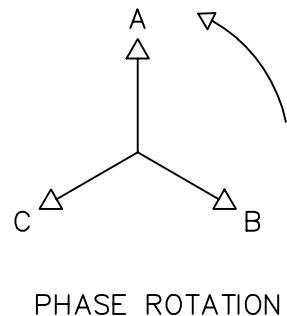
- + ● 37 STATUS I/P 9 (CLOSE & RECLAIM)
- ● 38
- + ● 39 STATUS I/P 8 (TRIP & LOCKOUT)
- ● 40
- + ● 41 STATUS I/P 7 (CB. CLOSED)
- ● 42
- + ● 43 STATUS I/P 6 (CB. OPEN)
- ● 44
- + ● 29 STATUS I/P 5
- ● 30
- + ● 31 STATUS I/P 4
- ● 32
- + ● 33 STATUS I/P 3
- ● 34
- + ● 35 STATUS I/P 2
- ● 36

D.C Auxilliary Input Volts

Earth Case Earth

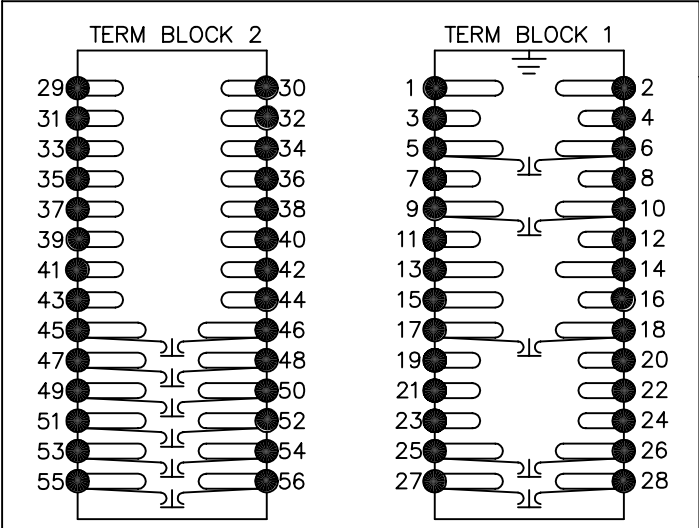
STATUS I/P 1

Fibre-Optic SMA Connectors TX RX



PHASE ROTATION

TERMINAL BLOCKS VIEWED FROM REAR



KEY  
1 Short Terminals  
2 Long Terminals  
3 CT Shorting Links

NOTES

- 1 CT CIRCUITS ARE SHOWN CONNECTED TO RELAY 1 AMP TAP. USE ALTERNATIVE TAP FOR 5AMP RATED CTs.
- 2 CT & EARTH CONNECTIONS ARE TYPICAL ONLY.
- 3 METROSIL & SETTING RESISTORS ARE REQUIRED FOR HIGH IMPEDANCE & RESTRICTED EARTH FAULT APPLICATIONS.
- 4 FOR TERMINAL DIAGRAM SEE 2716W20001 (A2)

**NOT SUBJECT TO UPDATE  
ONCE COPIED / PRINTED  
OR DOWNLOADED**

MATERIAL:

Dimensions in millimetres : Surface texture in micrometres.  
Machine where marked ✓  
For explanation of dimensions, tolerances, notes etc. see B.S.308.  
Limit on untoleranced unmachined dimensions ± \_\_\_\_\_  
Limits on untoleranced machined dimensions to B.S.4500;  
i.e. up to 6±0.1; over 30 to 120±0.3; over 315±0.8;  
over 6 to 30±0.2; over 120 to 315±0.5;  
General unmachined angular tolerance ± \_\_\_\_\_

Finish: \_\_\_\_\_  
Treatment: \_\_\_\_\_

Title: TYPICAL SCHEMATIC DIAGRAM FOR 3 PHASE & SEF OR  
2 PHASE+EARTH+SEF.  
NUMERIC OVERCURRENT PROTECTION ARGUS (3/4)

**Reyrolle Protection  
Hebburn.**

Original Scale.  
NTS

First used on: \_\_\_\_\_  
Similar Articles: \_\_\_\_\_  
Supersedes: \_\_\_\_\_  
Org. No. 2716W10002

1	16/9/98	CHANGE NOTED
ISSUE	DATE	

Copyright © Reyrolle Ltd.