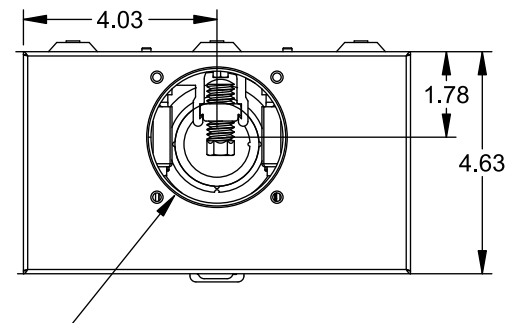


Catalog Number: UAT314-0G

Features and Ratings

- Ringless Type Meter Socket
- 160A Continuous, 200A Max., 600V AC
- Outdoor Enclosure (NEMA Type 3R)
- Painted Steel Enclosure
- 1 Phase, 3 Wire
- 4 Jaw Meter Socket
- Meter Socket Type UAT3
- For Overhead Service Only
- Small Hub Opening



TYPE RX (SMALL) HUB OPENING

Accessories

CONDUIT HUBS (RX Type)	
TRADE SIZE	CATALOG No.
1-1/4 INCH	EC38597 or H38597-2
1-1/2 INCH	EC38598 or H38598-2
2 INCH	EC38599 or H38599-2
2-1/2 INCH	EC38600 or H38600-2

Hub Cover Plate EC38595 or H38595-1

Meter Opening Cover Plate
Cat No: H659-0162

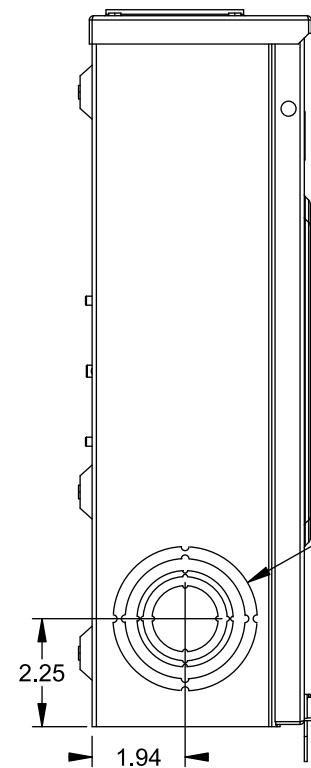
5th Jaw Kit
Cat. No: EC659-0121

Connectors, Wire Sizes and Torques

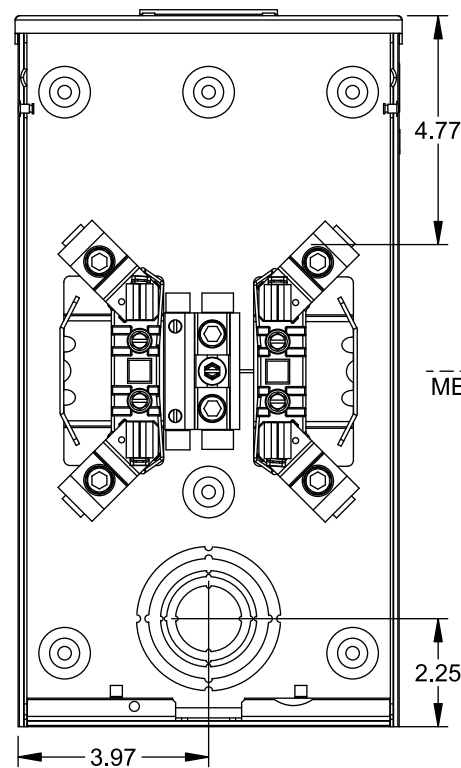
CONNECTOR	WIRE SIZE	TORQUE
LINE, LOAD, NEUTRAL*	#6 - 350 kcmil	250 IN.-LBS.
GROUND	#2 - 14 AWG	50 IN.-LBS.

* External Hex Drive 1/2"
* Internal Hex Drive 5/16"

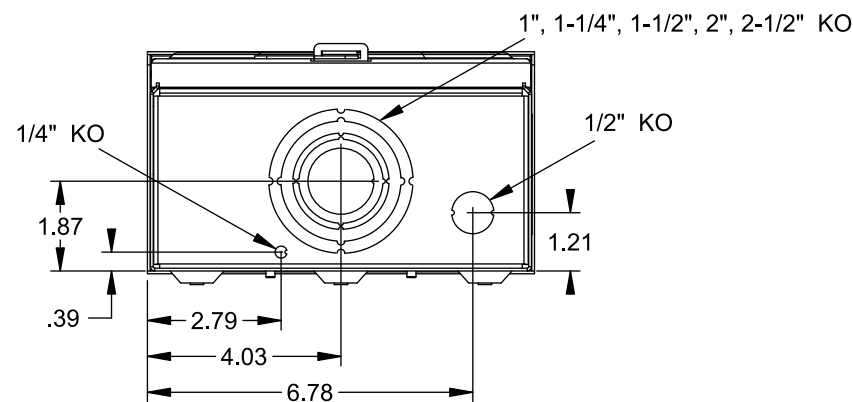
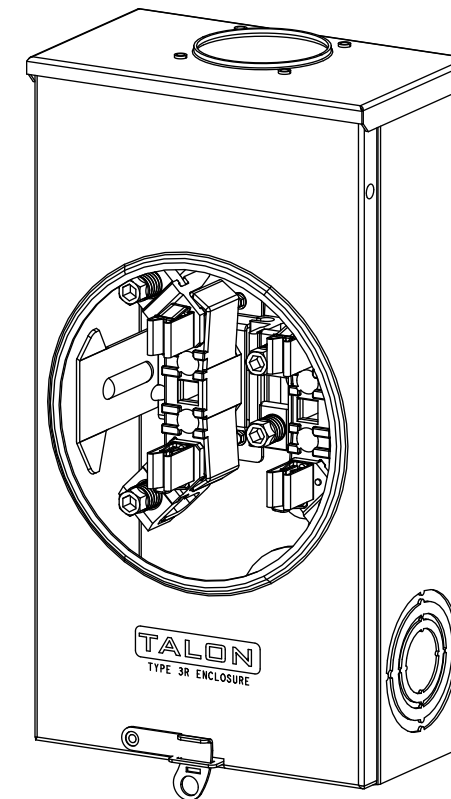
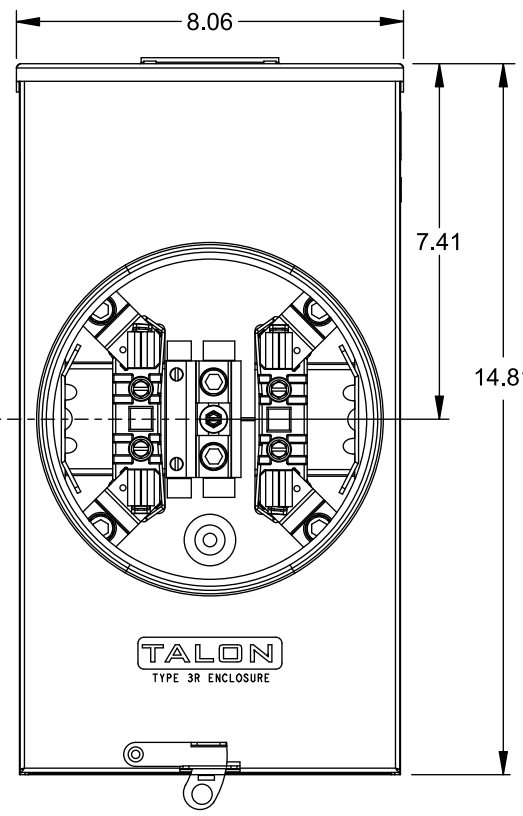
VIEW SHOWN WITH COVER REMOVED



1", 1-1/4", 1-1/2",
2", 2-1/2" KO (3X)



CL OF
METER SOCKET



© 2015 Copyright Siemens Industry, Inc.

TALON
Meter Socket

Description: **160A Cont, 4 Jaw, UAT3,
600V AC, Painted Steel Enclosure**

JEL 6/30/15 DO NOT SCALE DRAWING Dwg No: **UAT314-0G**