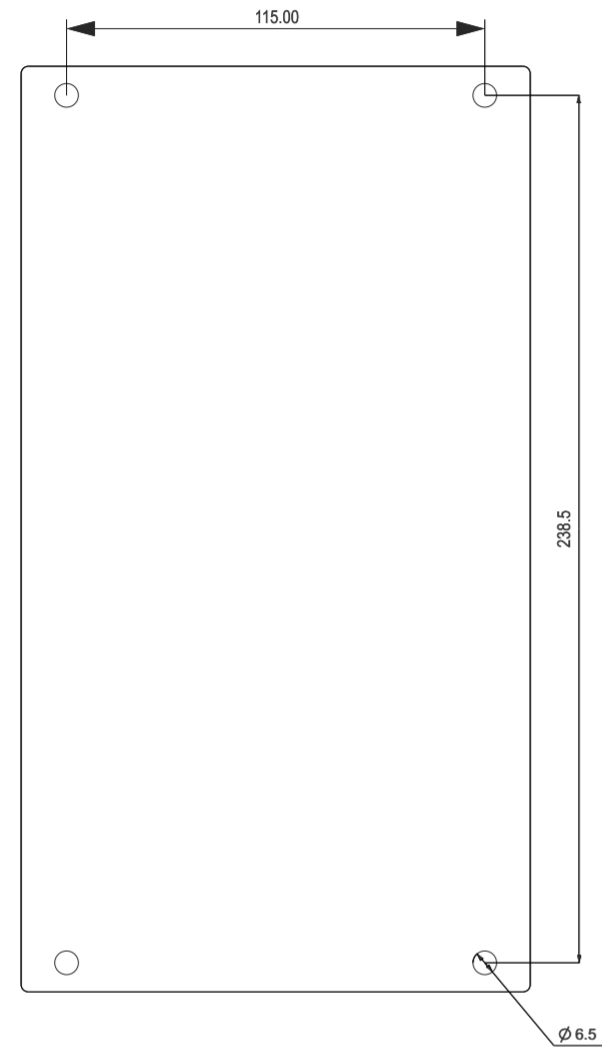


IF IN DOUBT ASK
DO NOT
SCALE

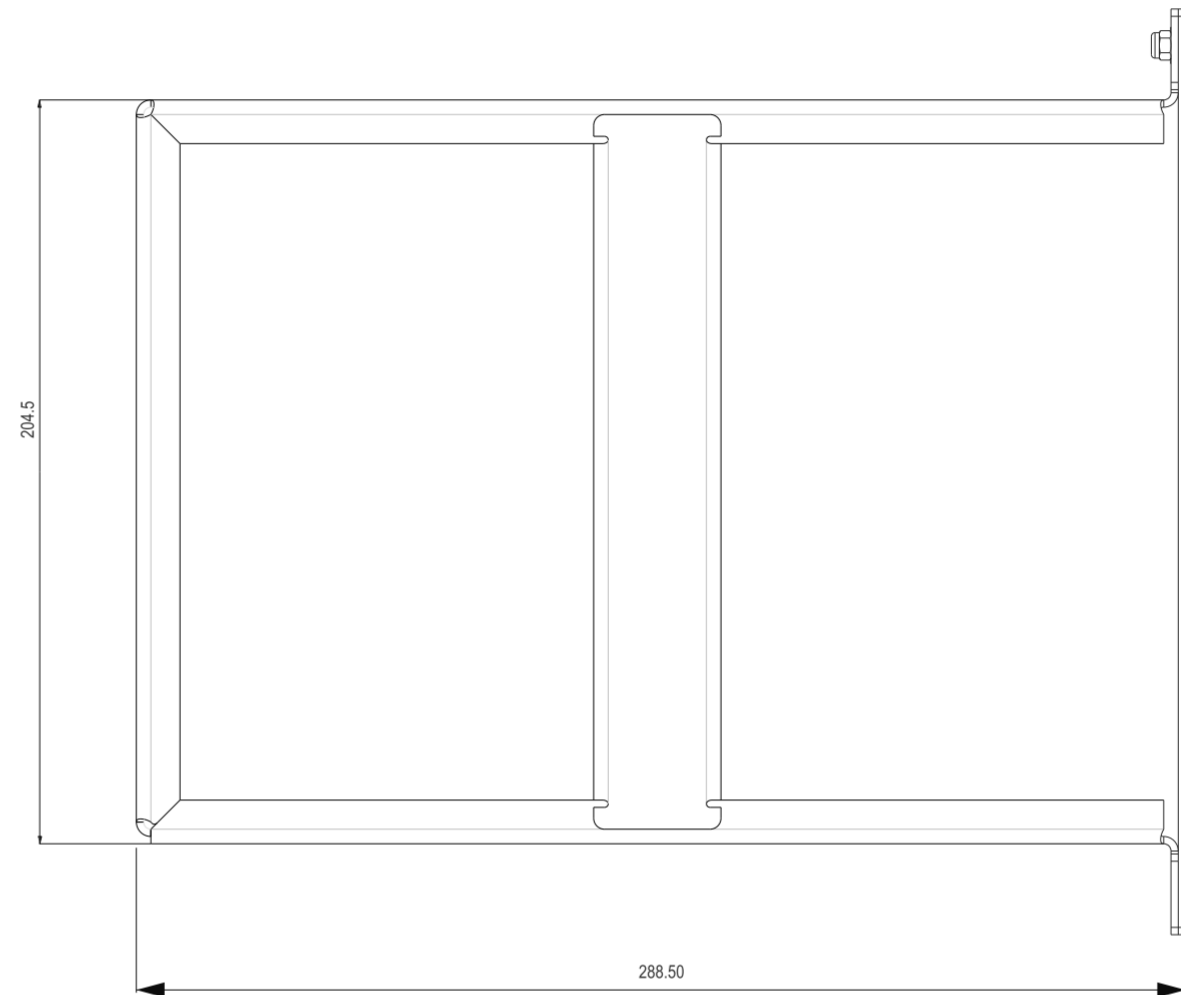
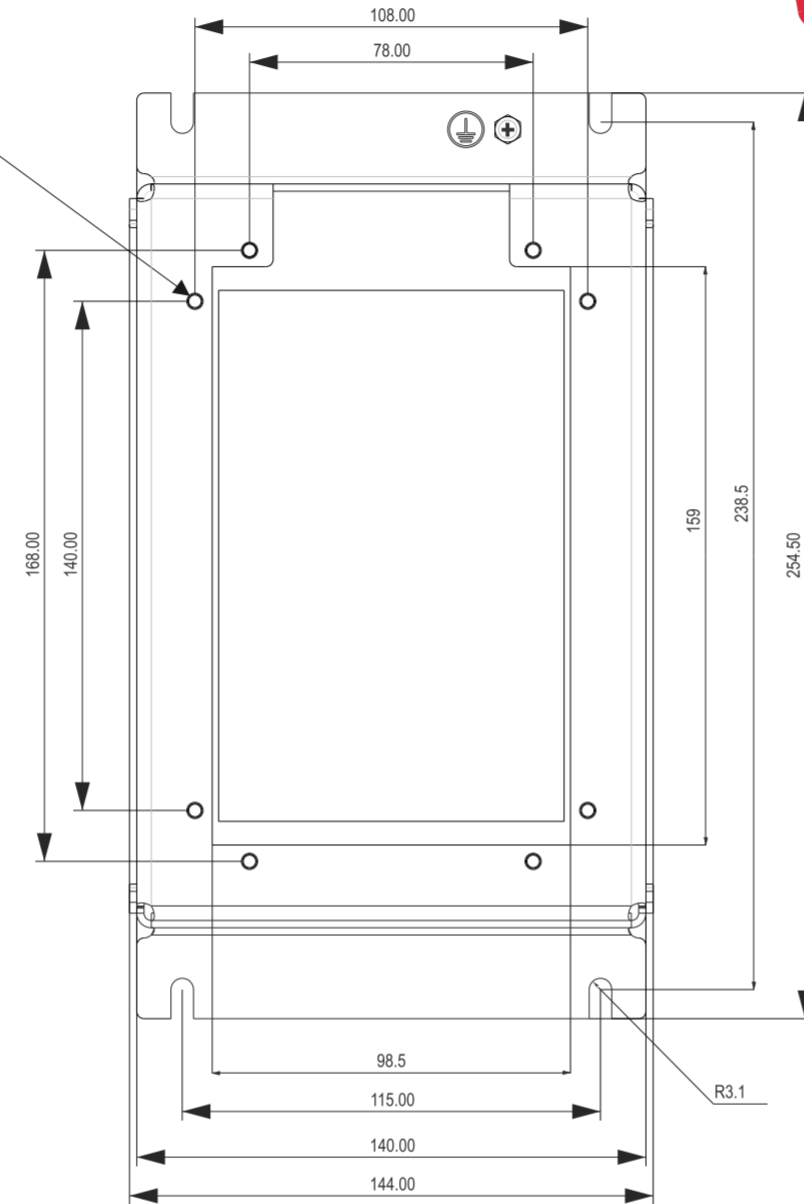
EU EXPORT CONTROLS | **ECCN: N** | **AL: N**
This document is not Export Controlled unless sending to Critical Countries.

**NOT SUBJECT TO UPDATE
ONCE COPIED / PRINTED
OR DOWNLOADED**



Mounting Holes for Surface Mount Bracket

M4 WELDNUT -9NOS.
WELDED



NOTES:-
1. THE SURFACE MOUNTING BRACKET IS MOUNTED USING M6x16 SCREW, FLAT WASHER, HELICAL SPRING LOCK WASHER AND M6 HEX NUT.
2. The Grounding screw is M4 x6mm with M4 Flat washer.

MATERIAL:

Dimensions in millimetres : Surface texture in micrometres.
Machine where marked ✓
For explanation of dimensions, tolerances, notes etc. see B.S.308.
Limit on untoleranced unmachined dimensions`
Limits on untoleranced machined dimensions to B.S.4500;
i.e. up to 6`0.1; over 30 to 120`0.3; over 315`0.8;
over 6 to 30`0.2; over 120 to 315`0.5;
General unmachined angular tolerance`

Finish:

Treatment:

Title:

OVERALL DIMENSIONS & MOUNTING HOLE DIMENSIONS
FOR SURFACE MOUNTING BRACKET

SIEMENS PROTECTION DEVICES LTD.

Original Scale.
: NTS

First used on:

Similar Articles:

Supersedes:

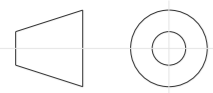
Drg. No.

2995X10027

Copyright © Siemens Protection Devices Ltd. Hebburn

1	19/07/21	CHANGE
ISSUE	DATE	NOTED

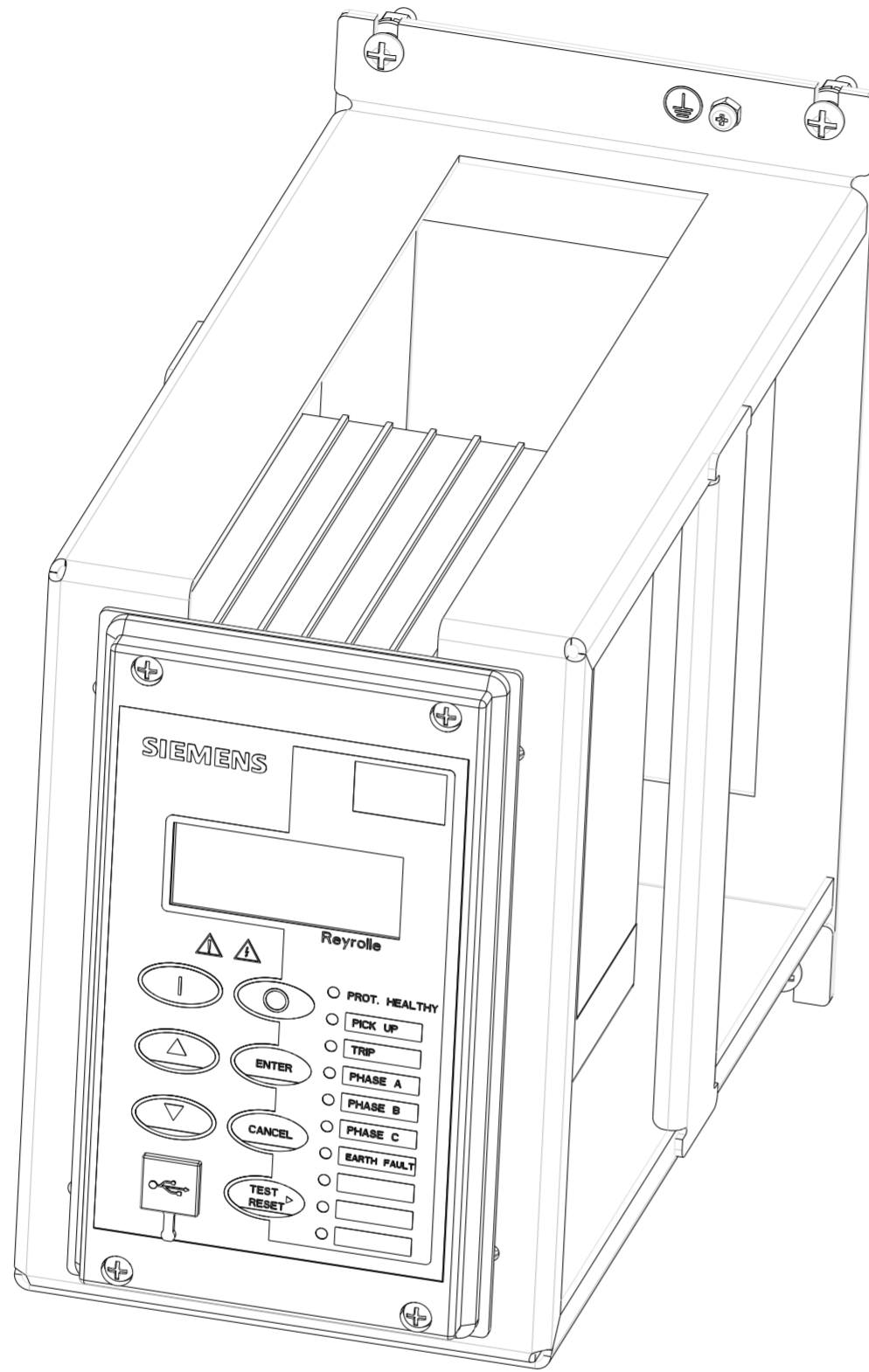
DRAWN	AMAR	CHECKED	DIPU	APPROVED	JATIN	DATE	19/07/21	IE	OPS	PCP	Purch.Spec.	TQ	EAC	CE	STD	A3
-------	------	---------	------	----------	-------	------	----------	----	-----	-----	-------------	----	-----	----	-----	----



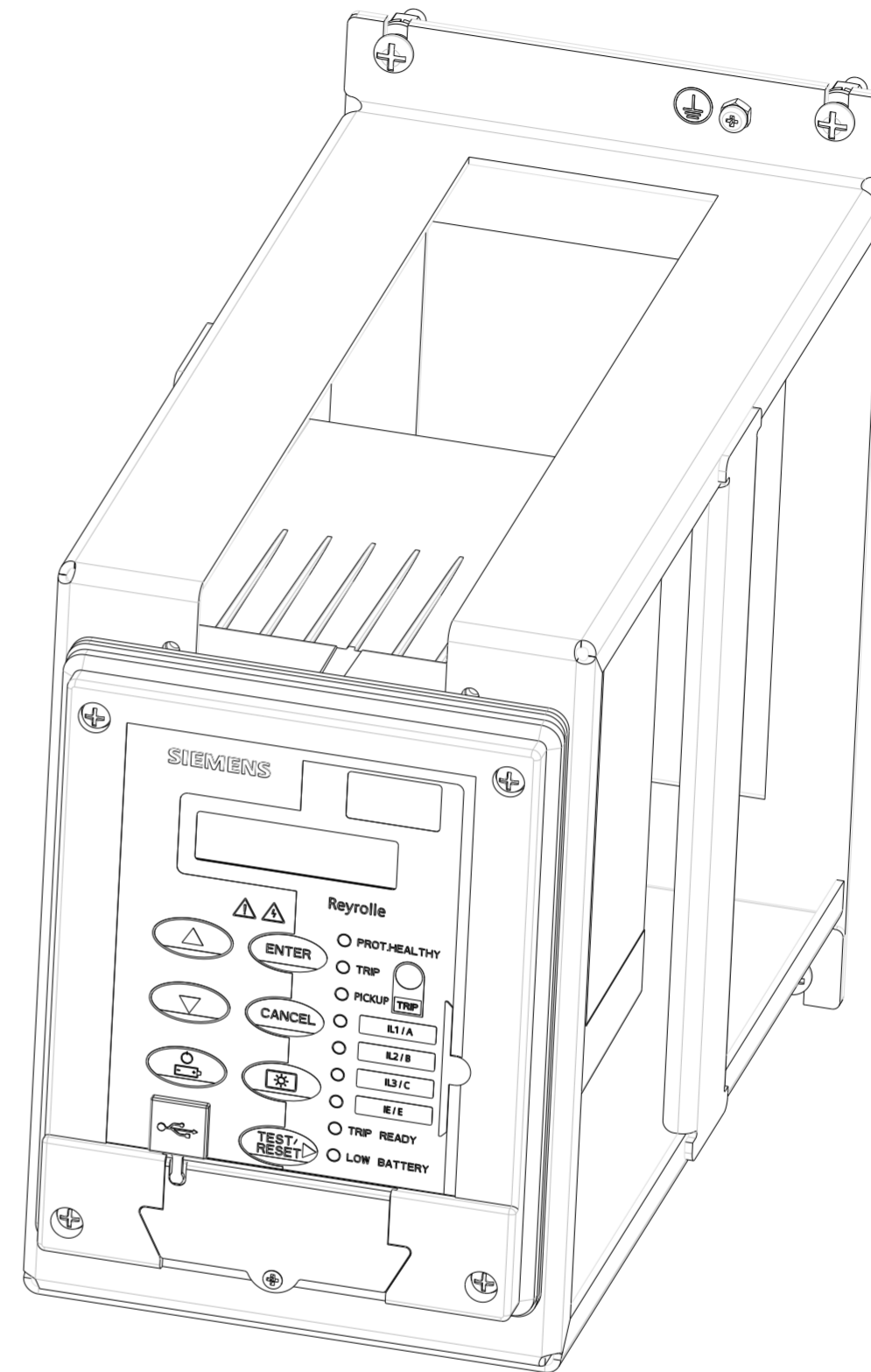
IF IN DOUBT ASK
DO NOT
SCALE

EU EXPORT CONTROLS **ECCN: N** **AL: N**
This document is not Export Controlled unless sending to Critical Countries.

**NOT SUBJECT TO UPDATE
ONCE COPIED / PRINTED
OR DOWNLOADED**



7SR10



7SR45

NOTES:-

1. THE SURFACE MOUNTING BRACKET IS MOUNTED USING M6x16 SCREW, FLAT WASHER, HELICAL SPRING LOCK WASHER AND M6 HEX NUT.
2. The Grounding screw is M4 x6mm with M4 Flat washer.

MATERIAL:

Dimensions in millimetres : Surface texture in micrometres.
Machine where marked ✓
For explanation of dimensions, tolerances, notes etc. see B.S.308.
Limit on untoleranced unmachined dimensions`
Limits on untoleranced machined dimensions to B.S.4500;
i.e. up to 6`0.1; over 30 to 120`0.3; over 315`0.8;
over 6 to 30`0.2; over 120 to 315`0.5;
General unmachined angular tolerance`

Copyright © Siemens Protection Devices Ltd. Hebburn

1	19/07/21	CHANGE
ISSUE	DATE	NOTED

Finish:	Title: OVERALL DIMENSIONS & MOUNTING HOLE DIMENSIONS FOR SURFACE MOUNTING BRACKET	First used on:
		Similar Articles:
Treatment:	SIEMENS PROTECTION DEVICES LTD.	Supersedes:
		Original Scale: : NTS
		Drg. No. 2995X10027

DRAWN	AMAR	CHECKED	DIPU	APPROVED	JATIN	DATE	19/07/21	IE	OPS	PCP	Purch.Spec.	TQ	EAC	CE	STD	A3
-------	------	---------	------	----------	-------	------	----------	----	-----	-----	-------------	----	-----	----	-----	----