

SIEMENS

CATALOG NO. 3F3Y045FD16

SERIAL NO.

SERIES H

45 kVA 60 Hz 3 PHASE

3.3 % IMP AT 135 °C

115 °C RISE 30 °C AVG. AMBIENT

220 °C TEMP CLASS 40 °C MAX. AMBIENT

PRIMARY (H1 H2 H3) 480V V 10 kV BIL

SECONDARY(X0 X1 X2 X3) 208Y/120V V 10 kV BIL

WINDING MATERIAL AL

ENCLOSURE TYPE 3R WEIGHT 550 LBS

ENERGY EFFICIENCY EXCEEDS CSA DOE 10 CFR PART 431:2016
C802.2-2012

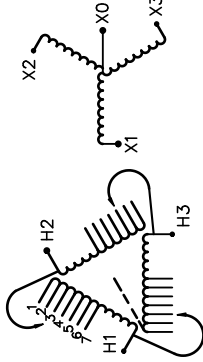
SPACINGS BETWEEN ANY VENTILATED ENCLOSURE PANEL AND
ANY ADJACENT WALL SHALL BE A MINIMUM OF 5 INCHES
EXCEPT WHEN WALL MOUNTED USING APPROVED WALL MOUNTING KIT

SUITABLE FOR INDOOR OR OUTDOOR LOCATIONS
BEFORE HANDLING, INSTALLING AND OPERATING, SEE INSTRUCTION MANUAL

NEMA Class ANN Dry Type Transformer

Siemens Industry, Inc. Norcross, GA

des00066



VOLTS	CONNECT
504	1
492	2
480	3
468	4
456	5
444	6
432	7



TYPE K



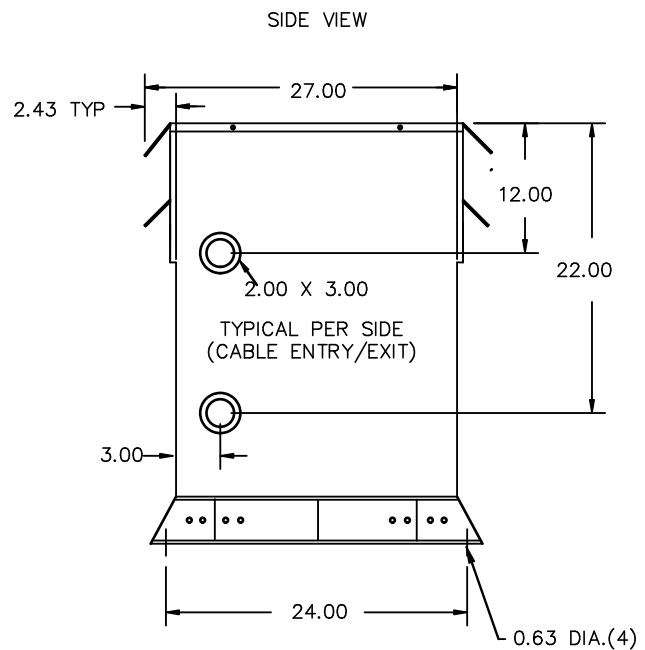
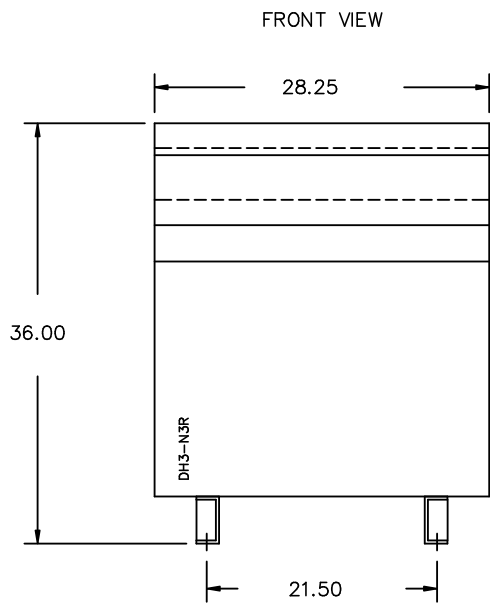
SEISMIC QUALIFICATIONS, FLOOR MOUNT ONLY
OSP-0136-10 IBC 2012/ASCE 7-10
SDS<=2.0g Z/h=1 Ip=1.5

3F3Y045FD16



REVISION	DATE	BY	DATE	BY
		DRAWN	15/11/09	JW
		CHEK'D		
		VERIF'D		

Confidential - Property of Siemens Industry, Inc.		
CUSTOMER	ORDER NO.	DWG. NO.
		3F3Y045FD16
		SH 1 OF 2



All Dimensions in inches

ENCLOSURE COLOR :ANSI 61 GREY - OUTDOOR

H.V.1. TERMINAL DETAIL

L.V.1. TERMINAL DETAIL

MECHANICAL TYPE LUGS INCLUDED
SUITABLE FOR #2/0-14 CU/AL
CONDUCTORS
1 CONDUCTOR PER PHASE

MECHANICAL TYPE LUGS INCLUDED
SUITABLE FOR 600MCM-2 CU/AL
CONDUCTORS
1 CONDUCTOR PER PHASE

CUSTOMER NOTES:
- HV1 TERMINATED AT TOP FRONT
- LV1 TERMINATED AT BOTTOM FRONT

Confidential - Property of
Siemens Industry, Inc.

REVISION	DATE	BY	DATE	BY
			DRAWN 15/11/09	JW
			CHEK'D	
			VERIF'D	

CUSTOMER		
ORDER NO.	DWG. NO. 3F3Y045FD16	SH 2 OF 2

0.0 jwen 2015/11/09 11:26