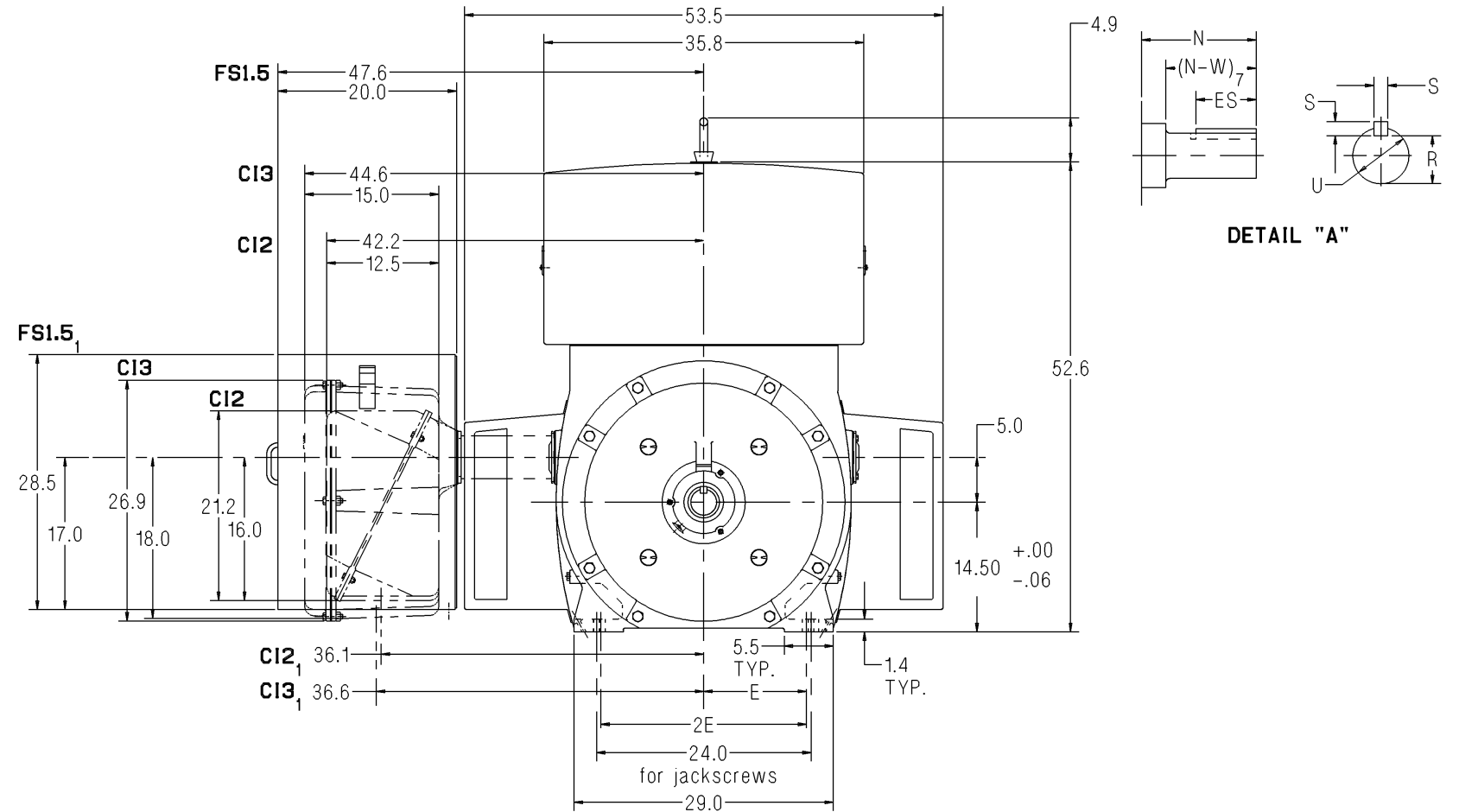
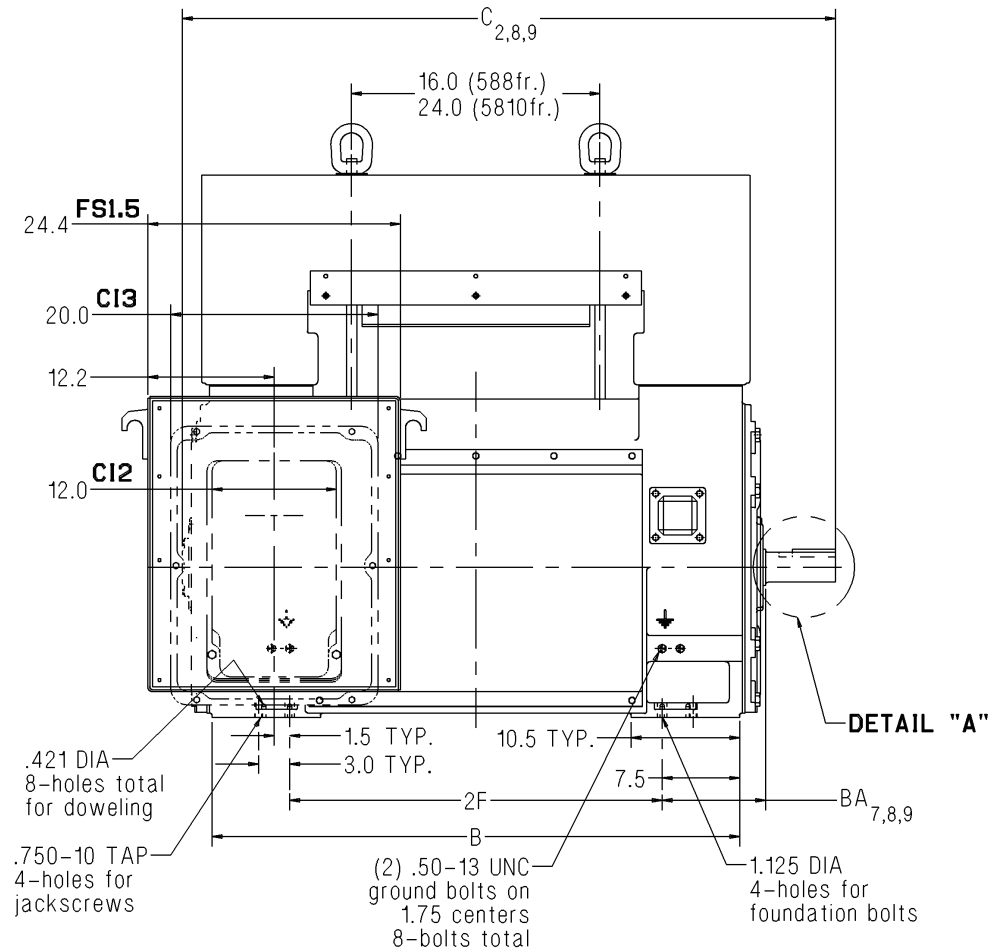


SIEMENS

Dimension Prints for Above NEMA Motors

Type CG – Horizontal – Open Drip Proof / Weather Protected Type I
Anti-Friction Bearing
Frames 588 / 5810 – 2 & 4 Pole – Rotatable Main Conduit Box



Notes:

1. Main conduit box may be rotated in steps of 90°.
A removable bottom plate is supplied on the FS1.5 conduit box.
A 5.0 N.P.T. is supplied on the CI2 and CI3 conduit boxes.
A 10.75" spacer is supplied on both frames for all rotatable conduit boxes.
2. C = Length of motor from drive end of shaft to end of non-drive end of motor.
3. V = (N-W)-0.25" = length of shaft available for coupling. Note: When adding a rotating labyrinth seal, (N-W) will change so V will change accordingly.
4. 2 Pole machines may rotate in one direction only.
5. Shims may be necessary under motor feet for direct connection.
6. Short shaft is for direct connection. Long shaft may be either belt drive or direct connection depending upon the bearing installed in the motor.
7. Adding a rotating labyrinth seal to the drive end increases BA and decreases (N-W) by:
2 Pole: 0.28" 4 Pole: 0.28" Long Shaft 4 Pole: 0.28"
8. Adding a ground brush increases BA and C by:
2 Pole: 2.50" 4 Pole: 2.50" Long Shaft 4 Pole: 2.50"
9. Adding a ground brush with rotating labyrinth seal increases BA and C by:
2 Pole: 2.75" 4 Pole: 2.75" Long Shaft 4 Pole: 2.75"

Standard Dimensions in Inches

Shaft	Frame	Speed	B	BA _{7,8,9}	C _{2,8,9}	E	2F	N	(N-W) ₇	R	S	U	V ₃	ES	Approx. Ship Wt. (Lbs)
Short	588S	2 Pole	43.0	10.00	55.1	11.50	28.0	7.00	6.75	2.450	0.750	2.875	6.50	5.0	5200
Short	588S	4 Pole	43.0	10.00	56.4	11.50	28.0	8.25	8.00	3.436	1.000	4.000	7.75	6.0	5400
Short	5810S	2 Pole	51.0	10.00	63.1	11.50	36.0	7.00	6.75	2.450	0.750	2.875	6.50	5.0	6350
Short	5810S	4 Pole	51.0	10.00	64.4	11.50	36.0	8.25	8.00	3.436	1.000	4.000	7.75	6.0	6550
Long	588	4 Pole	43.0	10.00	63.0	11.50	28.0	14.90	14.62	4.169	1.250	4.875	14.38	13.0	5400
Long	5810	4 Pole	51.0	10.00	71.0	11.50	36.0	14.90	14.62	4.169	1.250	4.875	14.38	13.0	6550

Certification: Customer _____ P.O. _____ S.O. _____ Item _____
 HP _____ RPM _____ Frame _____ PH/HZ/Volts 3/_____/_____
 By _____ Date _____ Terminal Box Size CI2 CI3 FS1.5
 Comments _____
 Not for construction, installation or application purposes unless certified.

CG_580_2-4PL_AF_ROT
Revision 01
01/27/09