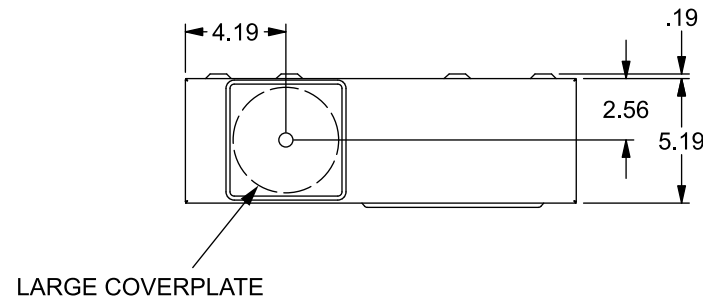


Catalog Number: 48004-82FL

Features and Ratings

- Ringless Type Meter Socket
- 320A Continuous, 400A Max., 600V AC
- Outdoor Enclosure (NEMA Type 3R)
- Painted G90 Steel Enclosure
- 1 Phase, 3-Wire, Commercial Socket
- 4 Jaw Meter Socket, Type HQ-4SWT
- For Overhead & Underground Service
- HD Type Hub Opening w/Large Coverplate
- Lever Bypass
- Side Wired



Accessories

CONDUIT HUBS (HD Type)	
TRADE SIZE	CATALOG No.
3 INCH	EC56856 or H56856-2
3-1/2 INCH	EC56857 or H56857-2
4 INCH	EC56858 or H56858-2
Hub Cover Plate	EC56933 or H56933S

Meter Opening Cover Plate
Cat No: H659-0162

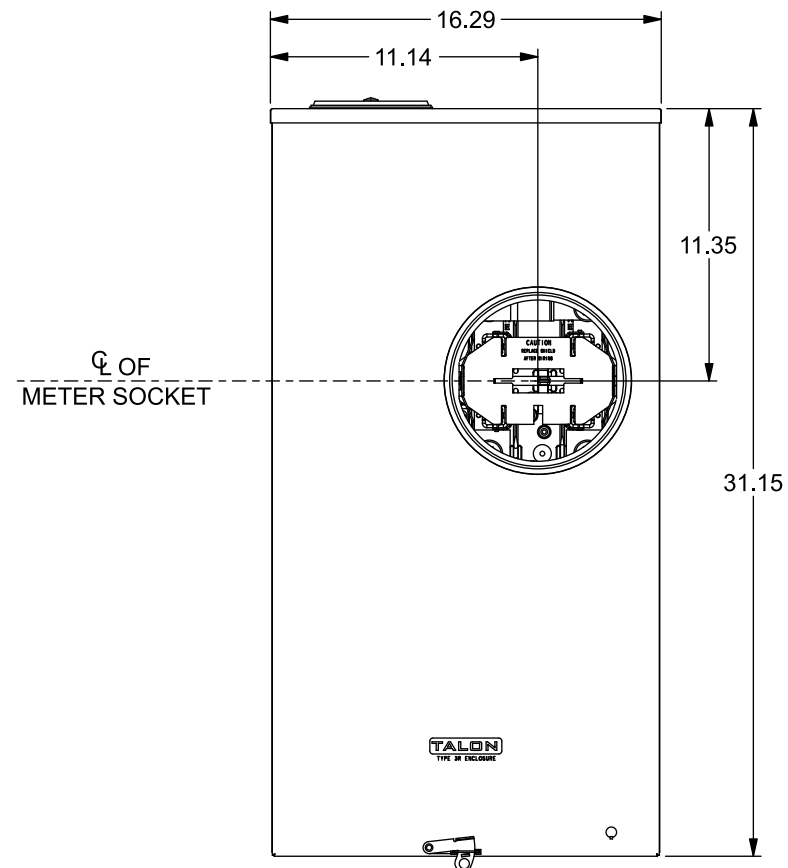
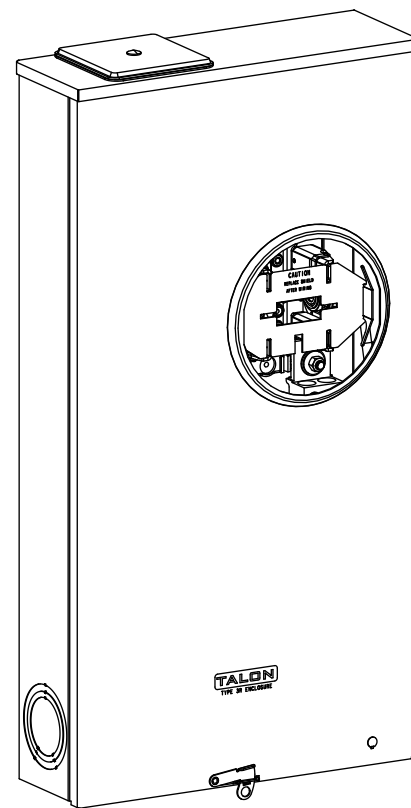
Shield Assembly with 5th Jaw
Cat No: H35815-5

Connectors, Wire Sizes and Torques

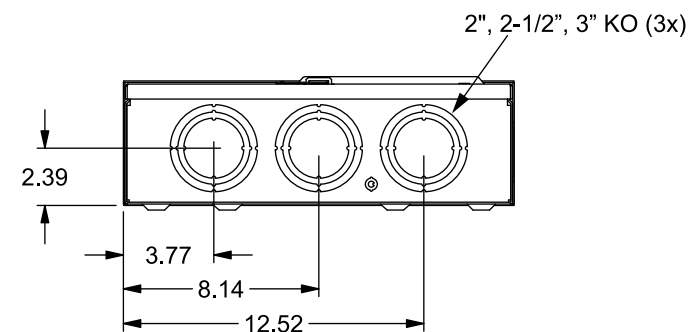
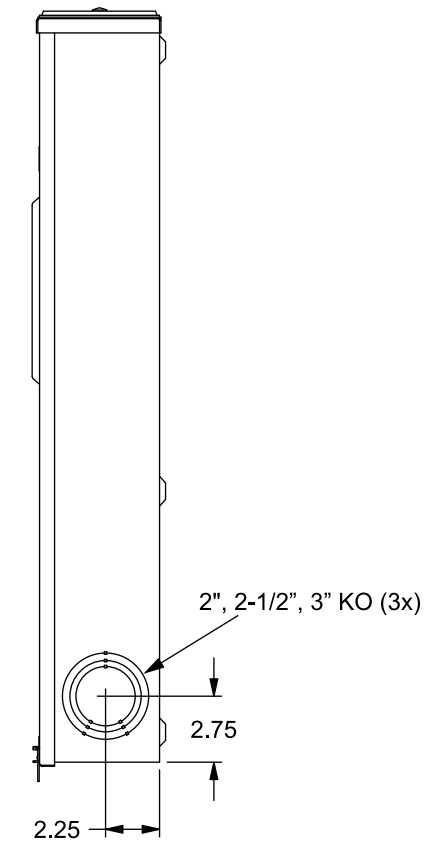
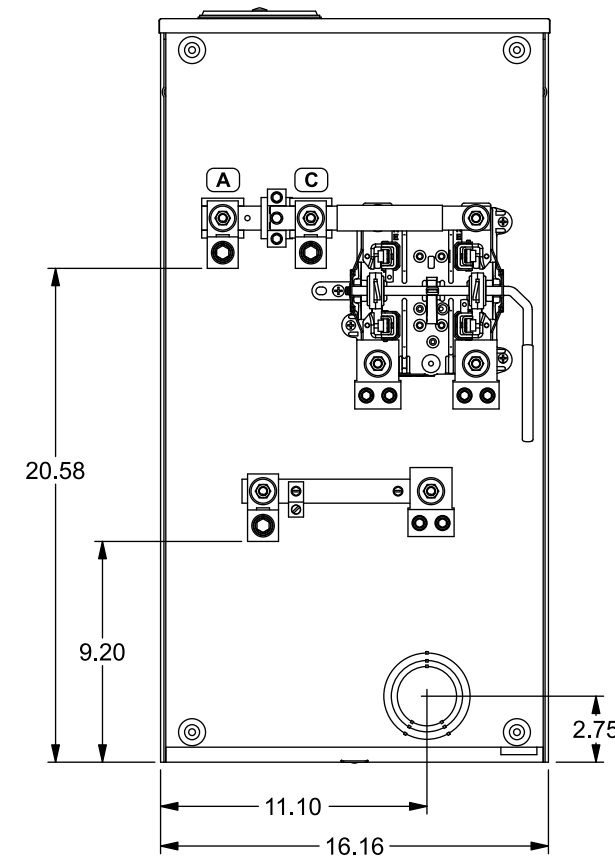
RECOMMENDED OR INSTALLED CONNECTORS
(Tightening Torque For Connector Mounting Nuts is 300 Lb-In)

LOCATION	PART NO.	WIRE SIZE	TORQUE
LINE*	H60162	#4 AWG-600 kcmil (2)#1/0 AWG-250 kcmil	500 LB-IN
LINE	H56476	#3/0 AWG-800 kcmil	500 LB-IN
LINE	H56732	(2)#4 AWG-350 kcmil	275 LB-IN
LOAD	H60162	#4 AWG-600 kcmil (2)#1/0 AWG-250 kcmil	500 LB-IN
LOAD	H56476	#3/0 AWG-800 kcmil	500 LB-IN
LOAD*	H56732-2	(2)#6 AWG-350 kcmil	275 LB-IN
NEUTRAL*	H60162	#4 AWG-600 kcmil (2)#1/0 AWG-250 kcmil	500 LB-IN
NEUTRAL	H56476	#3/0 AWG-800 kcmil	500 LB-IN
NEUTRAL*	H56732-2	(2)#6 AWG-350 kcmil	275 LB-IN
GROUND*	67554A	#14 - 2/0 AWG	50 LB-IN

* indicates factory installed connectors



VIEW SHOWN WITH COVER AND SHIELD REMOVED



© 2017 Copyright Siemens Industry, Inc.

TALON

Meter Socket

Description: **320A Cont, 4 Jaw, HQ-4SWT, 600V AC, Painted Steel Enclosure**

KAM 12/5/17 DO NOT SCALE DRAWING Dwg No: **48004-82FL**