



# Desigo® Fire Safety Compact

Fire protection that combines flexibility and innovation in a cost-effective system

The Desigo Fire Safety Compact panel, available in 252 (FC2025) or 504 (FC2050) points, is an intelligent fire alarm control panel that is scalable to meet customers' evolving needs and is customizable, allowing you to build the most cost effective system for any mid-to-large facility.

## Flexible System Design

Desigo Fire Safety Compact is a versatile, flexible and efficient system which offers capabilities to:

- See all fire and non-fire emergency events on a single display
- Control a network of systems as though it were all a local panel
- Digital voice technology for intelligible emergency communication
- Benefit from a broad range of detectors with more than 20 selectable detection profiles that offer coverage for all types of application areas, from clean to dirty environments
- Detectors featuring unique **ASAt**technology™ offer reliable detection without false alarms
- Remotely view and evaluate the system to increase service efficiency and minimize maintenance time to save time and money
- Mixed functionality loops let you mix and match detectors and modules on circuits
- Increase resiliency and survivability with addressable devices that have built-in isolation (**ISO**technology), that provides Class-X configurable isolation at no additional cost
- Ensure that smoke controls in the instance of a fire are programmed and controlled easily from the panel

**Protect your investment** in your existing systems, as the Desigo Fire Safety Compact is backwards compatible with Siemens legacy systems and devices. This provides the ability to retain all field devices as you update your FS-250 or MXL/MXL-IQ panels.

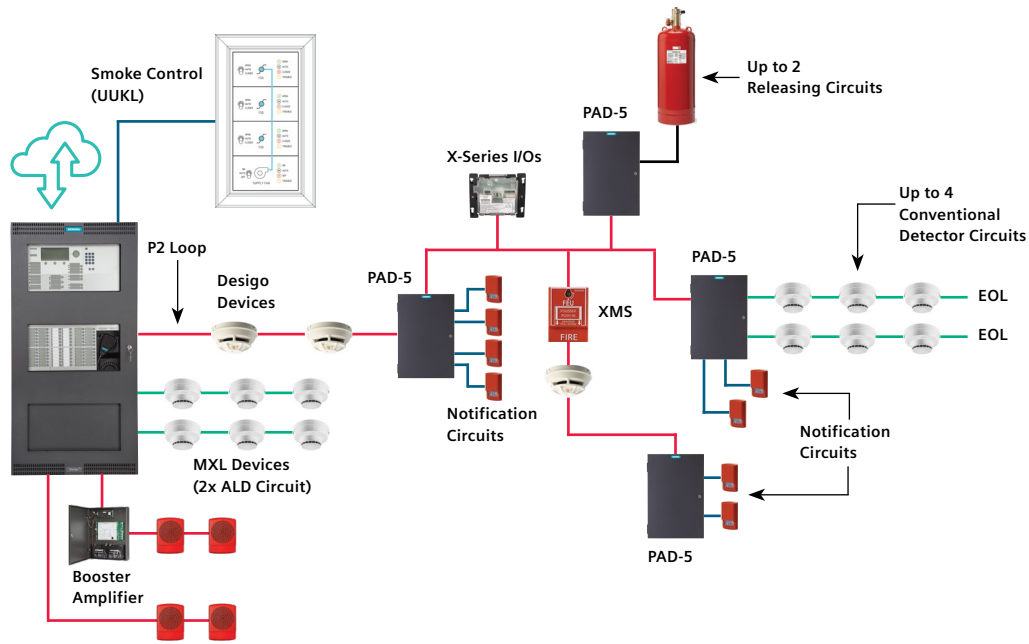


## Key Benefits

- UUKL approval for smoke control applications
- Safe and secure connection provides protection from cyber-security threats
- Fire and voice communication in one integrated system
- Network up to 32 nodes via CAT5 or Fiber
- UL/ULC Listed for fire (UL864 & ULC 527) and mass notification
- (UL2572 & ULC 576) in one panel
- Built-in short circuit protection (**ISO**technology™)
- Digital voice technology – the industry's best intelligibility – communicates 300 clear messages

**SIEMENS**

[usa.siemens.com/desigo-fire-safety](https://usa.siemens.com/desigo-fire-safety)



## Industry-leading Detection

Siemens family of detectors and fire panels provide the innovative features and digital intelligence for the most reliable fire alarm system available.

- **Distributed digital intelligence:** Siemens detection devices provide decision making and storage of critical data at the device, improving reliability and speed of communication.
- **ISOtechnology** short circuit protection is built into a full range of addressable devices including detectors, modules and pull stations.
- **Full range of detection options:** compatibility with a wide variety of detection options allows the protection of environments, from sensitive to harsh, to be protected with equal reliability. Choose from optical, thermal optical+thermal, or dual-optical+dual thermal detectors with **ASAtchnology**.
- **The industry's only No-False Alarm Guarantee** offers the earliest possible warning without false alarms with **ASAtchnology** detectors.

## Applications

The Compact system is suitable for a variety of mid-size to large facilities, such as:

- Marine
- K-12 Schools
- Mixed Use Buildings
- Data Centers
- Hospitality (Hotel / Motel)
- Low & Mid Rise Office Buildings

## Coast Guard Approvals

Desigo Fire Safety Compact fire systems have been granted an Exceptional Degree of Protection by the United States Coast Guard. The additional approval allows the use of the Siemens equipment in locations exposed to weather, seas, splashing, pressure-directed liquids, or similar moisture conditions.

Visit [usa.siemens.com/desigo-fire-safety](https://usa.siemens.com/desigo-fire-safety) to learn more and find a regional office near you.



## Desigo Fire Safety

Desigo Fire Safety is the complete dedicated portfolio for the UL/ULC Fire and Life Safety market. Desigo Fire Safety is a comprehensive portfolio of cloud-connected fire panels, detection and management stations which meet the needs of small-to-large or simple-to-complex applications.

### Legal Manufacturer

Siemens Industry, Inc.  
2 Gatehall Drive  
Parsippany, NJ 07054  
USA

Telephone: (973) 593-2600

153-SBT-580  
A6V11976493\_en\_a  
Printed in the USA  
© 09.2023, Siemens Industry, Inc.

# SIEMENS