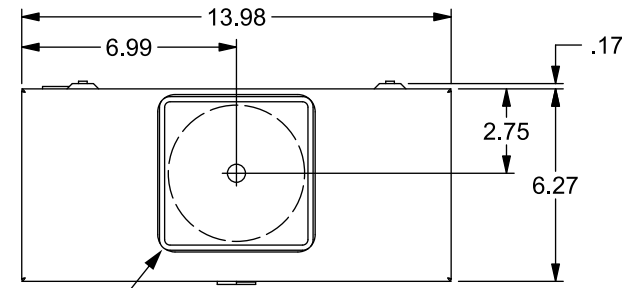


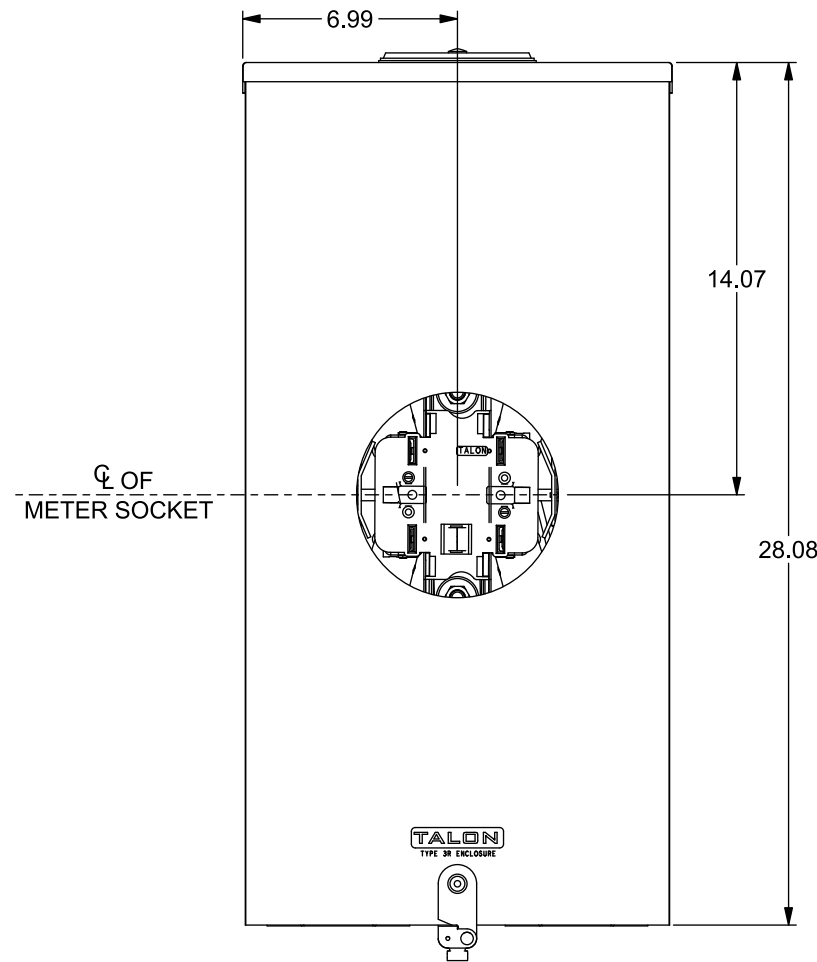
Catalog Number: 47705-02

Features and Ratings

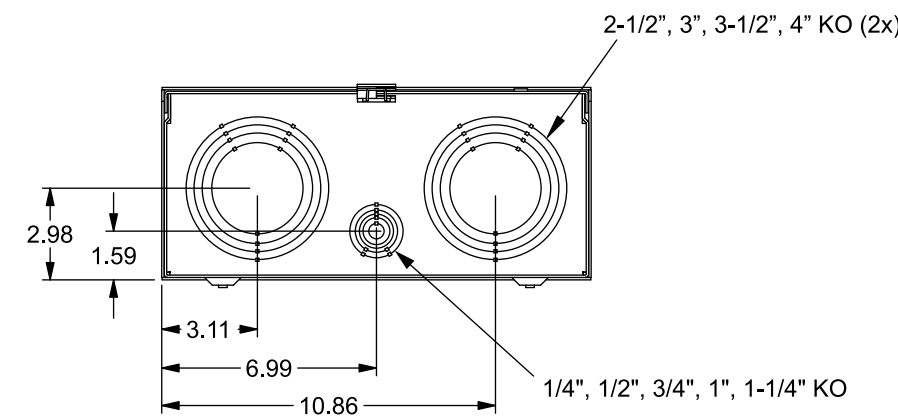
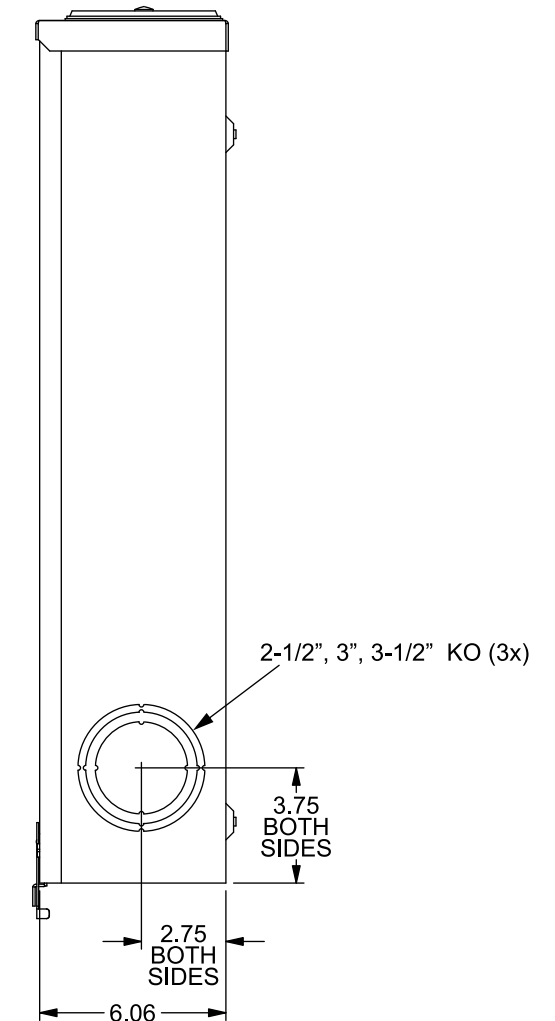
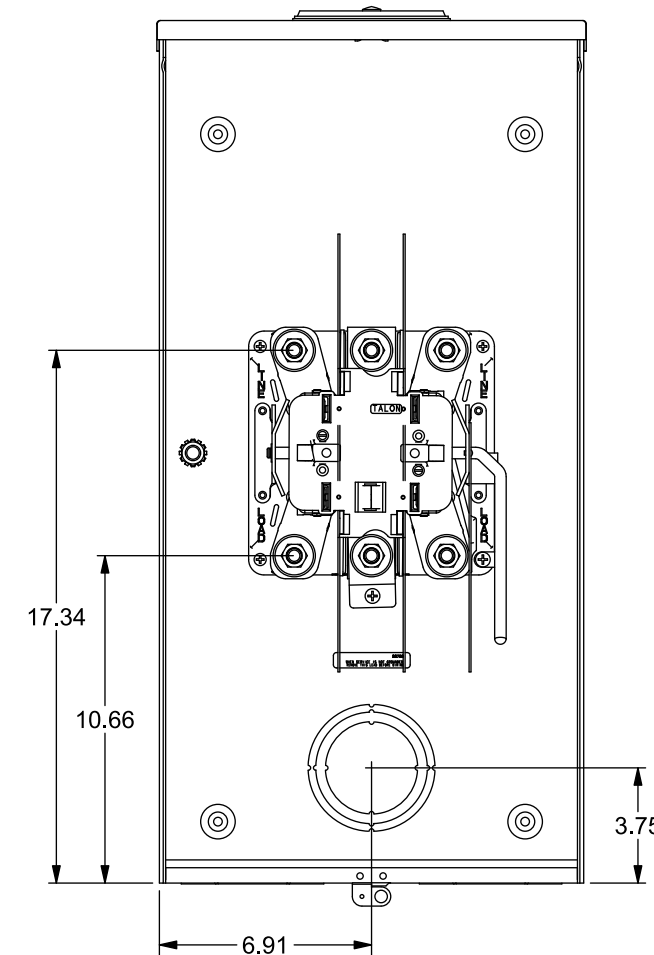
- Ringless Type Meter Socket
- 320A Continuous, 400A Max., 600V AC
- Outdoor Enclosure (Type 3R)
- Painted G90 Steel Enclosure
- 1 Phase, 3 Wire, Commercial Socket
- 5 Jaw Meter Socket, 5th Jaw at 6 o'Clock Position
- Meter Socket Type HQ-5D
- For Overhead & Underground Service
- HD Type Hub Opening, Cover Plate Included
- Lever Bypass



HD TYPE (LARGE) HUB OPENING,
COVER PLATE INCLUDED



VIEW SHOWN WITH COVER REMOVED



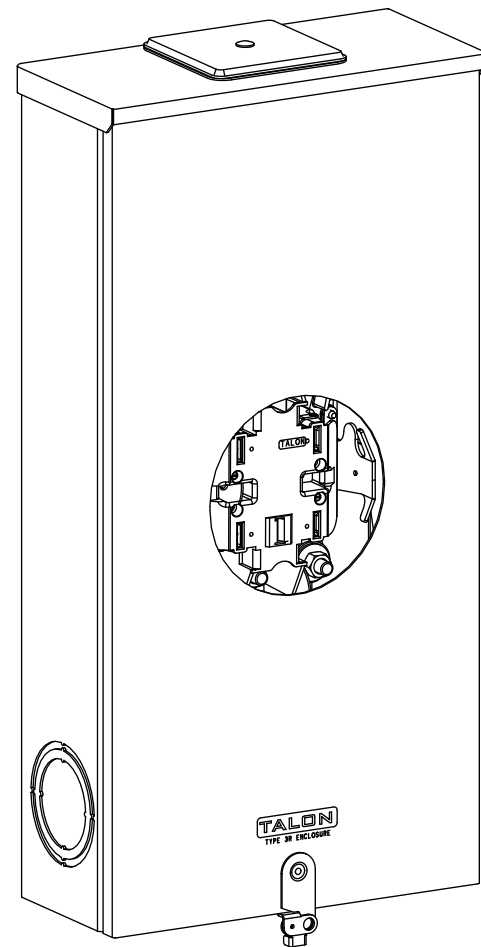
Accessories

CONDUIT HUBS (HD Type)	
TRADE SIZE	CATALOG No.
3 INCH	EC56856 or H56856-2
3-1/2 INCH	EC56857 or H56857-2
4 INCH	EC56858 or H56858-2
Hub Cover Plate	EC56933 or H56933S

Meter Opening Cover Plate
Cat No: H659-0162

Connectors, Wire Sizes and Torques

CONNECTOR	PART No.	WIRE SIZE	TORQUE
LINE/LOAD/ NEUTRAL	61300	(2) 2/0-250 kcmil	500 IN-LBS.
GROUND	67554A	#14 - 2/0 AWG	50 IN-LBS.



© 2019 Copyright Siemens Industry, Inc.

TALON
Meter Socket

Description:
**320A Cont, 5 Jaw, HQ-5D, 600V AC,
Painted Steel Enclosure**

KAM 3/19/19 DO NOT SCALE DRAWING Dwg No: **47705-02**