

REVISIONS			
REV	DESCRIPTION	DATE	APPROVED

0P	INITIAL RELEASE	XX/XX/XX	
1P			
2P			
3P			
4P			
5P			
6P			

Notes:

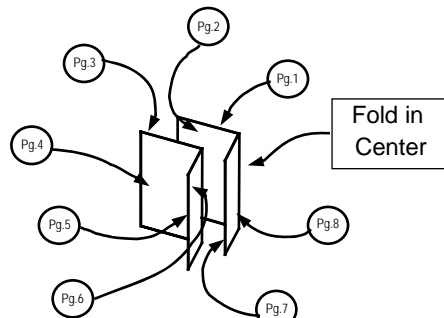
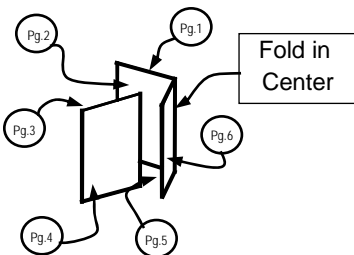
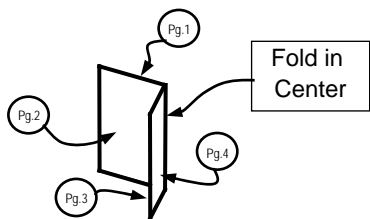
1. (Grayscale) printing on White Bond paper. Paper size as follows:

- 1 page Instruction sheet - printed on - (8 1/2" x 11") - one side
- 2 page Instruction sheet - printed on - (8 1/2" x 11") - both sides
- 3 - 4 page Instruction sheet - printed on - (11" x 17") - both sides, page location as shown below.
- 5 - 6 page Instruction sheet - printed on - (one -8 1/2" x 11" plus one -11" x 17") - both sides, page location as shown below.
- 7 - 8 page Instruction sheet - printed on - (two -11" x 17") - both sides, page location as shown below.

3-4 page Instruction sheets

5-6 page Instruction sheets

7-8 page Instruction sheets

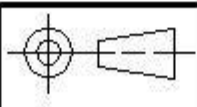



2. All Instruction Sheets are to be individually printed. (DO NOT USE COPY MACHINE)

3. This Power Point file has an Acrobat *.PDF file with the same file name which contains all pages but this cover sheet.

The *.PDF file is the item that gets printed.

4. The finished Instruction sheet should be folded to final dimensions listed below for each Part Number. Page #1 with Siemens Logo must be visible as shown below.

CONFIDENTIAL- PROPERTY OF Siemens Industry, Inc.										
UNLESS OTHERWISE SPECIFIED DIMENSIONS ARE IN INCHES DO NOT SCALE DRAWING TOLERANCES: .XX ± .XXX ± ANGULAR ±				 THIRD ANGLE PROJ.		Siemens Industry, Inc. VBII Quick Connect Accessory 200A INSTRUCTION SHEET				
DWN	RS	DATE	6/21/12	SIZE	FSCM NO.	DWG NO.	411955		REV.	
CHK	RS	DATE	6/21/12						0P	
APVD	NAFTA	DATE	04/01/07	SCALE	1 to 1	ACAD FILE:	SHEET	1 OF	4	

**200A VBII
Quick connect kit**

For use with: | All 200A, VBII Safety Switches | All 200A, VBII Disconnect Switches

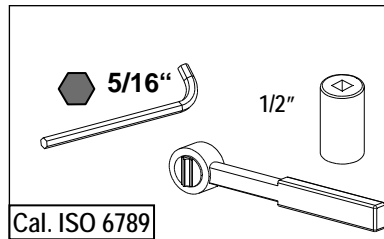
Installation Instructions

 Danger	 Peligro	 Danger
<p>Hazardous Voltage. Will cause death or serious injury.</p> <p> Turn off and lock out all power supplying this device before working on this device. Replace all covers before power supplying this device is turned on.</p>	<p>Tensión peligrosa. Puede causar la muerte o lesiones graves.</p> <p>Desenergice totalmente antes de instalar o darle servicio. Reemplace todas las barreras y cubiertas antes de energizar el interruptor.</p>	<p>Tension dangereuse. Danger de mort ou risque de blessures graves.</p> <p>Couper l'alimentation de l'appareil et barrer avant de travailler. Remplacez tous les couverts avant que l'alimentation de pouvoir soit alimenté.</p>

Use only with Siemens certified components.

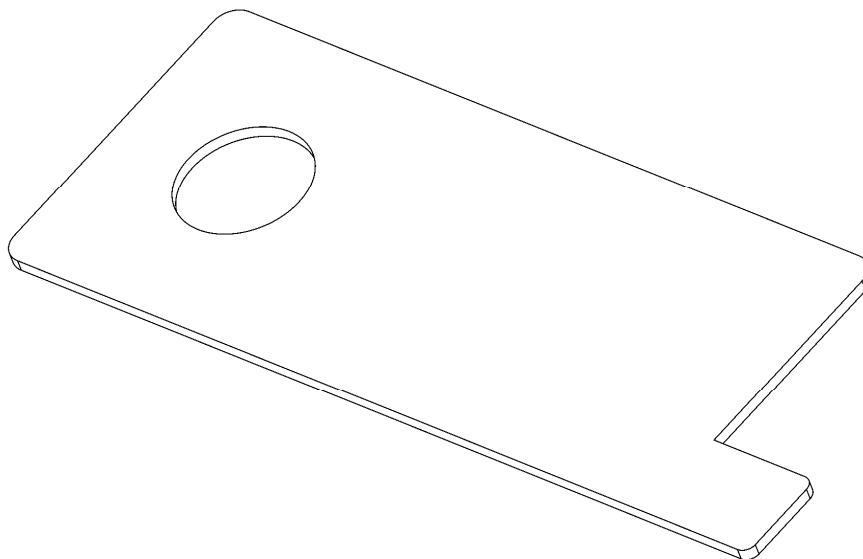
NOTE - These instructions do not purport to cover all details or variations in equipment, or to provide for every possible contingency to be met in connection with installation, operation or maintenance. Should further information be desired or should particular problems arise, which are not covered sufficiently for the purchaser's purposes, the matter should be referred to the local Siemens sales office. The contents of this instruction manual shall not become part of or modify any prior or existing agreement, commitment or relationship. The sales contract contains the entire obligation of Siemens. The warranty contained in the contract between the parties is the sole warranty of Siemens. Any statements contained herein do not create new warranties or modify the existing warranty.

TRADEMARKS - Unless otherwise noted, all names identified by ® are registered trademarks of Siemens AG or Siemens Industry, Inc. The remaining trademarks in this publication may be trademarks whose use by third parties for their own purposes could violate the rights of the owner.



Cat. #: HCQ64

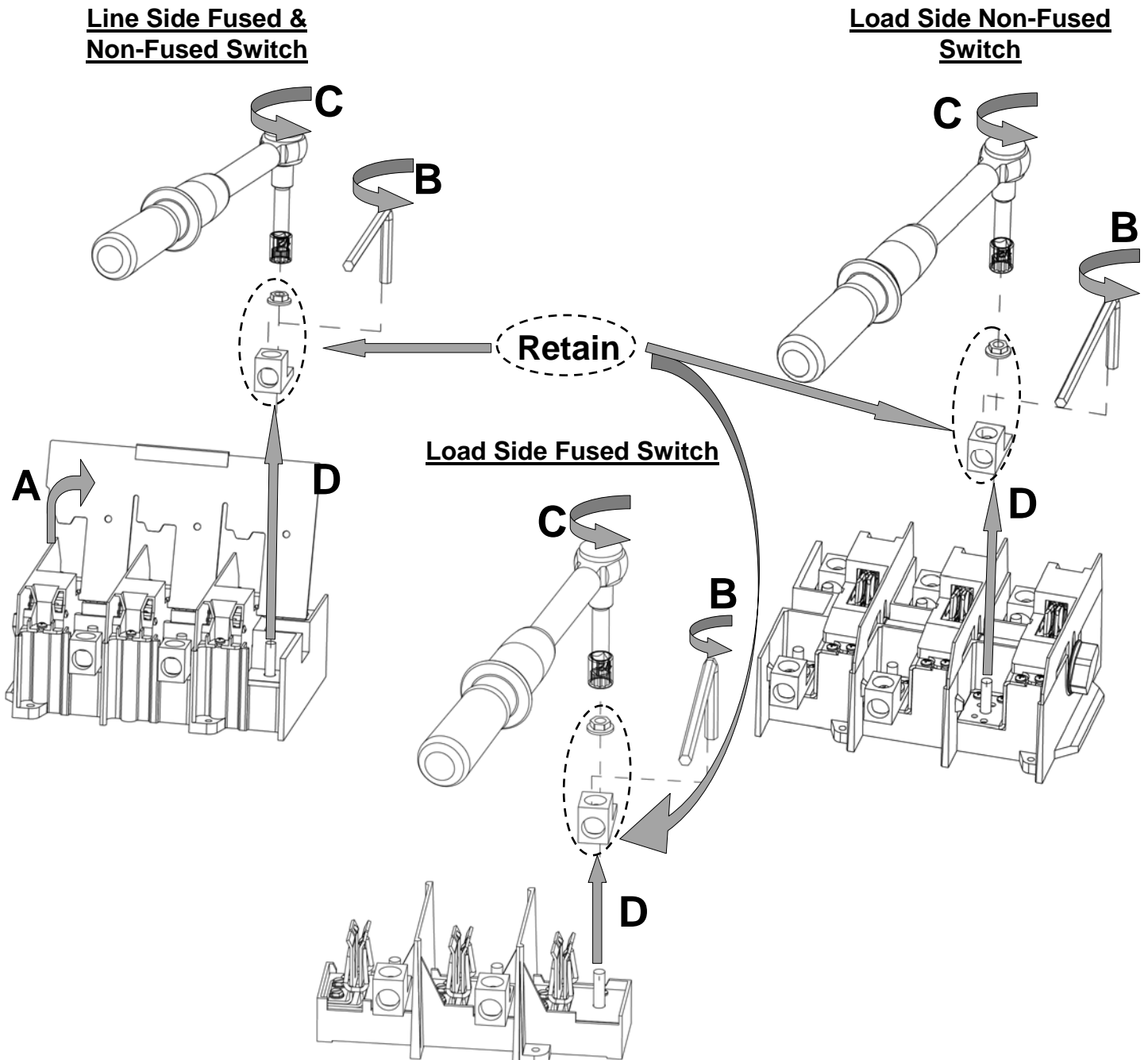
**2.00" L x 0.86" W
1/4" Quick Connect (2)**



	<p>Danger Hazardous Voltage. Will cause death or serious injury.</p>	<p>Peligro Tensión peligrosa. Puede causar la muerte o lesiones graves.</p>	<p>Danger Tension dangereuse. Danger de mort ou risque de blessures graves.</p>
	<p>Turn off and lock out all power supplying this device before working on this device. Replace all covers before power supplying this device is turned on.</p>	<p>Desenergice totalmente antes de instalar o darle servicio. Reemplace todas las barreras y cubiertas antes de energizar el interruptor.</p>	<p>Couper l'alimentation de l'appareil et barrer avant de travailler. Remplacez tous les couverts avant que l'approvisionnement de pouvoir soit alimenté.</p>

1. Prepare switch for accessory installation.

- Turn OFF and lock out all power supplying this device before working on the device.
- Turn OFF the VBII switch
- Rotate line shield (A) to access line lugs (Line side accessory installation ONLY)
- Disconnect the wires from the lugs (B) where the accessories will be mounted
- Remove and retain the hex nuts (C), flat washers, lock washers and lugs (D)

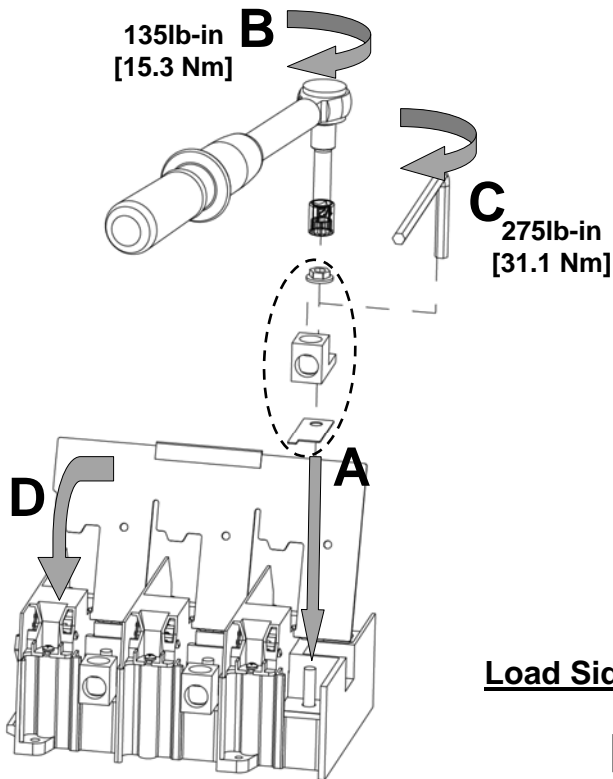


Note: Only one phase installation is shown. Repeat these steps for all other phases where installation is desired.

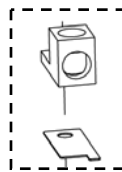
2. Accessory installation and re-assembly.

- Install the Accessory (A), lugs, lock washers, flat washers and hex nuts as shown below.
- Tighten the hex nut (B) to the torque given below unless otherwise specified on the label of the switch.
- Re-install the wire in the lug and tighten to the torque (C) given below unless otherwise specified on the label of the switch.
- Rotate line shield (D) to cover the line lugs and ensure it is locked in place (Line side accessory installation ONLY)

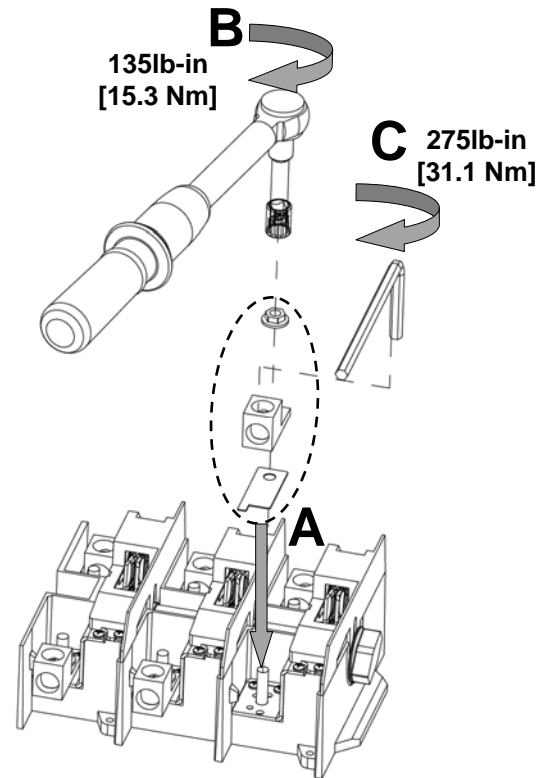
Line Side Fused & Non-Fused Switch



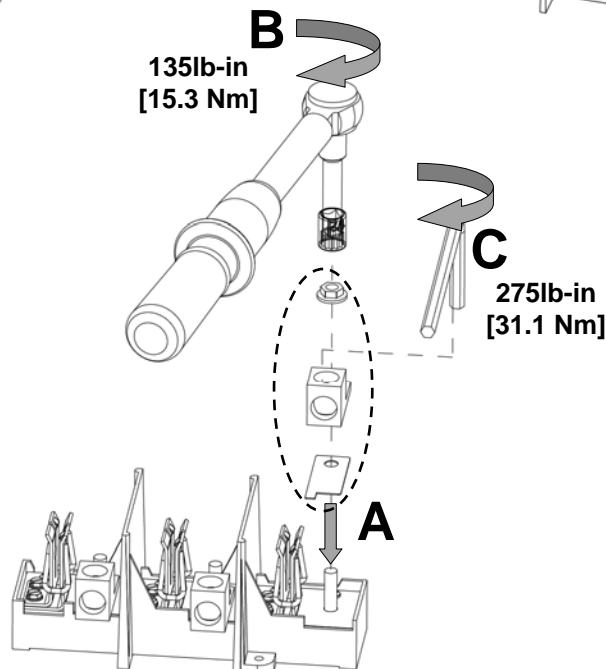
Alternate Installation Orientation



Load Side Non-Fused Switch



Load Side Fused Switch



Note: Only one phase installation is shown. Repeat these steps for all other phases where installation is desired.