

**COMPLIANCE TESTING REPORT FOR
AUSTRALIAN STANDARD AS/CA S008:2010
INCLUDING AMENDMENT NO 1/2014
REQUIREMENTS FOR CUSTOMER CABLING PRODUCTS**

Client:	Siemens Limited
Address:	885 Mountain Highway, Bayswater, Victoria 3153, Australia
Report Number:	0222SIEPCX17_S008
Date of Testing:	19 February to 21 February 2018
File Number:	SIE171220
Product Name:	Elevator Cable
Brand Name	SIEMENS
Product Model No:	PCX17 (100210476)
Product Description:	PVC Flat Travelling Cable - PCX17 8x(2x0.5mm) SH + 1xRG6 Coax Flat
Result:	Complies
Compiled by:	Zhimou Qin Testing Engineer
Approved by:	Nina Rodoreda Lab supervisor
Date of Issue	22 February 2018



Results appearing herein relate only to the sample(s) tested.
This report may not be reproduced in any form unless done so in full.

This report is issued errors and omissions exempt and is subject to withdrawal at Austest Laboratories discretion.

*** Refer to summary page for any conditions.**

SUMMARY OF COMPLIANCE WITH AUSTRALIAN STANDARD AS/CA S008:2010 (Including Amendment No 1/2014)

The Elevator Cable, model number: PCX17 (100210476) was supplied for AS/CA S008:2010 testing by Siemens Limited of 885 Mountain Highway, Bayswater, Victoria 3153, Australia.

The Equipment Under Test (EUT) consisted of a length of Elevator Cable. The cable consisted of eight sets of twisted pair data elements and one coaxial cable. Only four sets of data elements grouped on the same side of the cable were tested. Data elements (pairs one to four) of the elevator cable were tested. Each data element pair was individually shielded with wrapping PET foil and tinned copper braiding with coverage 85%. The conductors were stranded copper consisting of 16 strands of 0.19mm diameter copper. The conductors were insulated with Polyethylene (PE). The conductor insulation was coloured coded for identification. The entire cable assembly was covered with PVC jacketing. Please also refer to the photo in Appendix B and Product Specifications in Appendix C, at the rear of the report.

The EUT had the following sheath markings:

Siemens Australia (100210476)-PCX17-Flat PVC Cable 8x(2x0.5mm) SH+1XRG6 Coax 1152M

The requirements for labelling cable and cable products are specified in the ACMA Telecommunications Cabling (Customer Equipment and Customer Cabling) Notice.

The Elevator Cable, model number: PCX17 (100210476) **COMPLIES** with the tested clauses of AS/CA S008:2010.

SPECIAL CONDITIONS FOR COMPLIANCE:

The cable must comply with Clause 5.6.3 requirements for insulation and sheath materials.

This cable is compliant for indoor use only.

Possible Test Case Verdicts:

- test case does not apply to the test objectN(.A)
- test object does meet the requirementsP(ass)
- test object does not meet the requirementsF(ail)
- testing was not performed.....NT
- noted.....ND

This report is issued within the scope of A2LA accreditation #2765.01.

Accredited for compliance with ISO / IEC 17025.

Approval Specialists Pty Ltd (ACN: 094 656 354) Trading as Austest Laboratories
53 Latitude Blvd, Thomastown Victoria 3074 Australia. Ph: +613 9464 4016



AS/CA S008:2010			
Clause	Requirement - Test	Result - Remark	Verdict
5.	REQUIREMENTS		P
5.1	GENERAL Cabling products shall be physically distinguishable from products used for distribution or connection of AC mains supply.		P
5.2	MARKINGS		P
5.2.1	Labelling Notice		ND
5.2.2	Inappropriate markings Cabling products intended solely for telecommunications use shall not bear markings indicating hazardous services.		P
5.2.3	Additional markings (excluding cable markings)		N
5.2.3.1	International protection (IP) rating		N
5.2.3.2	Multidiscipline telecommunications connecting hardware		N
5.3	UNDERGROUND CONDUIT		N
5.4	CABLE DISTRIBUTION DEVICES		N
5.5	OPTICAL FIBRE DISTRIBUTION DEVICES AND ENCLOSURES Optical fire distribution devices and splice enclosures shall comply with AS/NZS 2211.1		N

This report is issued within the scope of A2LA accreditation #2765.01.

Accredited for compliance with ISO / IEC 17025.

Approval Specialists Pty Ltd (ACN: 094 656 354) Trading as Austest Laboratories
 53 Latitude Blvd, Thomastown Victoria 3074 Australia. Ph: +613 9464 4016



AS/CA S008:2010			
Clause	Requirement - Test	Result - Remark	Verdict
5.6	CABLES		P
5.6.1	General A customer cable shall meet the requirements of Clauses 5.6.2 to 5.6.9 where specified in Clauses 5.6.10 to 5.6.18 of this Standard.		P
5.6.2	Conductor and optical fibre identification Shall use a system of identification such that all conductors, coaxial tubes or optical fibres within the cable are readily distinguishable visually from one another.	The data elements were coloured coded	P
5.6.3	Insulation and sheath material		NT
	(a) shall use insulation and sheath materials suitable for telecommunications purposes;	PE insulation PVC sheath	ND
	(b) Where PVC insulation or sheath materials are used, they shall comply with the requirements of Table 1 or 2, as applicable: and		NT
	Table 1 - PVC Insulation Requirements Tensile strength (unaged): 13 MPa Elongation (unaged): 100% Elongation (Aged): 50% of initial after 100C at 120h Volatile Loss: 20 g/m ² after 80C aging for 120h Volume Resistivity: 400GΩ m at 23C, 0.4GΩ m at 60C		N
	Table 2 - PVC Sheath Requirements Tensile strength (unaged): 12 MPa Elongation (Unaged): 100% Elongation (Aged): 50% of initial after 100C at 120h Volatile Loss: 20 g/m ² after 80C aging for 120h		NT
	(c) Where non-PVC insulation or sheath materials are used, they shall comply with the requirements of AS 1049 for-		NT
	(i) Tensile Strength Test (Aged/Unaged);		NT
	(ii) Elongation Test (Aged/Unaged); and		NT
	(iii) Shrinkback Tests for that particular type of insulation and sheath.		NT
5.6.4	Flammability A cable that is required to comply with this Clause shall pass the combustion propagation test of Method 5.6 including Appendix A and B of AS 1660.5.6.	Refer to table in Appendix A.	P

This report is issued within the scope of A2LA accreditation #2765.01.

Accredited for compliance with ISO / IEC 17025.

Approval Specialists Pty Ltd (ACN: 094 656 354) Trading as Austest Laboratories
53 Latitude Blvd, Thomastown Victoria 3074 Australia. Ph: +613 9464 4016



AS/CA S008:2010			
Clause	Requirement - Test	Result - Remark	Verdict
5.6.5	UV resistance Requirements of AS 1049 for cables exposed to UV radiation.		N
5.6.6	Metallic conductors		P
5.6.6.1	Conductor composition Any metallic conductors, other than copper-clad steel used as an inner conductor in coaxial cable, or copper-clad aluminium with a centre conductor greater than 2mm used as an inner conductor in coaxial cable- (1) shall be either plain or plated copper; (2) may be either a single, solid conductor or multi-stranded; (3) the DC resistance shall be less than the values given in Table 3; and (4) the conductor finish should be plain or tinned	Requirement: 48.48 Ω /km max. Measured: 38.41 Ω /km All pairs measured and average calculated.	P
5.6.6.2	Electrical withstand voltage A multi-conductor cable that is required to comply with this Clause by any of Clauses 5.6.10 to 5.6.18 of this Standard, when tested at a frequency of 50 Hz on at least 1 m length; (a) shall be able to withstand the appropriate AC voltage levels and test method listed in Table 4, without breakdown for a period of 60 s or a period of 2 s as stated; and (b) for Test 2 and 3, all cables/cordages shall comply to the Table 4 limits using the test specified in AS/NZS 3191 Table 2.1, test number 8(a), and using test method referred in Clause 3.5.1 of AS/NZS 1660.3.		P
5.6.6.3	Mutual capacitance (a) The maximum mutual capacitance between the two wires forming a pair measured at any frequency in the range 800 Hz to 1000 Hz shall not exceed the relevant value given in table 5. (b) The measurement, referred to in Clause 5.6.6.3 (a) shall be performed on a minimum cable length of 100m (c) The mutual capacitance shall be corrected to a length of 1000m	Requirement: 120 nF/km max. Measured: 67.55 nF/km	P

This report is issued within the scope of A2LA accreditation #2765.01.

Accredited for compliance with ISO / IEC 17025.

Approval Specialists Pty Ltd (ACN: 094 656 354) Trading as Austest Laboratories
53 Latitude Blvd, Thomastown Victoria 3074 Australia. Ph: +613 9464 4016



AS/CA S008:2010			
Clause	Requirement - Test	Result - Remark	Verdict
5.6.6.4	<p>Capacitance unbalance</p> <p>(a) The maximum capacitance unbalance between pairs measured at any frequency in the range 800 Hz to 1000 Hz shall not exceed the relevant value given in Table 5.</p> <p>(b) During the measurement referred to in Clause 5.6.6.4 (a), all conductors, other than those under test and the metallic shield (where applicable) shall be connected to earth.</p> <p>(c) The measurement shall be performed on a minimum cable length of 100m.</p> <p>(d) The capacitance unbalance between two pairs of wires with one pair designated 'A' and 'B' and the second pair designated 'C' and 'D'.</p> <p>(e) The capacitance unbalance shall be corrected to a length of 500m.</p>	<p>Requirement: 300 pF per 500m max.</p> <p>Measured: 22.06 pF per 500m</p>	P
5.6.6.5	<p>Insulation resistance</p> <p>(a) shall not be less than the relevant value given in Table 5;</p> <p>(b) the measurement shall be made on a minimum length of 100m of cable or cordage at a potential of 500Vd.c. \pm50Vd.c. and the reading taken after the application of the voltage for 60s; and</p> <p>(c) the insulation resistance shall be corrected to a length of 1000m.</p>	<p>Requirement: 1000 MΩ/km min</p> <p>Measured: > 1000 MΩ/km</p>	P
5.6.7	<p>Metallic shield</p> <p>(a) any shield provided in the cable shall be electrically continuous; and</p> <p>(b) Where a foil shield is employed, a drain wire shall be placed in continuous contact with the metallic surface of the shield.</p>		P P N
5.6.8	<p>Water penetration test</p> <p>Water Penetration specified in Clause 25, Method-F5B of IEC 60794-1-2.</p>		N
5.6.9	<p>Integral bearer or strengthener</p>		N
5.6.10	<p>Cable with specific attributes</p> <p>Where a cable is claimed to have specific attributes, such as rodent or termite resistance or armouring strength, evidentiary documentation shall be made available on request to support the claim.</p>		N

This report is issued within the scope of A2LA accreditation #2765.01.



AS/CA S008:2010			
Clause	Requirement - Test	Result - Remark	Verdict
5.6.11	Metallic paired cable		P
5.6.11.1	General requirements Metallic paired cable, other than cordage, a cord or a special application cable, shall comply with the following Clauses: 5.6.2, 5.6.3, 5.6.4, 5.6.5, 5.6.6.1, 5.6.6.2, 5.6.6.3, 5.6.6.4, 5.6.6.5, 5.6.7, 5.6.8 and 5.6.9.		P
5.6.11.2	Construction A cable intended to carry a frequency of 300 Hz or greater shall be shielded or of twisted pair construction.		P
5.6.12	Cordage with metallic conductors		N
5.6.13	Cords with metallic conductors		N
5.6.14	Metallic jumper wire and jumper cable		N
5.6.15	Coaxial cable		N
5.6.16	Optical fibre cable		N
5.6.17	Blown fibre tube systems		N
5.6.18	Special application cables		N
5.7	CONNECTING HARDWARE, INCLUDING PLUGS AND SOCKETS OF ALL DESIGNS		N
5.8	CABLING PRODUCTS FOR UNDERGROUND AND AERIAL INSTALLATIONS		N

**** END OF REPORT BODY ****

Appendix A – Additional Test Data

Appendix B – Photographic Record of Sample

Appendix C – Product Specifications provided by the client

This report is issued within the scope of A2LA accreditation #2765.01.

Accredited for compliance with ISO / IEC 17025.

Approval Specialists Pty Ltd (ACN: 094 656 354) Trading as Austest Laboratories
53 Latitude Blvd, Thomastown Victoria 3074 Australia. Ph: +613 9464 4016



Appendix A – Additional Test Data

5.6.4		TABLE: Flammability Test								P
No	Object	Duration of application of flame (S)	Time object remained alight after removal of flame (S)	Time until ignition of tissue paper (S)	Time until ignition of particle board (S)	Ignition of tissue paper	Particle board scorching	Extent of burning upwards (mm)*	Extent of burning downwards (mm)*	Result
1	PCX17	120 sec	1 sec	NI	NI	NI	NI	215 mm	515 mm	Pass

* Measured from lower edge of upper clamp. Start of burn was 475 mm from upper clamp. Limit for upward burn is > 50 mm and limit for downward burn is <540 mm from upper clamp (AS 1660.5.6).

LEGEND	
P	Pass
F	Does not comply
NA	Not applicable
NI	No ignition

NOTE:

INDIVIDUAL ITEMS OF THIS TEST REPORT SHOULD NOT BE QUOTED IN ISOLATION AS PROOF OF PRODUCT ACCEPTABILITY NOR APPLIED TO DIRECTLY ASSESS PERFORMANCE UNDER CONDITIONS OTHER THAN AS ENVISAGED BY THE REFERENCE SPECIFICATION, E.G. INDIVIDUAL FIRE TESTS TO PROVE AN OVERALL ACCEPTABLE FIRE HAZARD LEVEL.

Appendix B – Photographic Record of Sample



Cable



Sheath marking

This report is issued within the scope of A2LA accreditation #2765.01.

Accredited for compliance with ISO / IEC 17025.
Approval Specialists Pty Ltd (ACN: 094 656 354) Trading as Austest Laboratories
53 Latitude Blvd, Thomastown Victoria 3074 Australia. Ph: +613 9464 4016



Appendix C – Product Specifications provided by the client



SIEMENS

Ingenuity for life

Difficult just got easy

We provide the industry with high-quality elevator cables, backed by decades of experience in the Australian market.

Our cables have been developed to provide optimum performance, maximum safety and extended life for applications requiring power and control.

Features include ease of installation for high levels of efficiency, and options for maintenance, service and modernisation.

For more information visit:
www.siemens.com.au/auto-cables

PCX17 Flat Travelling Cable

- Industry compatible construction and design
- Applications such as CCTV, swipe cards, security, card readers, telephone and display screens
- Capacity to provide application to multiple devices in one single cable
- AUSTEST AS/CA S008:2010 Approvals

www.siemens.com.au/auto-cables

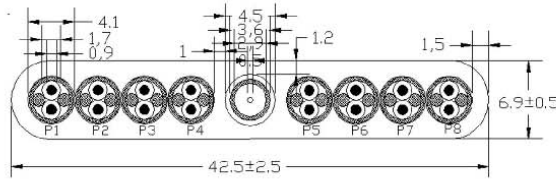
This report is issued within the scope of A2LA accreditation #2765.01.

Accredited for compliance with ISO / IEC 17025.

Approval Specialists Pty Ltd (ACN: 094 656 354) Trading as Austest Laboratories
53 Latitude Blvd, Thomastown Victoria 3074 Australia. Ph: +613 9464 4016



Appendix C – Product Specifications provided by the client

Siemens Part Number	100210476	
Cable	PCX17	
Suspension Device	FCSD-3 100205441	

Flat cable suspension device to suit PCX17

Specification	8x2x0.5+CX75		
Standard reference	EN 50214-2006, GB/T5023.6-2006, IEC /EN60227-6		
Strain bearing member	/		
Data elements	Type	Twisted Pair	
	Quantity	8	
	Conductor	mm ²	0.5
	Conductor resistance	Ω/km	Max .39.0 at 20°C
	Insulation	PE	
	Normal thickness	mm	0.4
	Colour	Pair 1: white-blue, Pair 2: white-orange, Pair 3: white-black, Pair 4: white-brown, Pair5: white-grey, Pair 6: red-blue, Pair 7: red-orange, Pair 8: red-black	
	Shield	PET Foil Wrapping , Tinned copper braiding with coverage 85%	
Coaxial cable	Quantity	1	
	Nominal Impedance	Ω	75
Jacketing	Material	PVC	
	Normal thickness	See drawing	
Completed cable	Approximate weight	kg/km	471
	Nominal diameter	mm	42.5x6.9
	Bending Test	Min 30000 bending cycles according to EN50214	
	Min. Bending radius	mm	Static application 10x cable thickness
	Operating temperature	°C	-20 to +70
	Test voltage	750V for data elements	
	Free suspension length	m	≤45
	Max. travelling height	m	≤80
	Max. travelling speed	m/s	≤4 (Acc. EN50214)
Acceleration	m/s ²	< 1.2	

Melbourne Head Office
Sydney Office
Brisbane Office
Perth Office
Adelaide Office

885 Mountain Highway, Bayswater, VIC 3153, Australia
160 Herring Road, Macquarie Park, NSW 2113, Australia
Citylink Business Centre, 153 Campbell Street, Bowen Hills, QLD 4006, Australia
185 Great Eastern Hwy, Belmont, WA 6104, Australia
27 Greenhill Road, Wayville SA 5034, Australia

National Contact Number
Cables: 131 773 (opt 1)

This report is issued within the scope of A2LA accreditation #2765.01.

Accredited for compliance with ISO / IEC 17025.
Approval Specialists Pty Ltd (ACN: 094 656 354) Trading as Austest Laboratories
53 Latitude Blvd, Thomastown Victoria 3074 Australia. Ph: +613 9464 4016

