



Reyrolle
Protection
Devices

7PG217 – B69

Overcurrent & Earth Fault Type

Answers for energy

SIEMENS

7PG217 – B69

Overcurrent & Earth Fault Type



Description

These relays are a.c. operated attracted armature elements with an 'L' shaped armature pivoted on a knife-edge which directly operates the self reset contacts.

Relays are fitted with a plug-bridge providing a range of plug settings.

Relays are supplied in single pole and three pole arrangements, in modular cases. When supplied as a three pole unit the center element can be provided with a different setting range.

Applications

Instantaneous overcurrent earth fault protection of feeders, or the earth fault protection of transformers.

A typical application is for 2 stage overcurrent protection in association with IDMTL relays. A definite time delay relay can be added to the scheme if required. The relay may be used as a guard relay for Solkor Schemes.

Technical Information

Ratings (50 or 60Hz) 1 or 5A
 Operating time 10ms at 3 times the setting
 Continuous rating 1.3 x setting

Setting Ranges
 10 – 40% Step 5%
 20 – 80% Step 10%
 50 – 200% Step 25%

Burdens 3VA at the setting
 Indication None
 Contact arrangements 2 Make per phase

Contact ratings

Make and carry continuously:

150 VA a.c. or 1500 W d.c. within the limits of 660 V and 3A. Make and carry 8 A for 3 seconds or 16 A for 1 second.

Break:

300 VA a.c. or 75 W d.c. (inductive L/R – 0.04s) within the limits of 250 V and 5 A.

Accuracy:

Operation within 15% of settings.

Case Dimensions

Relays are available in the following cases:

Single Pole – Size E2 Modular

Three Pole - Size E6 Modular

Terminal Ref	Single Pole	Three Pole			Refer to the wiring diagram supplied with the Order Acknowledgement
		1	2	3	
A	27	23	25	27	
B	28	24	26	28	
C	1	9	5	1	
D	3	11	7	3	
E	2	10	6	2	
F	4	12	8	4	

Table 1. Case Terminal Numbers

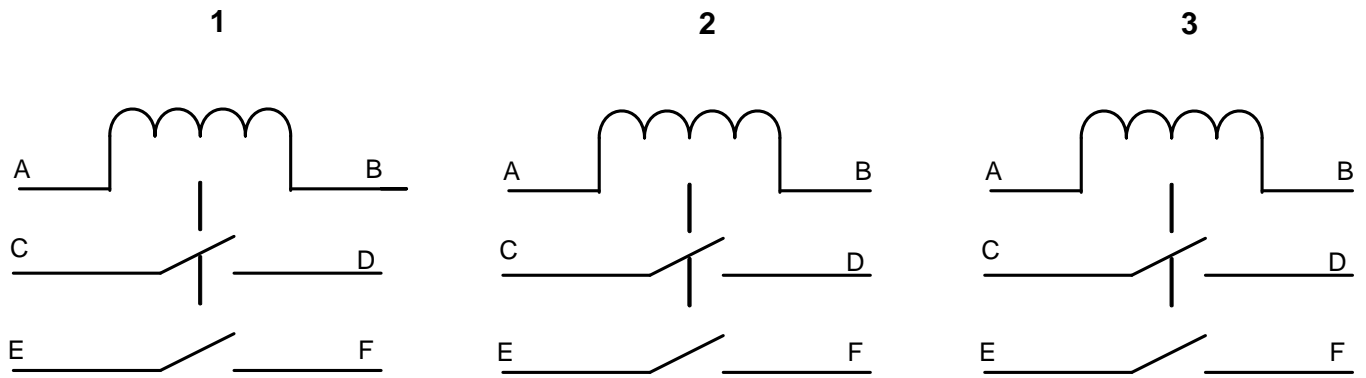


Fig 1. Typical Relay Wiring Diagram
(Arrangement looking on front of relay)

Siemens Protection Devices Limited
P.O. Box 8
North Farm Road
Hebburn
Tyne & Wear
NE31 1TZ
United Kingdom
Phone: +44 (0)191 401 7901
Fax: +44 (0)191 401 5575
Web: www.siemens.com/energy

For more information contact our
Customer Support Centre
Phone: +49 180 524 70 00
Fax: +49 180 524 24 71
Charges depending on provider)
E-mail: support.energy@siemens.com

www.siemens.com/energy