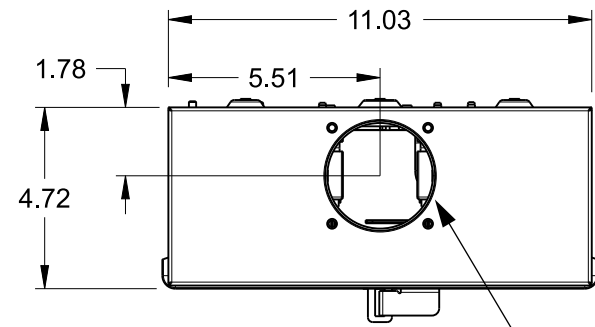


Catalog Number: UAB111-XG

Features and Ratings

- Ringless Meter Cover
- 1 Phase, 3 Wire, 240 VAC
- Painted G90 Steel
- Provision for 125A Max. Field Installed Breaker
- Meter Socket Rating: 100A Continuous
- 4 Jaw Meter Socket, Ringless Type Meter Cover
- 10,000 AIC Max. Rated (See Wiring Diagram for Details)
- For Overhead or Underground Service
- RX Type Hubs on Top End Wall



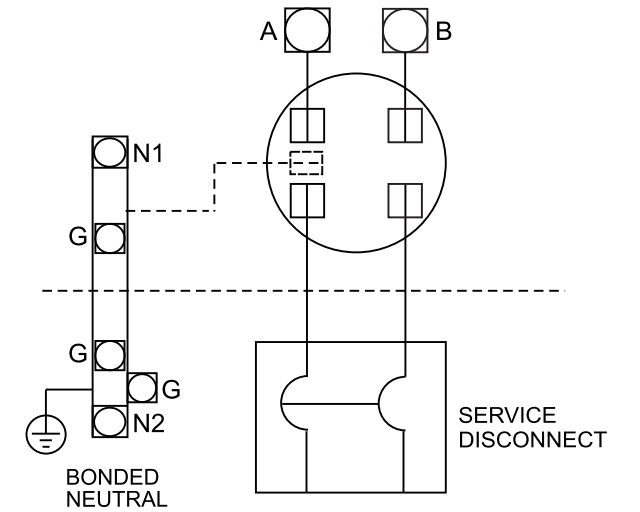
TYPE RX (SMALL) HUB PROVISION
COVERPLATE INSTALLED (NOT SHOWN)

Accessories

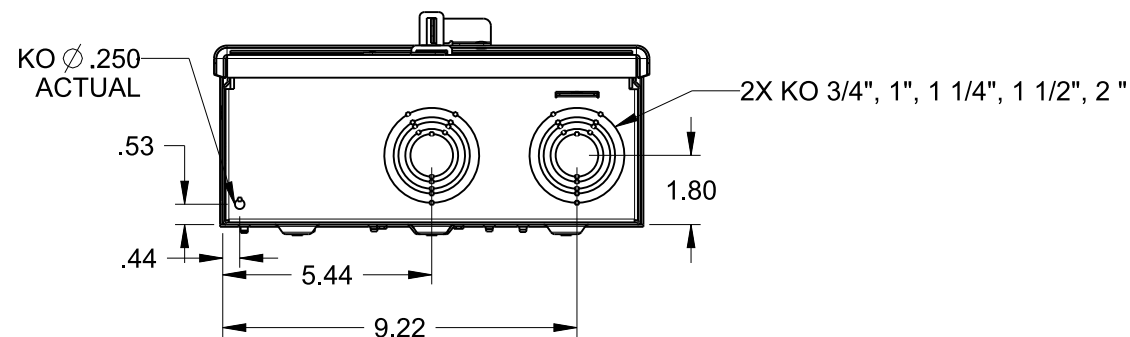
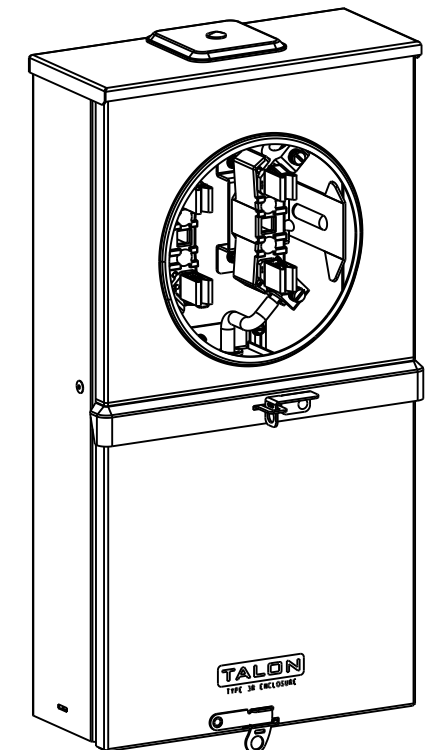
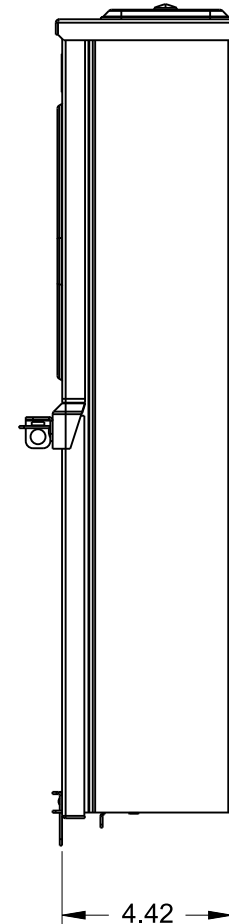
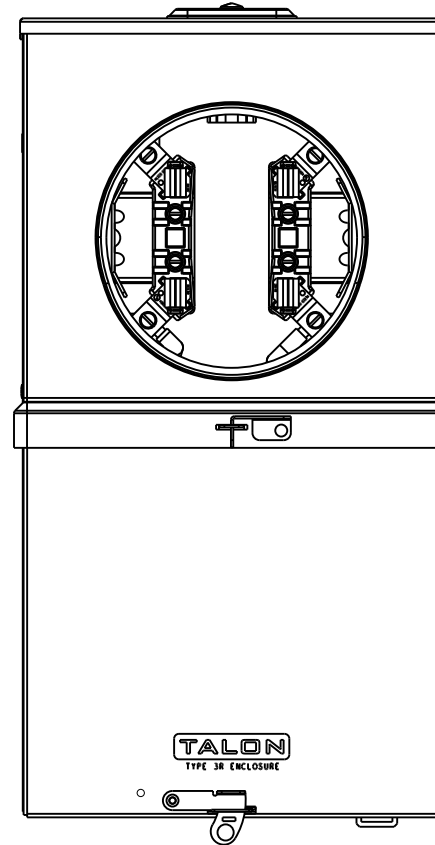
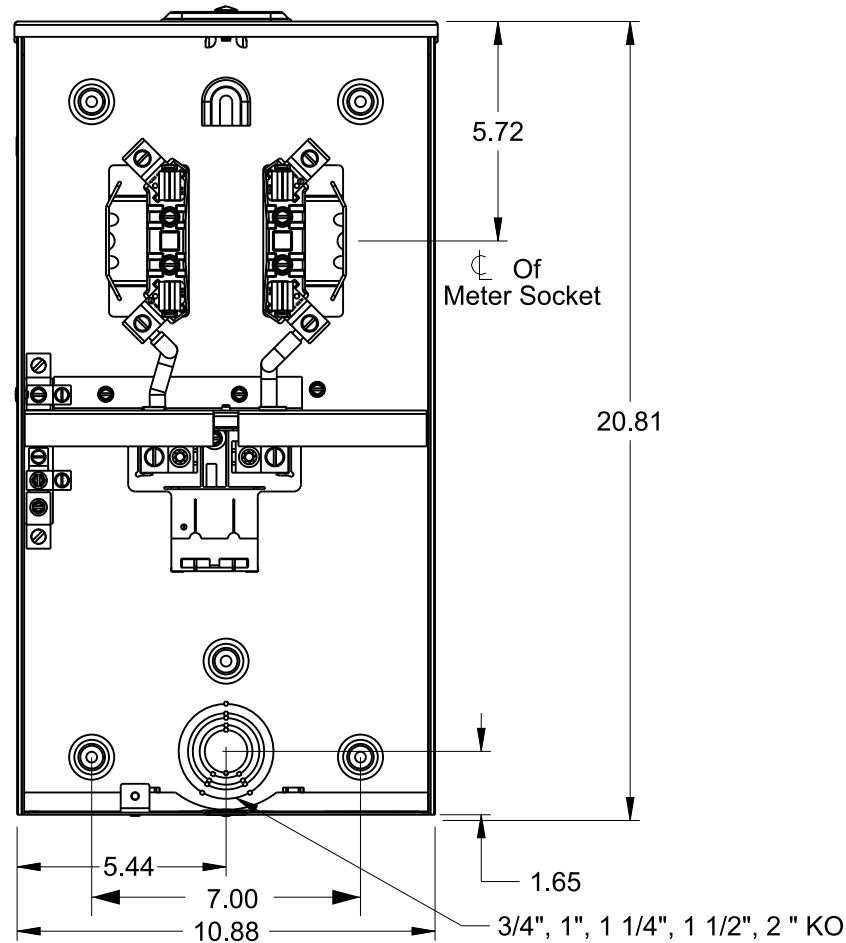
TYPE RX HUBS

Trade size (in)	Catalog number
1 1/4"	EC38597 or H38597-2
1 1/2"	EC38598 or H38598-2
2"	EC38599 or H38599-2
2 1/2"	EC38600 or H38600-2
Closure plate...	EC38595 or H38595-1

Schematic, Torques & Wire Sizes



Terminal	Wire Size	Torque
A, B, N1 & N2	#14-2/0 AWG	50 lb-in
G	#14-2 AWG	50 lb-in



© 2020 Copyright Siemens Industry, Inc.

TALON

Meter/Breaker Combination

Description: **100A, OH/UG, Ringless Painted G90 Steel**

KAM 8/23/19 DO NOT SCALE DRAWING Dwg No: **UAB111-XG**