

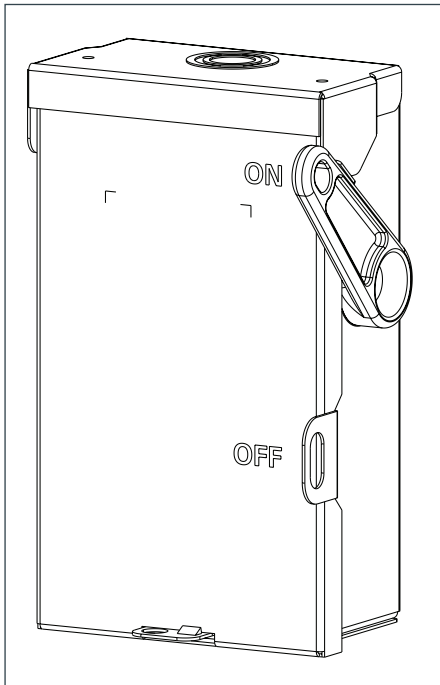
SIEMENS

Data Sheet

VBI General Duty Safety Switch

30A, 240V, Type 1, Fusible

usa.siemens.com/switches



Standards and Ratings

- UL Listed under file #E4776
- Meets UL98 for switches and UL 50 for enclosures
- Meets NEMA Standard KS-1 for enclosed switches
- Meets NEC wire bending space requirements
- Suitable for use as service entrance equipment
- Meets 2020 NEC 230.62 with addition of line side barrier kit (listed as accessory below)

Features

- Rated 10,000 AIC with Class K fuses or H fuses or rated 100,000 AIC with Class R fuses
- Double break visible blade design
- Oversized Lugs

Product Specifications

General Duty 30A, 240V, Type 1, Fusible

General Information

Catalog Number	Description	Shipping Weight (lbs.) (std. package qty.)
GF221NA	General Duty Enclosed Switch	30 (10)
GF221NAU	General Duty Enclosed Switch Retail Version	3 (1)

Horsepower Ratings

250V DC		1 Phase, 240V AC		3 Phase, 240V AC	
Std	Max	Std	Max	Std	Max
5	—	1.5	3	3	7.5

Mechanical Lug Wire Range ²

Description	Wire Range with Wire Bending Space per NEC® requirements	Lug Wire Range
Line and Load Terminals	14 - 8 AWG	14 - 2 AWG
Neutral	14 - 8 AWG	14 - 4 AWG

1 Use closure plate screws provided to mount hubs.

2 See "Wire Torque Information" table for specific wire torque values.

3 Use Cu/Al 60°/75° C Wire.

4 Internal shield which meets 2020 NEC 230.62 line side barrier requirements for service entrance equipment.

Accessories and Hub Kits

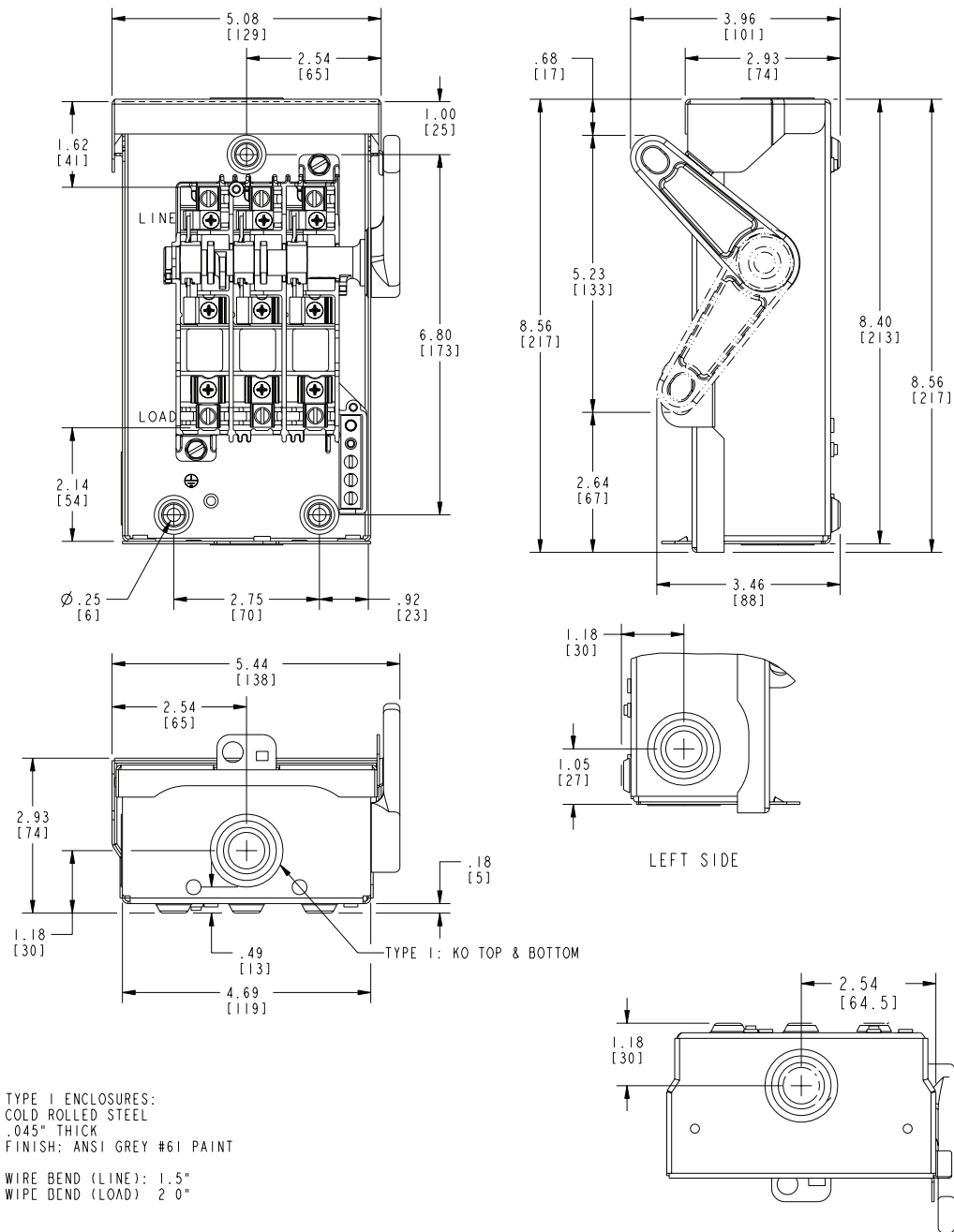
Catalog Number	Description
HG61234 ²	Ground Lug Kit 30-200A
HR21A	R Fuse Kit
HSK21BA	Line Side Barrier Kit ⁴

Wire Torque Information

Application	Wire Size	Nominal Torque
Mechanical Lug - Line / Load Wire Connector ³	14 - 10 AWG	35 lb.-in.
	8 AWG	40 lb.-in.
Mechanical Lug - Neutral Wire Connector ³	14 - 8 AWG	20 lb.-in.
	8 AWG	25 lb.-in.

Dimension Drawings

General Duty 30A, 240V, Type 1, Fusible



Published by
Siemens Industry, Inc. 2021.

Siemens Industry, Inc.
 3617 Parkway Ln
 Peachtree Corners, GA 30092

For more information, please contact
 our Customer Support Center.
 Phone: 1-800-241-4453
 E-mail: info.us@siemens.com

usa.siemens.com/switches

Order No.: SSFL-GF312-0521
 Printed in U.S.A.
 © 2021 Siemens Industry, Inc.

The technical data presented in this document is based on an actual case or on as-designed parameters, and therefore should not be relied upon for any specific application and does not constitute a performance guarantee for any projects. Actual results are dependent on variable conditions. Accordingly, Siemens does not make representations, warranties, or assurances as to the accuracy, currency or completeness of the content contained herein. If requested, we will provide specific technical data or specifications with respect to any customer's particular applications. Our company is constantly involved in engineering and development. For that reason, we reserve the right to modify, at any time, the technology and product specifications contained herein.