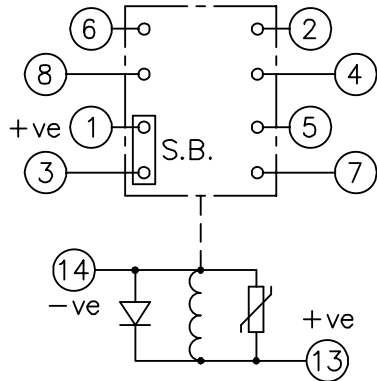


LOOKING ON FRONT OF RELAY

2112W50209



**NOT SUBJECT TO UPDATE  
ONCE COPIED / PRINTED  
OR DOWNLOADED**

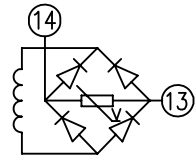
PRINTED ON 17/01/2012  
ENSURE CORRECT REVISION  
DESTROY AFTER USE

**KEY**

- make contact
- break contact
- c/o contact
- ext. conn
- plug bridge - shorting
- metering point
- 5Kv barrier
- test socket - shorting
- plug & socket

CONTACT CONFIG.	OUTPUT CONTACT PAIR / TERMINAL No.	1-3	2-4	5-7	6-8	9-11	10-12
3M 1SB			M	M	M		
2M 1B1SB			B	M	M		
1M 2B1SB			B	M	B		
3B1SB			B	B	B		

NOTE: WHEN RECTIFIER IS SPECIFIED  
COIL CONNS. ARE AS SHOWN.



FRAME REFERENCE: E2FAQM.  
FRAME TERMINAL BLOCK ASSY: -  
ASSEMBLY INSTRUCTIONS: -  
TYPICAL ASSEMBLY DRAWING 2995G10032.  
AT INDICATED POSITIONS FIT AS FOLLOWS:  
T - FIT TRIP ISOLATION CONTACT 2995B10053  
S - FIT STANDARD CONTACT 2995B10054  
SECURE CONTACTS USING FIXING SCREW 2109F99009.  
POSITIONS SHOWN BLANK ARE UNUSED

2	T	T	1
4	T	T	3
6	T	T	5
8	T	T	7
10			9
12			11
14	S	S	13
16			15
18			17
20			19
22			21
24			23
26			25
28			27

VIEW FROM NUMBERED  
SIDE OF BLOCK

OUTER TERMINAL BLOCK ASSY: -  
ASSEMBLY INSTRUCTIONS: -  
TYPICAL ASSEMBLY DRAWING 2995G10029.  
AT INDICATED POSITIONS FIT AS FOLLOWS:  
S - FIT STANDARD CONTACT 2995B10051  
HC - FIT 'HEAVY CURRENT' KIT 2995G10030  
WHERE IS SHOWN FIT CT SHORTING  
KIT 2995G10031  
POSITIONS SHOWN BLANK ARE UNUSED.  
ALL POSITIONS FIT SCREW 2106F12506.

2	S	S	1
4	S	S	3
6	S	S	5
8	S	S	7
10			9
12			11
14	S	S	13
16			15
18			17
20			19
22			21
24			23
26			25
28			27

VIEW FROM INSIDE  
FACE

-	-	-	Title: TB. & WD. FOR AR112SBD (7PG111-2) 4 CONTACTS (3STD+1SB) IN E2 CASE	First used on:
				Similar Articles: 2112W50136 (6 CONTACT)
-	-	-	Original Scale:	Supersedes:
				Drq.No. <b>2112W50209</b>
ISSUE	DATE	MOD.No.	<b>SIEMENS PROTECTION DEVICES LTD.</b>	
DRAWN: RDW	CHECKED: R.D.WATSON	APPROVED: R.D.WATSON	DATE: 17/01/12	IE: OPS: