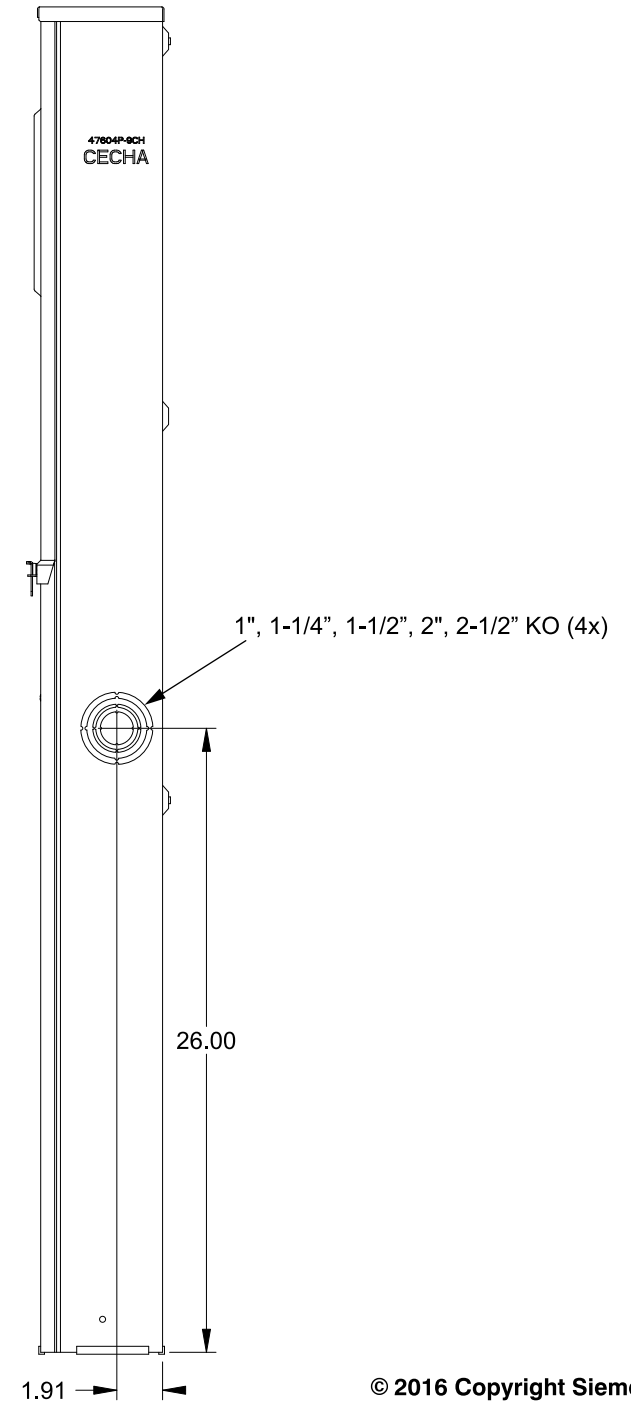
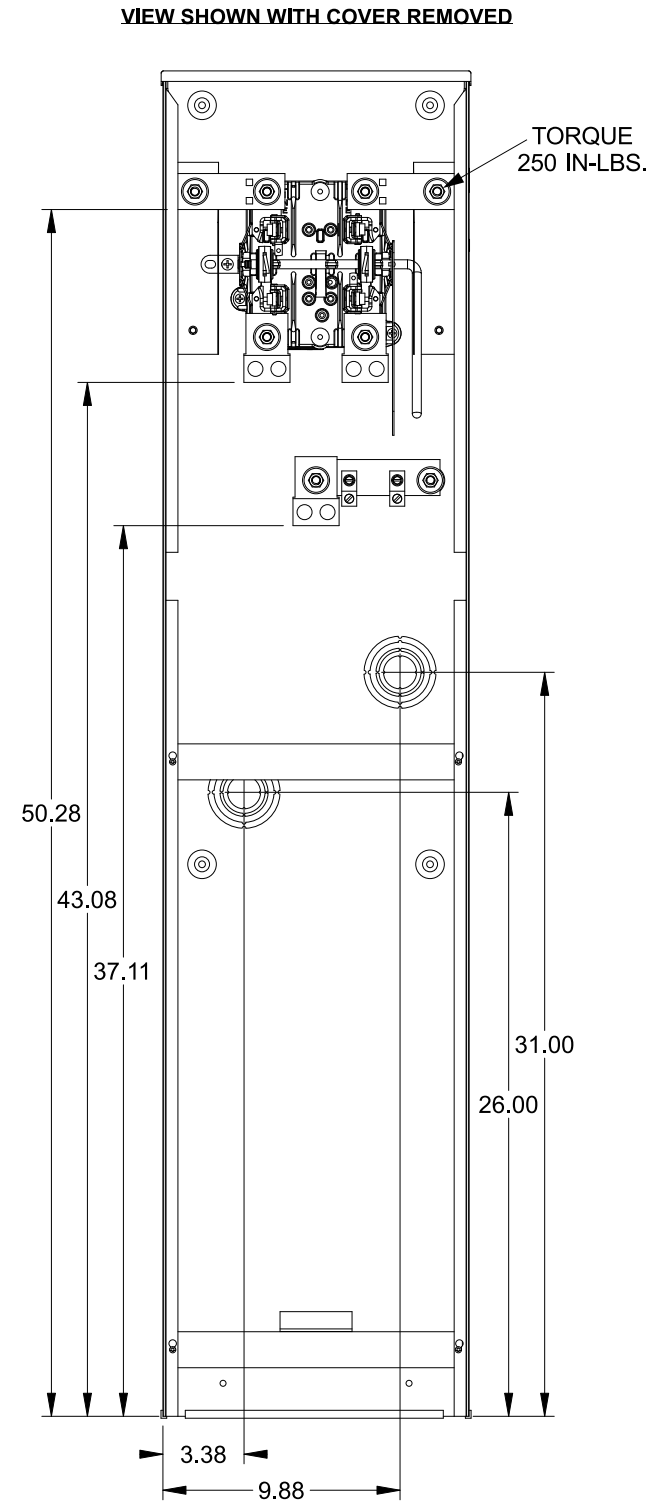
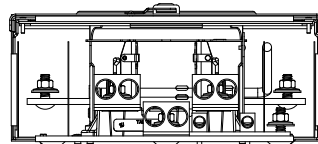
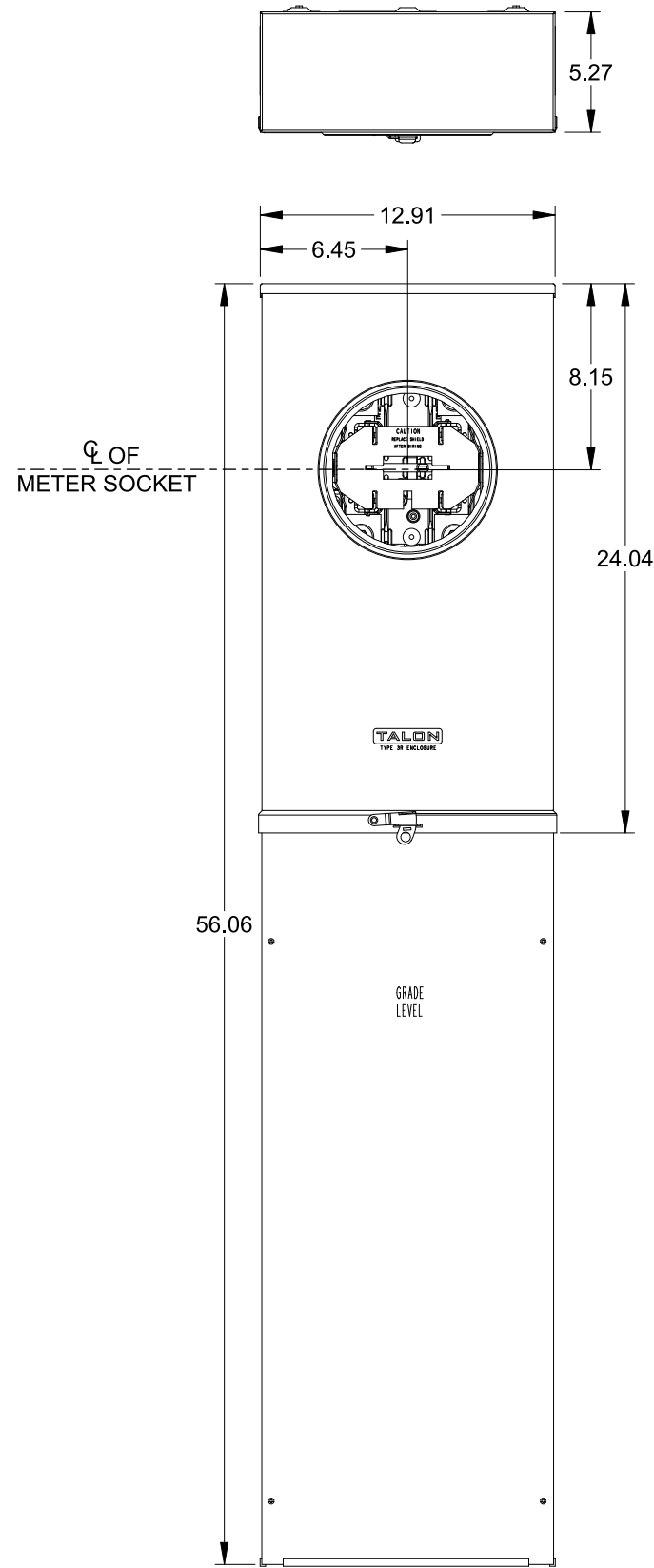
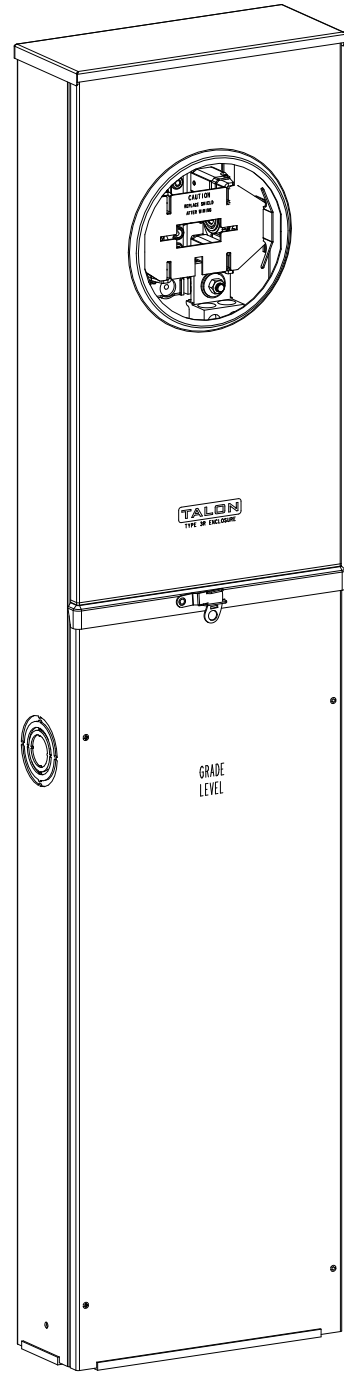


Catalog Number: 47604P-9CH

Features and Ratings

- Ringless Type Meter Socket
- 320A Continuous, 400A Max., 600V AC
- Outdoor Enclosure (NEMA Type 3R)
- Painted G90 Steel Enclosure
- 1 Phase, 3-Wire
- 4 Jaw Meter Socket
- Meter Socket Type HQ-4S
- For Underground Service Only
- No Hub Opening
- Lever Bypass



Connectors, Wire Sizes and Torques

CONNECTOR	PART No.	WIRE SIZE	HEX DRIVE	TORQUE
LINE,LOAD,NEUT	56732-2	(2) #4 - 350 kcmil	5/16"	275 IN-LBS.
LINE, NEUT	60162	#4 - 600 kcmil	3/8"	500 IN-LBS.
GROUND	67554A	#14 - 2/0 AWG	..	50 IN-LBS.

© 2016 Copyright Siemens Industry, Inc.

TALON

Meter Socket

Description: **320A Cont, 4 Jaw, HQ-4S, 600V AC, Painted Steel Enclosure**

JEL 3/18/16 DO NOT SCALE DRAWING Dwg No: **47604P-9CH**