

Electromechanical Power Products



CXP-3 Series
Track Circuit Uninterruptible
Power Supplies

E1 - E2



ST-200-1 Series
Track Transformers

E3 - E4



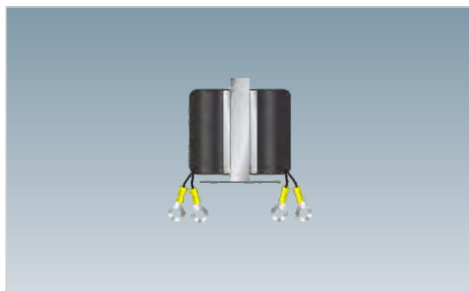
ST-400 Series
Signal / Track Transformers

E5 - E6



SLT Series
Fixed Voltage Lighting Transformers

E7 - E8



LT Series
Lighting Transformers

E9 - E10



SJ Series
Battery Chargers

E11 - E12

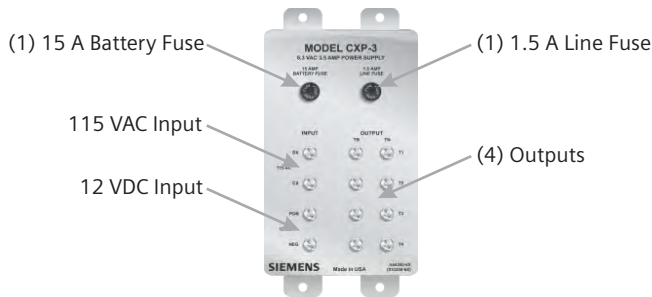




CXP-3 Series

Track Circuit
Uninterruptible Power Supply

Overview



Model A44350
shown for reference purposes only!
Actual unit selected may vary in mounting and features.

SIEMENS Track Circuit Uninterruptible Power Supply (CXP-3) offers a track feed transformer, a power transfer relay and a standby inverter all in a single compact housing.

When used as part of a Type C track circuit, the CXP-3 acts as a track feed transformer and is operated utilizing 115 VAC input power. When unforeseen AC power interruptions occur, the CXP-3 converts standby battery power to output voltage matching the same RMS value as the output would see under normal operating conditions.

The standby inverter is activated through the internal power transfer relay, which is triggered AC power is lost and operates at high efficiency (88% at half power) to maximize run time on battery life.

The operating frequency is maintained to within 1 Hz of nominal power consumption under any normal voltage, load or temperature condition.

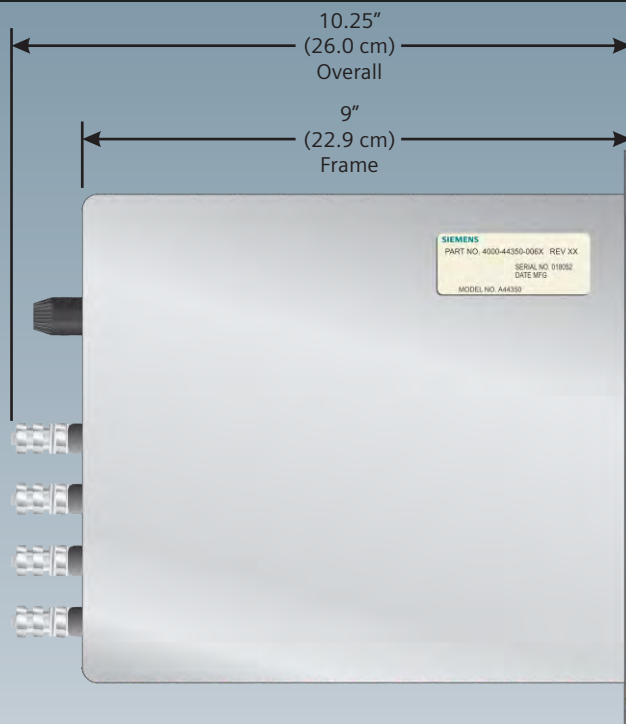
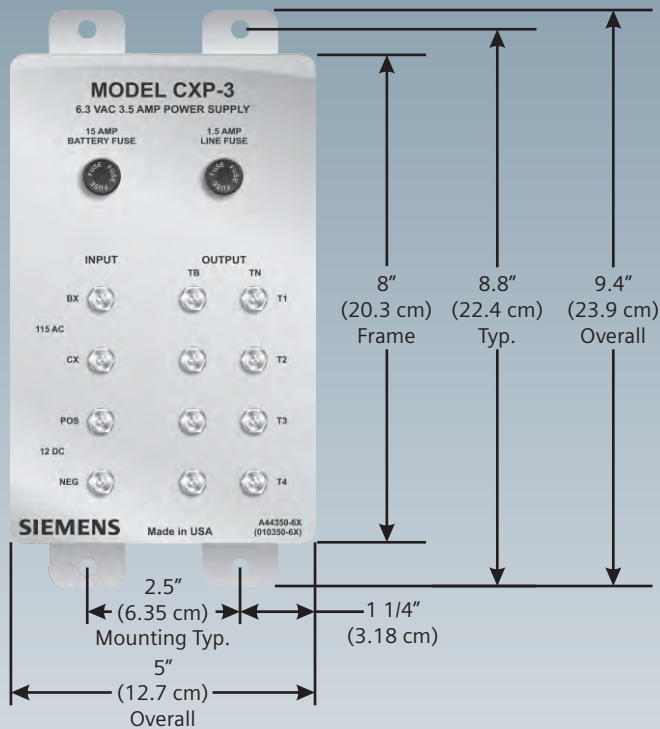
Surge protection for solid state circuitry consists of (7) separate stages, including metal oxide varistors (MOV's), transorbs, zeners, inductors and capacitors. All electronic components are isolated from chassis and outputs are isolated from the operating battery.

NYK:400044350006X



- Meets or exceeds applicable AREMA® specifications on recommended practices regarding 3000 VAC breakdown voltage.
- Easily mountable on standard relay racks, instrument house backboards or can even be shelf mounted when removing included mounting bracket
- Weight is approx. 15 lbs. (6.80 kgs.) including connectors
- Operates in -40° F to +160° F (-40°C to +70°C) @ up to 95% Non-Condensing Relative Humidity
- 6.3 VAC 3.5 Amp power supply
- (1) 15 Amp battery fuse
- (1) 1.5 Amp line fuse
- (4) Output battery connections
- 115 VAC Input connection
- 12 VDC Input connection

Narrow Chassis Assembly Configuration Dimensions

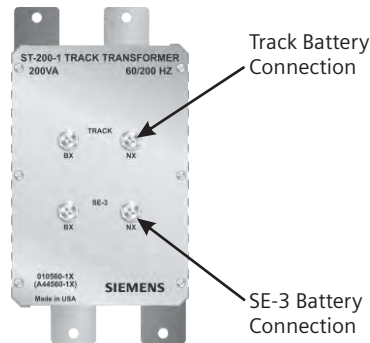




ST-200-1 Series

Track Transformers

Overview



Model A44562 ST-200-1 Series Track Transformer shown for reference purposes only! Actual unit selected may vary in mounting and features.

SIEMENS ST-200-1 Track Transformer is a 200 VA, 60 Hz to 250 Hz transformer, developed for use with Siemens SE-3 Track Circuits. It may also be used as a general purpose step up, or step down transformer for many applications. It has a two terminal track winding which will accept or deliver up to 12 volts (16 amps). The two terminal receiver winding is isolated from the former, and will accept or deliver up to 120 volts (1.6 amps).

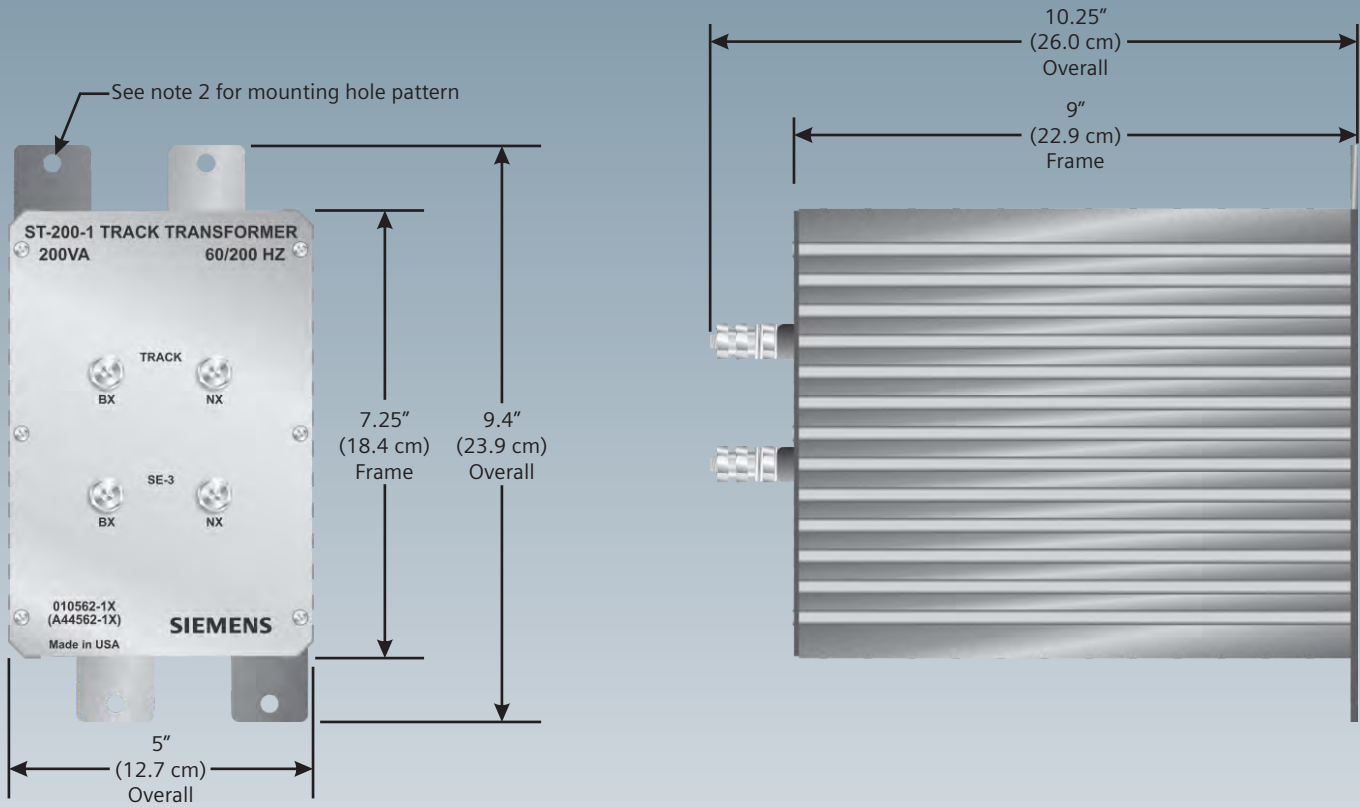
The ST-200-1 is mounted in an aluminum extruded housing, which provides excellent heat transfer from the windings, and also allows flexibility in mounting. Tab brackets located in slots in the extrusion, allow mounting directly to a relay rack, where the transformer mounts in the same space as an ST-2 relay frame footprint. Tab brackets can be easily relocated for backboard or shelf mounting as well. Terminals are the standard AREMA® post type, rather than the commercial spade type.

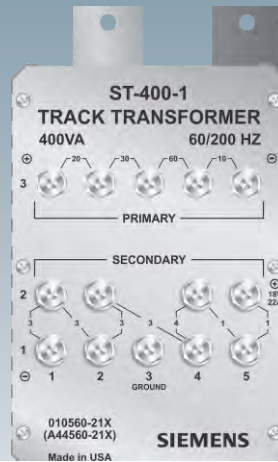
NYK:400044560001X



- Meets or exceeds applicable AREMA® specifications on recommended practices regarding 3000 VAC breakdown voltage.
- Easily mountable on standard relay racks, instrument house backboards or can even be shelf mounted when removing included mounting bracket
- Weight is approx. 15 lbs. (6.80 kgs.) including connectors
- Operates in -40° F to +160° F (-40°C to +70°C) @ up to 95% Non-Condensing Relative Humidity
- 6.3 VAC 3.5 Amp power supply
- (1) 15 Amp battery fuse
- (1) 1.5 Amp line fuse
- (4) Output battery connections
- 115 VAC Input connection
- 12 VDC Input connection

Applicable for all ST-200 Series Track Transformers

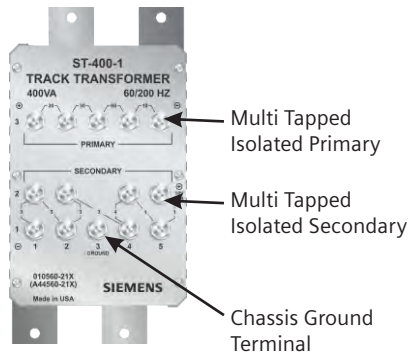




ST-400 Series

Signal / Track Transformers

Overview



Model A44560
shown for reference purposes only!
Actual unit selected may vary in mounting and features.

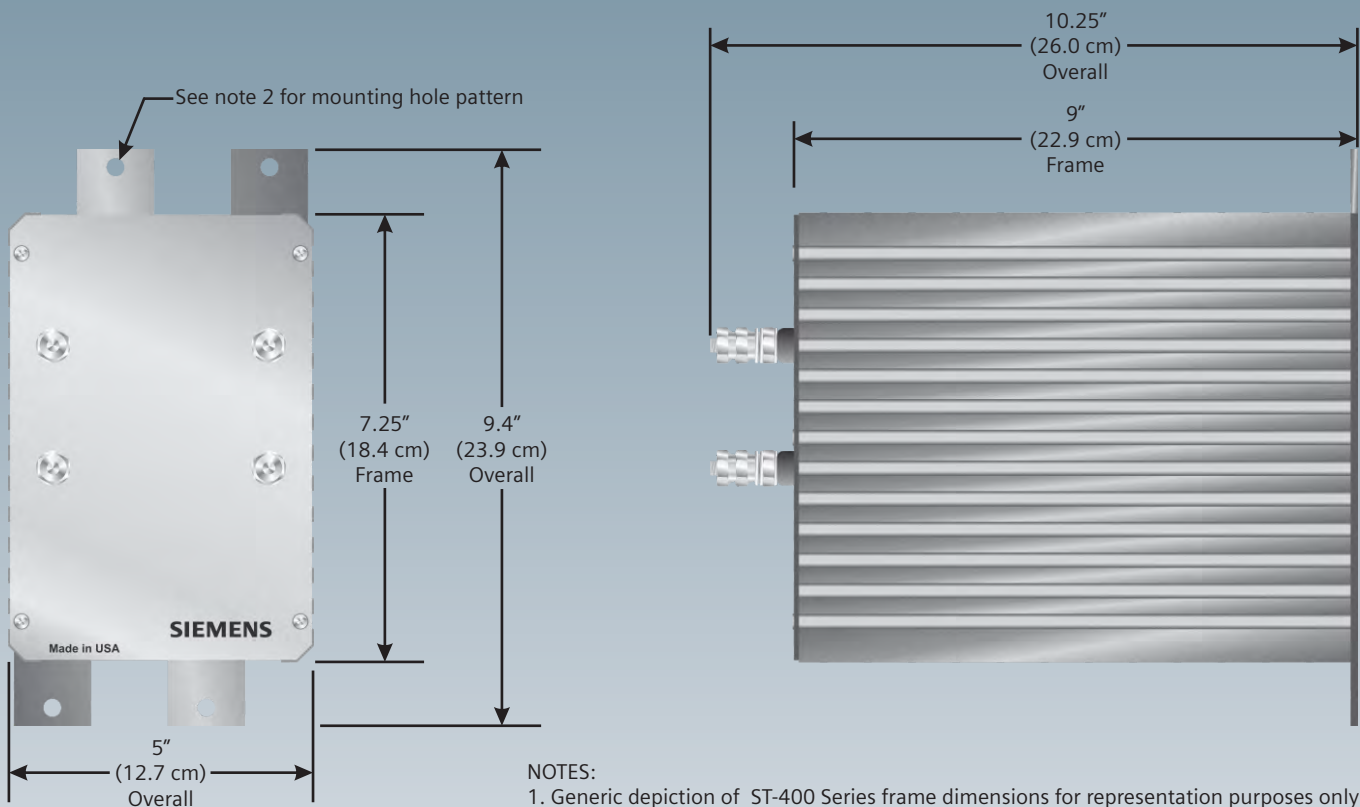
SIEMENS ST-400 Signal / Track Transformer is a 400 VA, 60 Hz to 200 Hz transformer, developed for use with **SIEMENS SE-3** Track Circuits.

It may also be used as a general purpose step up, or step down transformer for many applications. It has a two terminal track winding which will accept or deliver up to 12 volts (16 amps). The two terminal receiver winding is isolated from the former, and will accept or deliver up to 120 volts (1.6 amps).

The ST-400 is mounted in an aluminum extruded housing, which provides excellent heat transfer from the windings, and also allows flexibility in mounting. Tab brackets located in slots in the extrusion, allow mounting directly to a relay rack, where the transformer mounts in the same space as an ST-2 relay frame footprint. Tab brackets can be easily relocated for backboard or shelf mounting as well. Terminals are the standard AREMA® post type, rather than the commercial spade type.

SIEMENS Part Number	Output Voltage	Primary Tap / Voltage Amperage	Secondary Tap / Voltage Amperage	Hertz	Weight
NYK:010560-X	396 VA Max.	120 VAC / 1.65 A	18 VAC, 11.0 A	50 / 200	27.0 lbs (12.25 kgs.)
NYK:010560-X-1	396 VA Max.	120 VAC / 1.65 A	18 VAC, 11.0 A	50 / 200	20.0 lbs (9.07 kgs.)
NYK:010560-X-2	400 VA Max.	120 VAC / 3.30 A	18 VAC, 22.0 A	60 / 200	27.0 lbs (12.25 kgs.)

Applicable for all ST-400 Series Signal / Track Transformers



NOTES:

1. Generic depiction of ST-400 Series frame dimensions for representation purposes only!
2. Staggered mounting bracket hole patter is 3" (7.6 cm) on center and matches relay bar mounting hole configuration for ST series relay center to center dimensions.



SLT
Series

Fixed Signal Lighting Transformers

Overview



Model A44520 SLT Series Fixed Signal Lighting Transformer shown for reference purposes only! Actual unit selected may vary in mounting and features.

SIEMENS Fixed Lighting Transformers (SLT Series) are available in two models of 20 and 50 amperes.

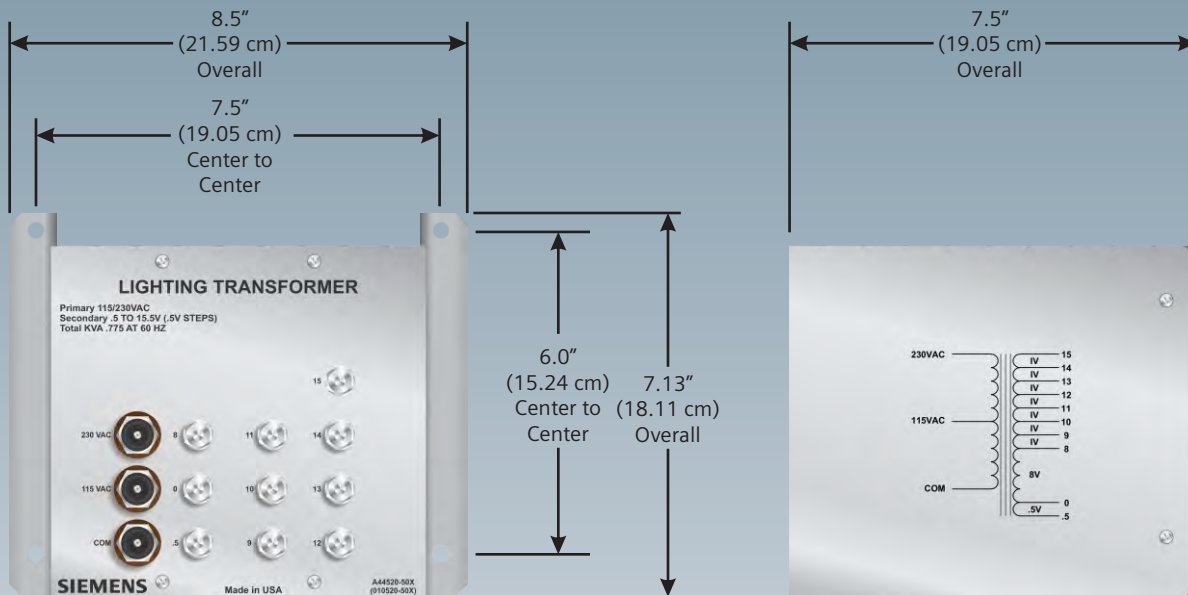
Secondary voltage taps are provided for 1 to 15.5 VAC. Excellent voltage regulation is assured through use of heavy cores and windings. These transformers may be shelf, backboard, or relay rack mounted.

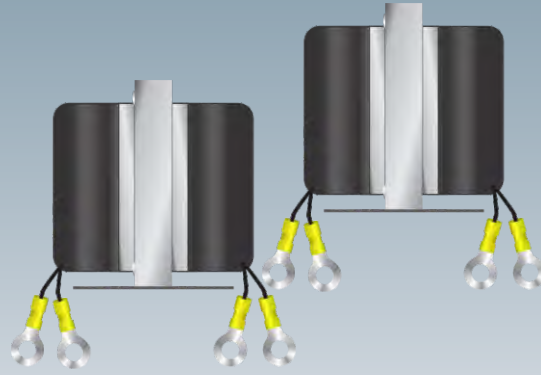
Terminals are the standard AREMA® post type, rather than the commercial spade type.

SIEMENS Part Number	Primary Voltage	Secondary Voltage	Output Amperage	Weight
NYK:400044520020X	115 / 230 VAC	1 - 15.5 VAC	20 A	15.0 lbs (6.80 kgs.)
NYK:400044520050X	115 / 230 VAC	1 - 15.5 VAC	50 A	27.0 lbs (12.25 kgs.)

Electromechanical Systems
Electromechanical Power Products

Applicable for all SLT Series Fixed Signal Lighting Transformers





LT
Series

Lighting Transformers

Overview



*Model A44599 LT Series Lighting Transformer
shown for reference purposes only!
Actual unit selected may vary in mounting and features.*

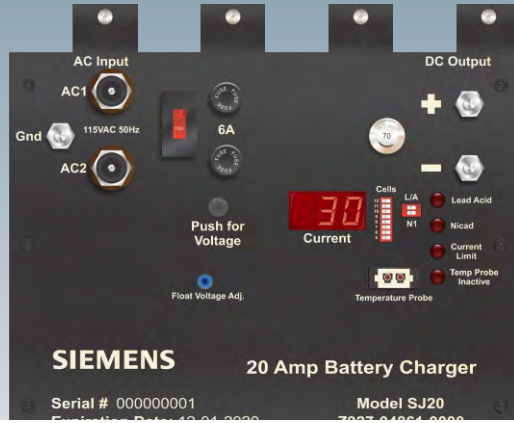
SIEMENS Lighting Transformers (LT Series) are available in two models of 20 and 50 amperes.

Secondary voltage taps are provided for 1 to 15.5 VAC. Excellent voltage regulation is assured through use of heavy cores and windings. These transformers may be shelf, backboard, or relay rack mounted.

Terminals are the standard AREMA® post type, rather than the commercial spade type.

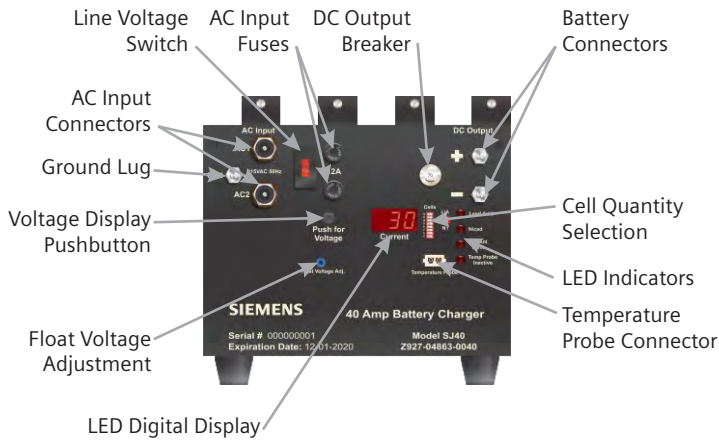
SIEMENS Part Number	Primary Voltage	Secondary Voltage	Output Amperage	Weight
NYK:400044599101X	115 VAC	10.0 - 13.5 VAC	5 A	4.0 lbs. (1.81 kgs.)
NYK:400044599103X	230 VAC	10.0 - 13.0 VAC	5 A	4.0 lbs. (1.81 kgs.)
NYK:400044599106X	115 VAC	0.2 - 13.5 VAC	5 A	4.0 lbs. (1.81 kgs.)
NYK:400044599110X	115 VAC	4.0 - 24.0 VAC	50 VA	4.0 lbs. (1.81 kgs.)

Electromechanical Systems
Electromechanical Power Products



SJ
Series
Battery Chargers

Overview



Features

- (2) Battery selection modes
Lead Acid or Nickle Cadmium (NiCad)
- (2) Operation modes
Constant Current or Constant Voltage
- Float voltage can be adjusted with the battery connected.
(When in Constant Voltage mode)
- Pushbutton to display voltage on demand
- LED indicators and digital display
- Supplied with transient suppression devices across the input and output terminals

*Model A04863 SJ Series Battery Charger shown for reference purposes only!
Actual unit selected may vary in mounting and features.*

SIEMENS Battery Charger (SJ) Series offers long term, reliable charge maintenance of lead acid and nickle cadmium (NiCad) batteries and are ideally suited where remote installation, extreme temperatures and minimal maintainer involvement is expected.

SIEMENS Part Number	Primary Voltage (VAC)	Output Voltage (VDC)	Output Current	Current Limit	Cell Selection Range	Weight
NYK:Z927048610000	8.2 A @ 115 4.1 A @ 230	10.0 - 18.8 (Lead Acid) 6.5 - 19.0 (NiCad)	20 A	21.5 (± 5%)	5-8 (Lead Acid) 15-12 (NiCad)	27.0 lbs (12.25 kgs.)
NYK:Z927048630030	24.6 A @ 115 12.3 A @ 230	22.0 - 42.4 (Lead Acid) 24.7 - 41.0 (NiCad)	30 A	32.0 (± 5%)	11-18 (Lead Acid) 19-26 (NiCad)	60.0 lbs (27.22 kgs.)
NYK:Z927048630040	16.4 A @ 115 8.2 A @ 230	10.0 - 18.9 (Lead Acid) 6.5 - 19.0 (NiCad)	40 A	43.0 (± 5%)	5-8 (Lead Acid) 15-12 (NiCad)	45.0 lbs (20.41 kgs.)
Optional Accessories						
SIEMENS Part Number	Description					
NYK:052619-1	Lagdown brace					
NYK:3250775319	Temperature probe with 12' (3.66 m) cable					
NYK:3250775328	Temperature probe with 15' (4.57 m) cable					

Electromechanical Systems
Electromechanical Power Products

Applicable for all SJ Series Battery Chargers

