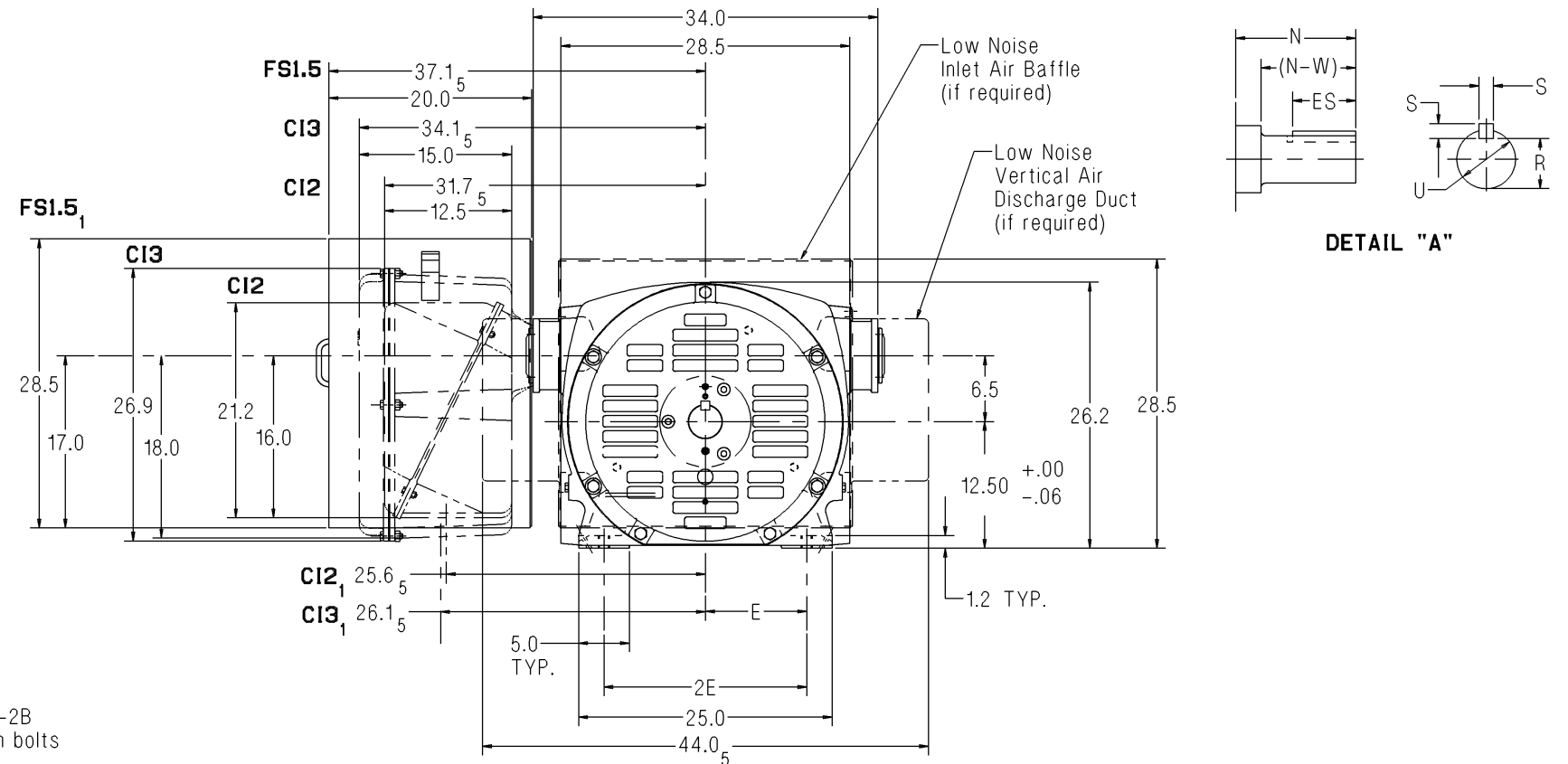
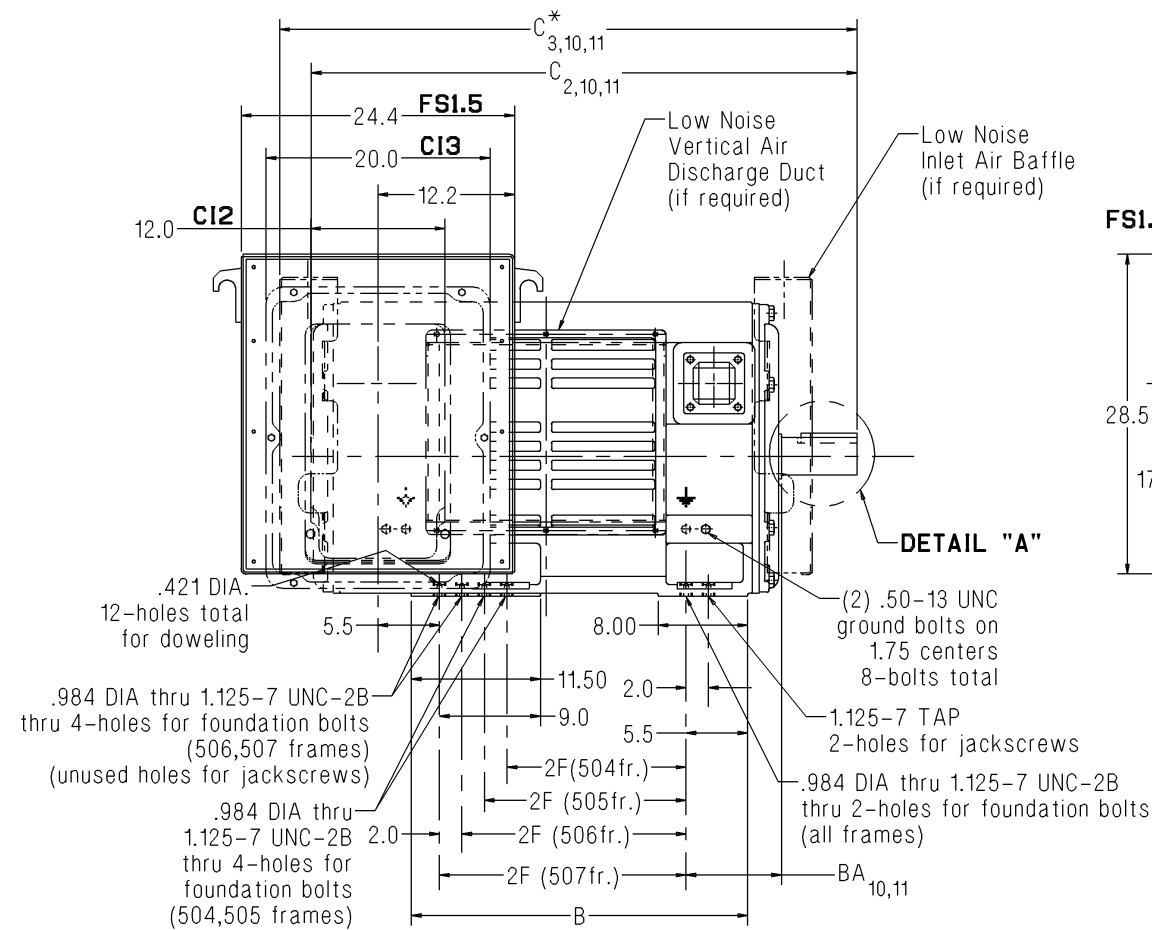


SIEMENS

Dimension Prints for Above NEMA Motors

Type NCG – Custom Horizontal – Open Drip Proof / Weather Protected Type I
Anti-Friction Bearing
Frames 504 / 505 / 506 / 507 – Rotatable Main Conduit Box



Notes:

- Main conduit box may be rotated in steps of 90°. A removable bottom plate is supplied on the FS1.5 conduit box. A 5.0 N.P.T. is supplied on the CI2 and CI3 conduit boxes.
- C = Length of motor from drive end of shaft to end of non-drive end of motor.
- C* = Length of motor from drive end of shaft to edge of low noise inlet air baffle.
- V = (N-W)-0.25" = length of shaft available for coupling.
- Adding a low noise vertical air discharge duct requires a 6.0" spacer for all rotatable conduit boxes. All associated conduit box dimensions will change accordingly.
- 2 Pole machines may rotate in one direction only.
- Shims may be necessary under motor feet for direct connection.
- Short shaft is for direct connection. Long shaft may be either belt drive or direct connection depending upon the bearing installed in the motor.
- Adding a rotating labyrinth seal to the drive end does not change any dimensions.
- Adding a ground brush increases BA, C, and C* by:
2 Pole: 0.50" 4 Pole & Slower: 0.50" Long Shaft 4 Pole & Slower: 0.50"
- Adding a ground brush with rotating labyrinth seal increases BA, C, and C* by:
2 Pole: 0.50" 4 Pole & Slower: 0.50" Long Shaft 4 Pole & Slower: 0.50"

Standard Dimensions in Inches

Shaft	Frame	Speed	B	BA _{10,11}	C _{2,10,11}	C* _{3,10,11}	E	2F	N	(N-W)	R	S	U	V ₄	ES	Approx. Ship Wt. (Lbs)
Short	504S	2 Pole	30.0	8.50	47.2	50.1	10.00	16.0	5.50	5.25	2.275	0.625	2.625	5.00	3.5	3700
Short	504S	4 Pole & Slower	30.0	8.50	48.7	51.6	10.00	16.0	7.00	6.75	2.880	0.875	3.375	6.50	5.0	4000
Short	505S	2 Pole	30.0	8.50	47.2	50.1	10.00	18.0	5.50	5.25	2.275	0.625	2.625	5.00	3.5	3700
Short	505S	4 Pole & Slower	30.0	8.50	48.7	51.6	10.00	18.0	7.00	6.75	2.880	0.875	3.375	6.50	5.0	4000
Short	506S	2 Pole	30.0	8.50	47.2	50.1	10.00	20.0	5.50	5.25	2.275	0.625	2.625	5.00	3.5	3700
Short	506S	4 Pole & Slower	30.0	8.50	48.7	51.6	10.00	20.0	7.00	6.75	2.880	0.875	3.375	6.50	5.0	4000
Short	507S	2 Pole	30.0	8.50	47.2	50.1	10.00	22.0	5.50	5.25	2.275	0.625	2.625	5.00	3.5	3700
Short	507S	4 Pole & Slower	30.0	8.50	48.7	51.6	10.00	22.0	7.00	6.75	2.880	0.875	3.375	6.50	5.0	4000
Long	504	4 Pole & Slower	30.0	8.50	51.4	54.3	10.00	16.0	9.75	9.50	3.436	1.000	4.000	9.25	8.0	4000
Long	505	4 Pole & Slower	30.0	8.50	51.4	54.3	10.00	18.0	9.75	9.50	3.436	1.000	4.000	9.25	8.0	4000
Long	506	4 Pole & Slower	30.0	8.50	51.4	54.3	10.00	20.0	9.75	9.50	3.436	1.000	4.000	9.25	8.0	4000
Long	507	4 Pole & Slower	30.0	8.50	51.4	54.3	10.00	22.0	9.75	9.50	3.436	1.000	4.000	9.25	8.0	4000

Certification: Customer _____ P.O. _____ S.O. _____ Item _____
 HP _____ RPM _____ Frame _____ PH/HZ/Volts 3/_____/_____
 By _____ Date _____ Terminal Box Size CI2 CI3 FS1.5
 Comments _____
 Not for construction, installation or application purposes unless certified.

NCG_500_2plusPL_AF_R0T
Revision 01
01/28/09