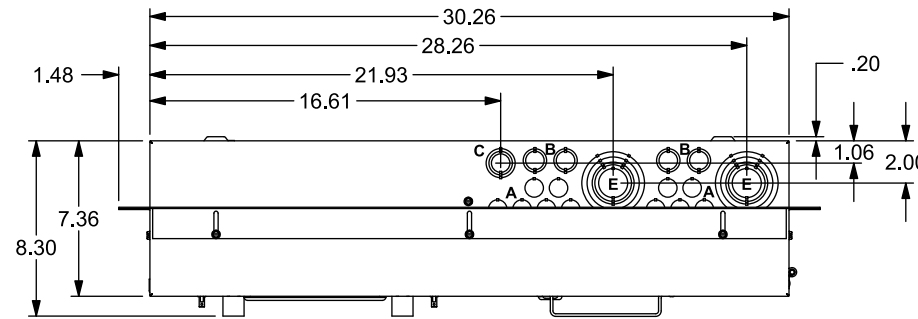


Catalog Number: MC3042B1400FD

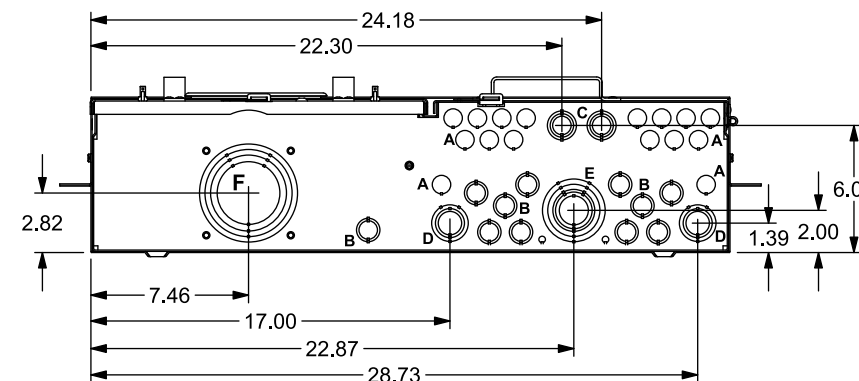
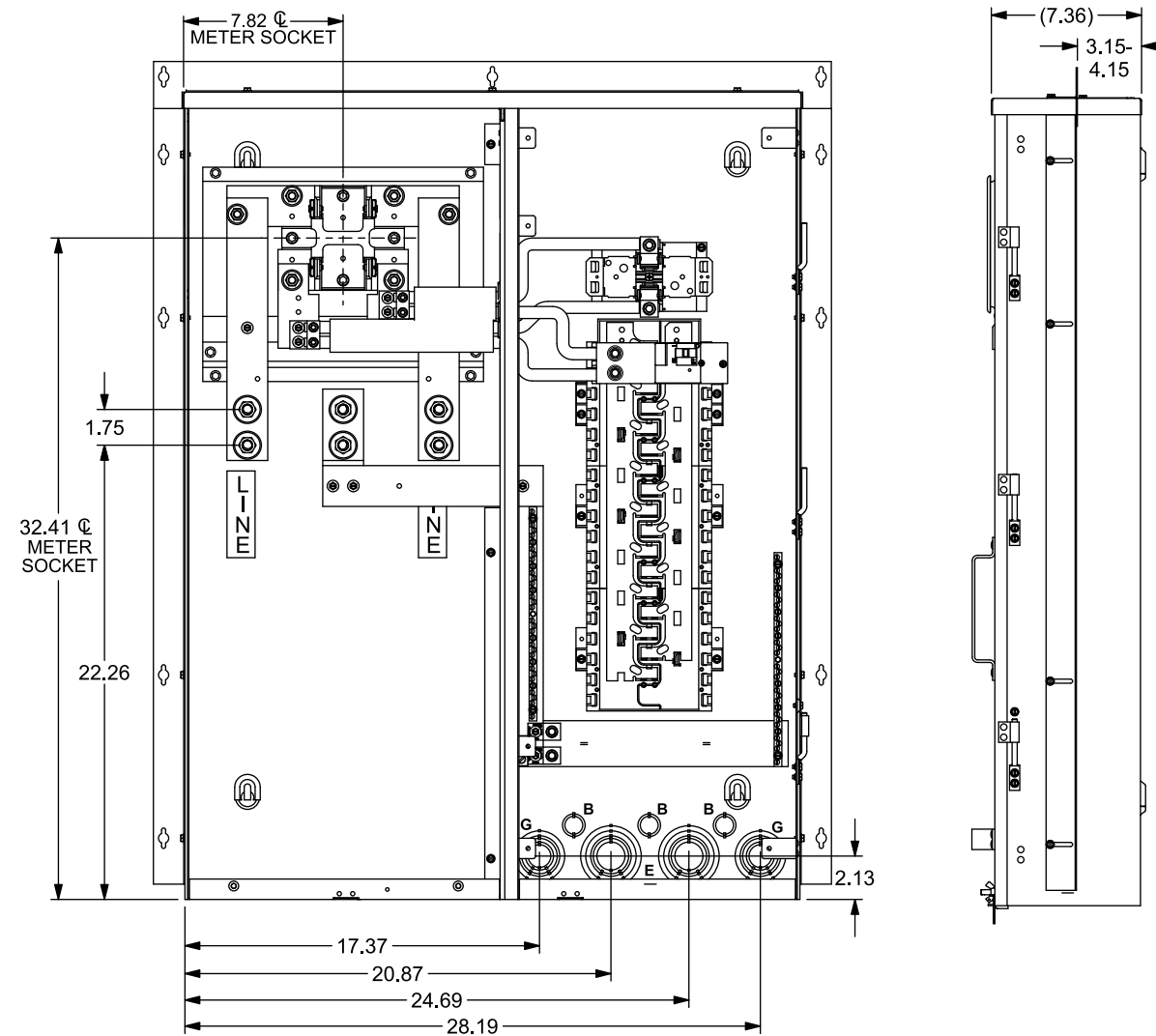
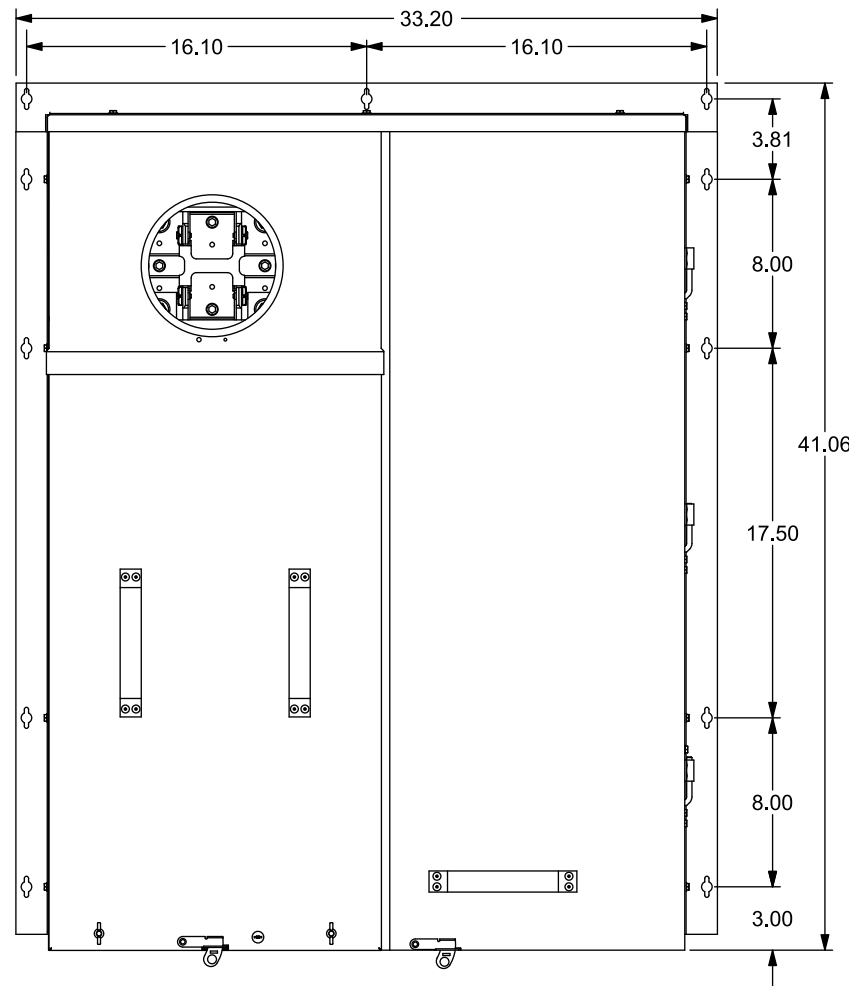


Features and Ratings

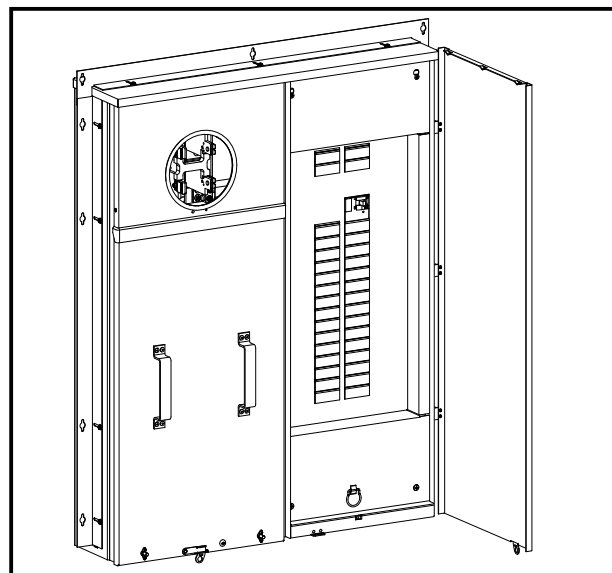
- Outdoor Enclosure (Type 3R)
- Ring Type Meter Cover, No Bypass
- Meter Socket Rating: 320A Continuous, 400A Max.
- Panelboard Rating: 400A Max, 1 Phase, 3 Wire, 120/240V~
- (30) 1" Breaker Spaces, (42) Circuits Max.
- 22,000 AIC Max. Rated (See Wiring Diagram for Details)
- Underground Service Only
- Semi-Flush Mounting
- Complies with EUSERC Dwg. No. 302A



View Shown Without Covers, Doors, Deadfronts



| Designation | Qty | Knockout |
|-------------|-----|--|
| A | 27 | 1/2" DIA. |
| B | 18 | 3/4, 1/2" KO |
| C | 3 | 1, 3/4, 1/2" KO |
| D | 2 | 1-1/4, 1, 3/4" KO |
| E | 5 | 2-1/2, 2, 1-1/2, 1-1/4, 1" KO |
| F | 1 | 3-1/2, 3, 2-1/2" KO w/HD Hub Provision |
| G | 2 | 2, 1-1/2, 1-1/4, 1, 3/4" KO |



Accessories

If hub is required, use Type HD catalog numbers listed below:

| Trade size (in) | Catalog No. |
|-----------------|-------------|
| 2" | EC56854 |
| 2 1/2" | EC56855 |
| 3" | EC56856 |
| 3 1/2" | EC56857 |
| 4" | EC56858 |
| Closure Plate | EC56933S |

| Accessory | Catalog No. |
|--------------------------------|-------------|
| Filler Plate | QN2200RH |
| 200 Amp Main Breaker | QN2150RH |
| 150 Amp Main Breaker | SUK350TA |
| LUG #6-350 kcmil | SUK600TA |
| LUG #2-600 kcmil | SUK1000TA |
| LUG 500-1000 kcmil | SUK1000TA |
| Standby Interlock Kit | EC5BP05 |
| Standby Interlock Kit | EC5BP07 |
| LUG KIT #2-2/0 | ECLK2125 |
| LUG KIT #8-2/0 | ECLK2150 |
| LUG KIT #2-300kcmil (200A MAX) | ECLK2225 |

Torques & Wire Sizes

Load, Neutral and Ground Terminals

| Terminal | Wire Size | Torque |
|--------------------------|-------------------------|-----------|
| A, B, N | | |
| SUK350TA | (2) #6-350 kcmil | 275 lb-in |
| SUK600TA | #2-600 kcmil | 375 lb-in |
| SUK1000TA | 500-1000 kcmil | 500 lb-in |
| N1 | 300 kcmil - #4 | 250 lb-in |
| G1 | 2/0 - #14 | 50 lb-in |
| Branch Breaker Terminals | See Markings on Breaker | |

NEUTRAL/EQUIP GROUND BAR

| | | |
|-----------------|-------------|----------|
| Small Terminals | 10 - 14 AWG | 20 lb-in |
| | 8 AWG | 25 lb-in |
| | 6 AWG | 35 lb-in |
| Large Terminals | 10 - 14 AWG | 35 lb-in |
| | 8 AWG | 40 lb-in |
| | 1/0 - 6 AWG | 45 lb-in |

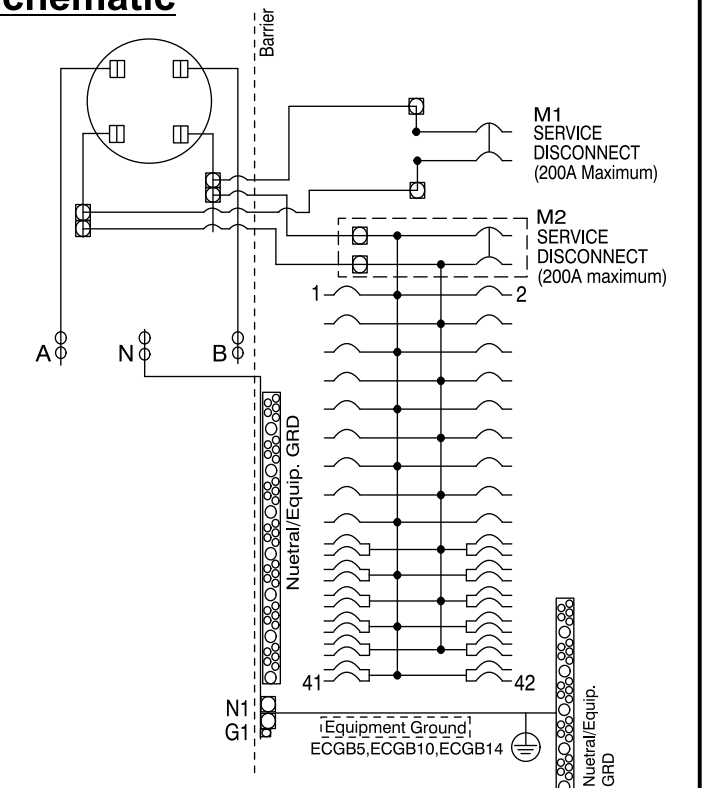
Tightening Torques:

5/16" Nuts(1/2" Drive).....130-140 in-lbs
 3/8" Nuts(9/16" Drive).....240-260 in-lbs
 1/2" Nuts(3/4" Drive)490-540 in-lbs

| Terminal | Wire Size | Torque |
|---------------------------|-----------------------|----------|
| NEUTRAL/EQUIP GND* | | |
| Small Terminals | (2) #12-14 CU | 20 lb-in |
| | (2) #12 AL | 20 lb-in |
| Large Terminals | (2 or 3) #12-14 CU | 35 lb-in |
| | (2 or 3) #10-12 AL | 35 lb-in |
| | (2) #10 CU | 35 lb-in |
| EQUIPMENT GROUND BAR | (3) #10 CU | 50 lb-in |
| | (1, 2 or 3) #14 CU | 20 lb-in |
| | (1 or 2) #10-12 AL/CU | 20 lb-in |
| ECGB Series | #8 AL/CU | 25 lb-in |
| | #6 - 4 AL/CU | 35 lb-in |

*Only Equipment Ground Terminals may use more than one wire per terminal.

Schematic



© 2019 Copyright Siemens Industry, Inc.

SIEMENS
Siemens Industry, Inc.

Combination Metering

Description: **400A Max, 1 Ph, 30Pos/42 Ckts Max, Outdoor, UG, Semi-Flush Mount, No Bypass**

KAM 7/23/19 Fam . DO NOT SCALE DRAWING Dwg. No. **MC3042B1400FD**