

	U.S. Cat. No.	Euro Order No.
Item:	RHVF12	3VL93003JD01
	RHVFBM	3VL93003JE01
	RHVMS __	3VL96003JJ __
	RHVM ___	3VL96003J ___





Door Mount Rotary Handle Operator

Accionamiento Giratorio de Montaje en la Puerta

Mise en marche giratoire d'assemblage dans la porte

For Use With Frame DG, FG
Para Usar Con Caja Base DG, FG

Installation Instructions / Instructivo de Instalación

	 Danger	 Peligro	 Danger!
	Hazardous Voltage Will cause death or serious injury	Tensión peligrosa. Puede causar la muerte o lesiones graves.	Tension dangereuse. Danger of mort ou risque de blessures graves.
	Turn off and lock out all power supplying this device before working on this device. Replace all covers before power supplying this device is turned on.	Desenergice totalmente antes de instalar o darle servicio. Reemplace todas las barreras y cubiertas antes de energizar el interruptor.	Couper l'alimentation de l'appareil et barrer avant de travailler. Remplacez tous les couverts avant que l'alprovisionnement de pouvoir soit alimenté.

Use only with Siemens certified Components.

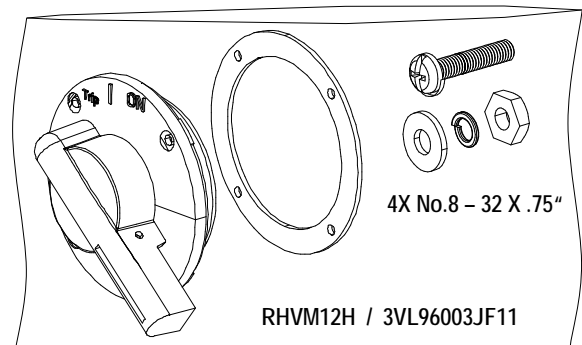
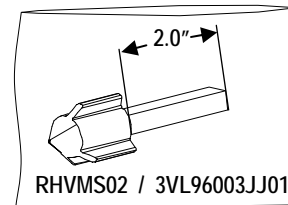
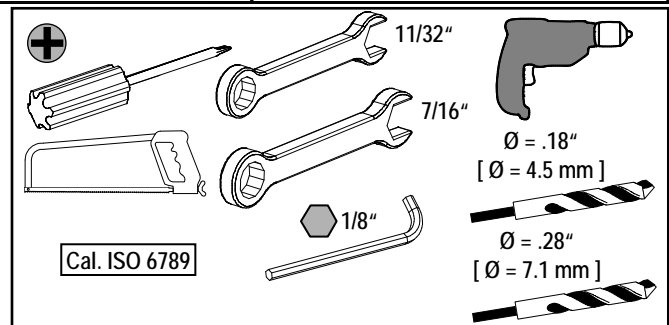
Utilizar únicamente con componentes certificados de Siemens.

A utiliser uniquement avec les composants certifiés Siemens.

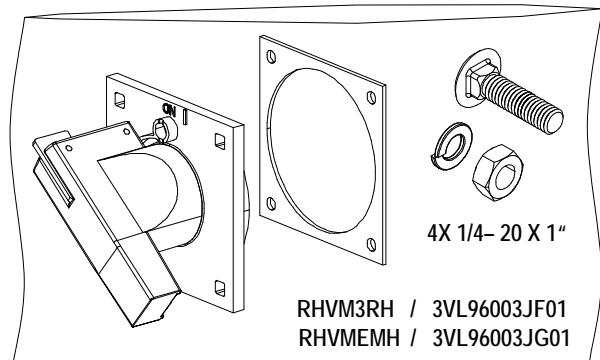
NOTE - These instructions do not purport to cover all details or variations in equipment, or to provide for every possible contingency to be met in connection with installation, operation or maintenance. Should further information be desired or should particular problems arise, which are not covered sufficiently for the purchaser's purposes, the matter should be referred to the local Siemens sales office. The contents of this instruction manual shall not become part of or modify any prior or existing agreement, commitment or relationship. The sales contract contains the entire obligation of Siemens. The warranty contained in the contract between the parties is the sole warranty of Siemens. Any statements contained herein do not create new warranties or modify the existing warranty.

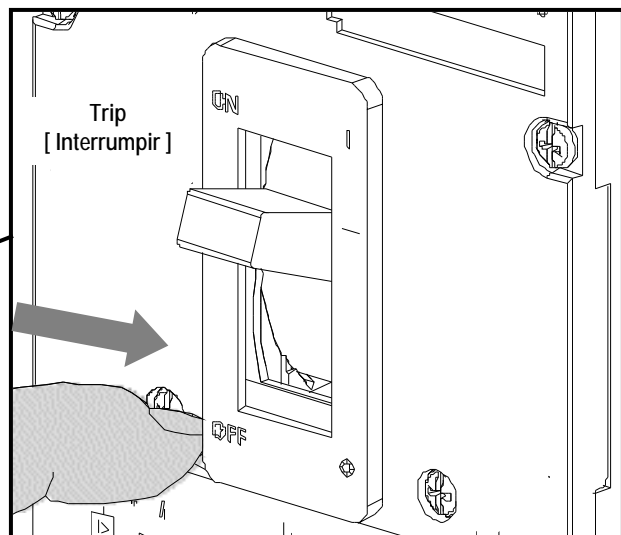
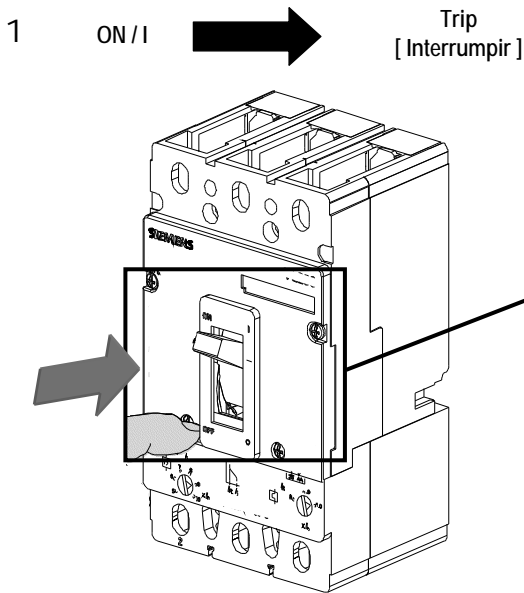
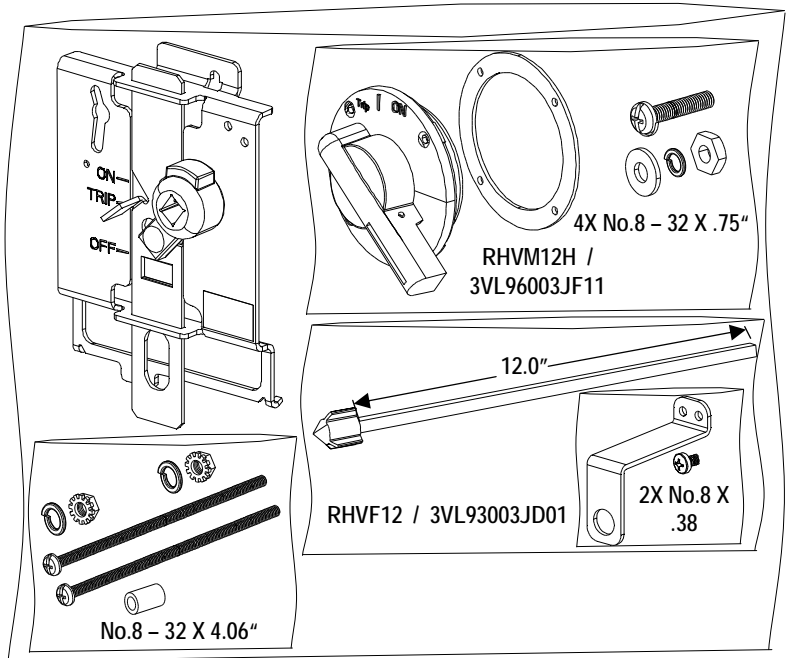
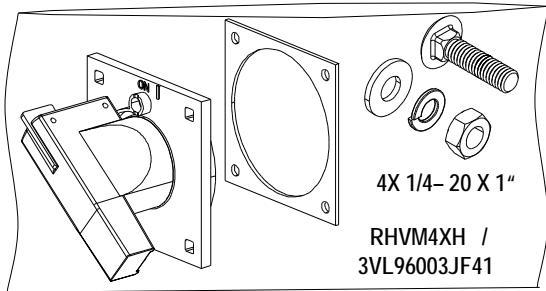
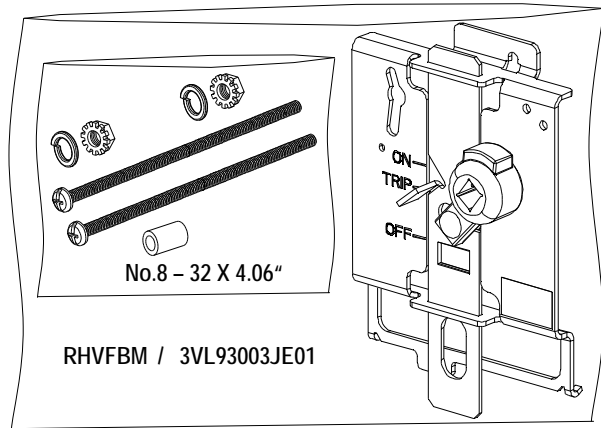
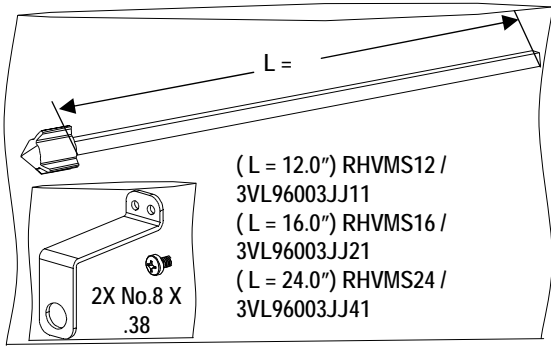
Trademarks - Unless otherwise noted, all names identified by ® are registered trademarks of Siemens AG or Siemens Industry, Inc.

The remaining trademarks in this publication may be trademarks whose use by third parties for their own purposes could violate the rights of the owner.



RHVM12H	Suitable For Type 1 and 12 enclosures [Apto par tipo 1 and 12 caja]
RHVM3RH	Suitable For Type 1, 2, 3, 3R, 12 and 13 enclosures [Apto par tipo 1, 2, 3, 3R, 12, and 13 caja]
RHVMEMH	Suitable For Type 1, 2, 3, 3R, 12 and 13 enclosures [Apto par tipo 1, 2, 3, 3R, 12, and 13 caja]
RHVM4XH	Suitable For Type 1, 2, 3, 3R, 4, 4X, 12 and 13 enclosures [Apto par tipo 1, 2, 3, 3R, 4, 4X, 12 and 13 caja]
RHVF12	Suitable For Type 1 and 12 enclosures [Apto par tipo 1 and 12 caja]







Danger

Hazardous Voltage
Will cause death or serious injury

Turn off and lock out all power supplying this device before working on this device.
Replace all covers before power supplying this device is turned on.

Peligro

Tensión peligrosa.
Puede causar la muerte o lesiones graves.

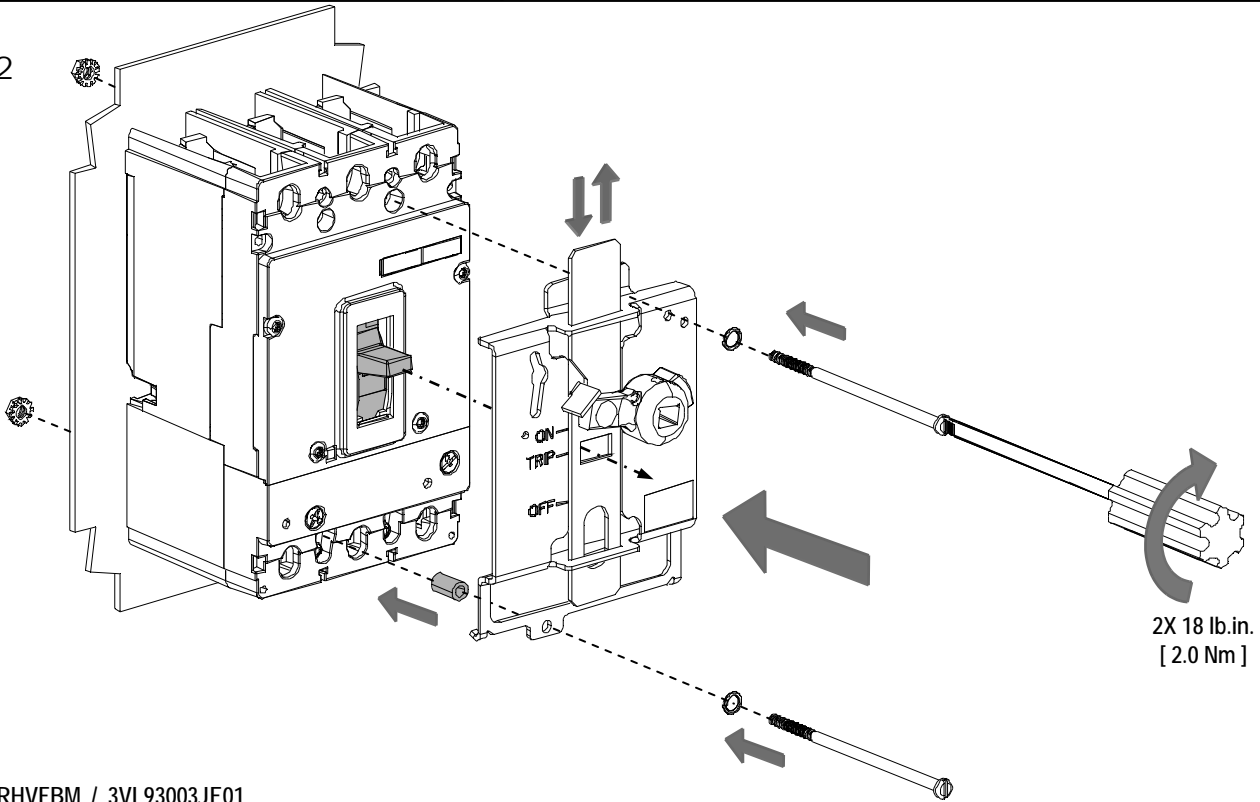
Desenergice totalmente antes de instalar o darle servicio.
Reemplace todas las barreras y cubiertas antes de energizar el interruptor.

Danger!

Tension dangereuse.
Danger de mort ou risque de blessures graves.

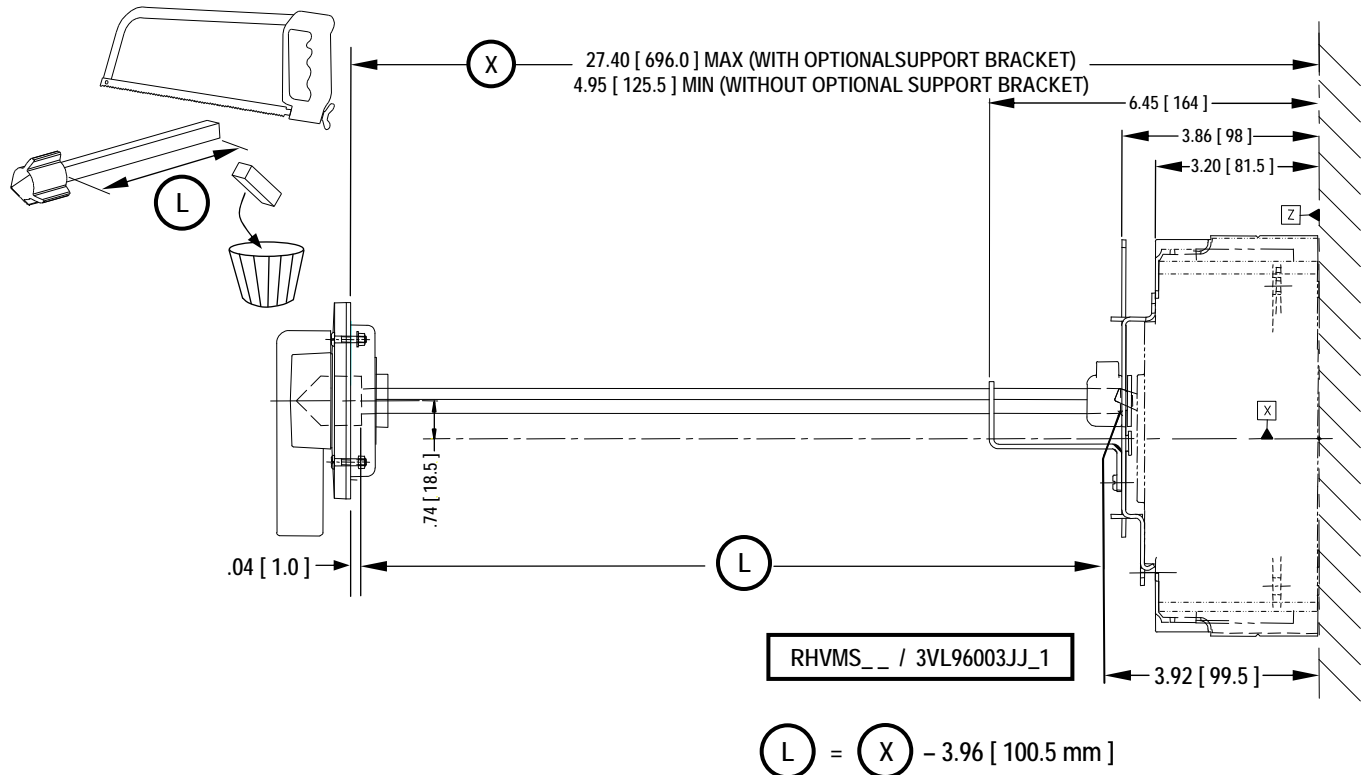
Couper l'alimentation de l'appareil et barrer avant de travailler.
Remplacez tous les couverts avant que l'alimentation de pouvoir soit alimenté.

2

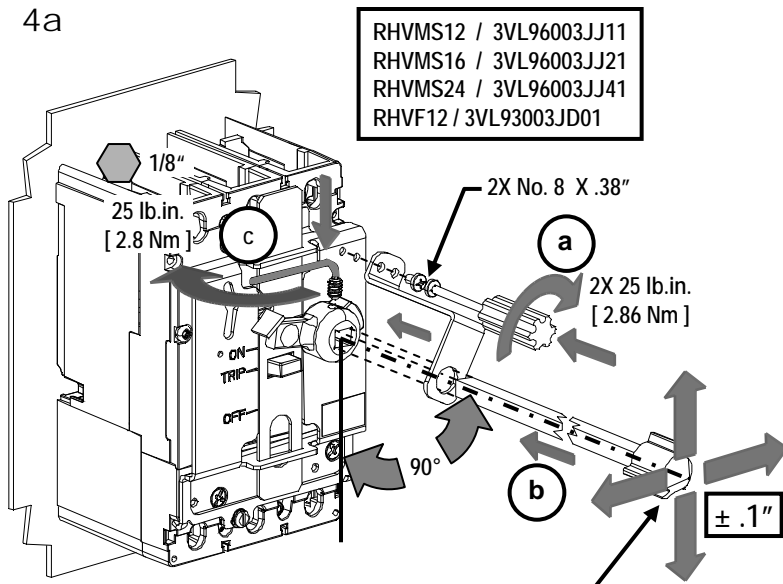


RHVFBM / 3VL93003JE01
RHVF12 / 3VL93003JD01

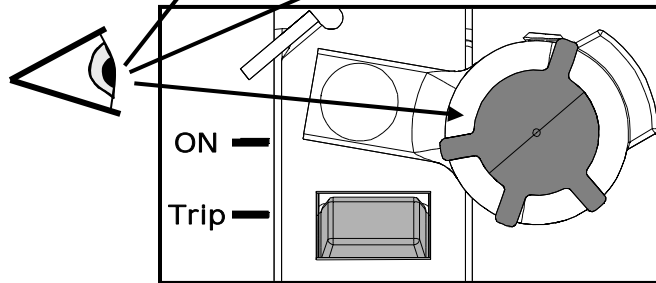
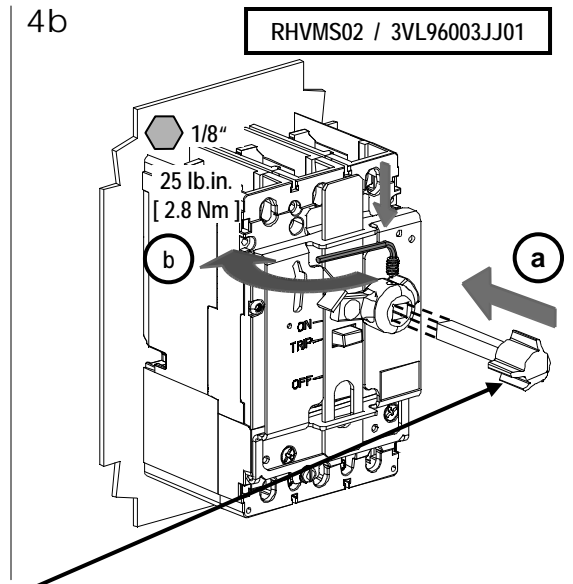
3



4a

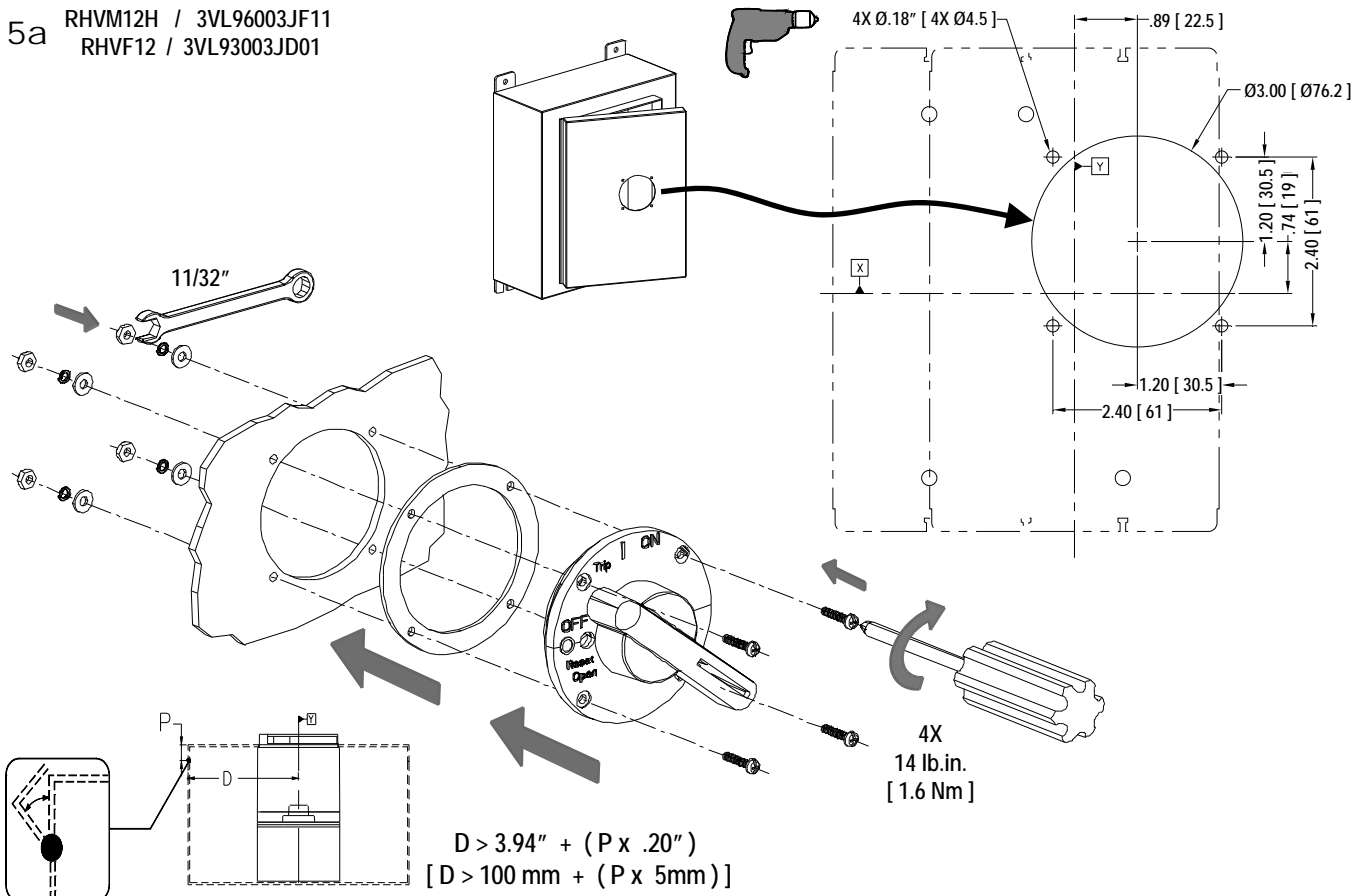


4b



5a

RHVM12H / 3VL96003JF11
RHVF12 / 3VL93003JD01





Danger

Hazardous Voltage
Will cause death or serious injury



Turn off and lock out all power supplying this device before working on this device.
Replace all covers before power supplying this device is turned on.

Peligro

Tensión peligrosa.
Puede causar la muerte o lesiones graves.

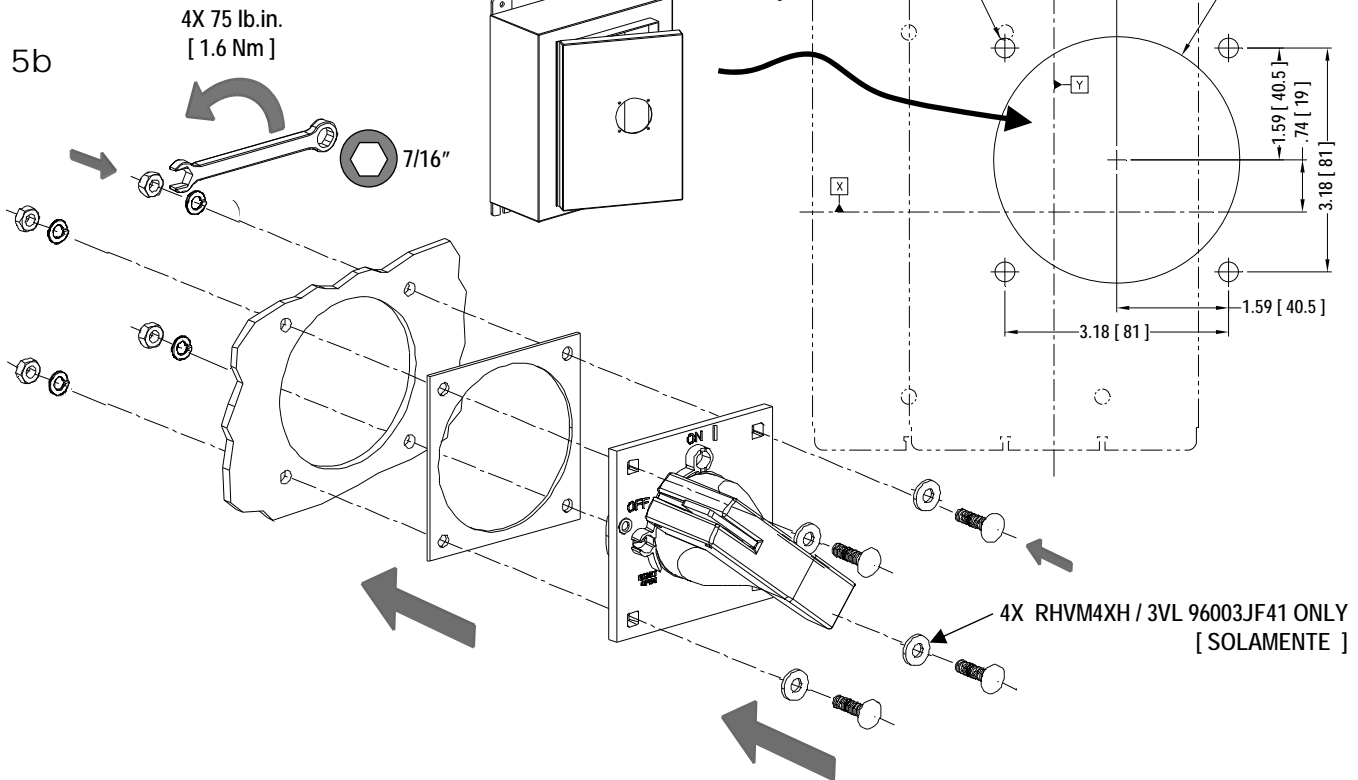
Desenergice totalmente antes de instalar o darle servicio.
Reemplace todas las barreras y cubiertas antes de energizar el interruptor.

Danger!

Tension dangereuse.
Danger de mort ou risque de blessures graves.

Couper l'alimentation de l'appareil et barrer avant de travailler.
Remplacez tous les couverts avant que l'approvisionnement de pouvoir soit alimenté.

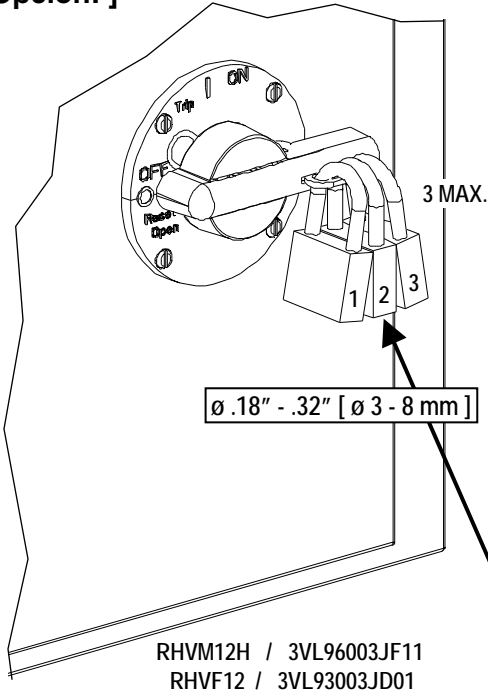
RHVM3RH / 3VL96003JF01
RHVM4XH / 3VL96003JF41
RHVMEMH / 3VL96003JG01



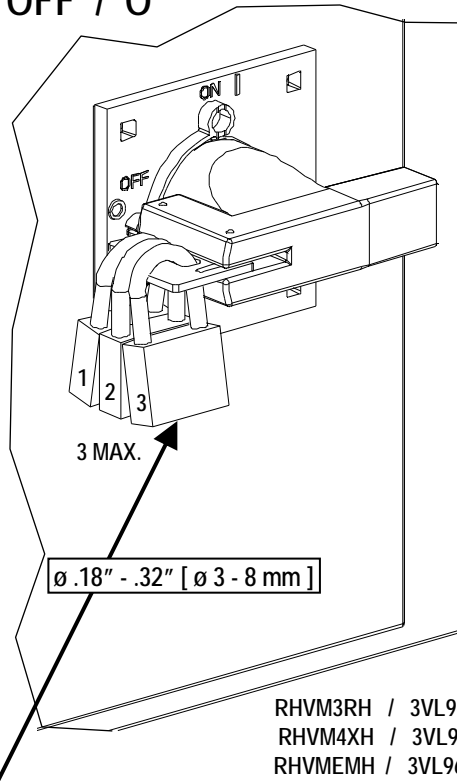
Test: [Prueba:]			Result [Resultado]		Step [Paso]
			Open [Abierta]	Closed [Cerrados]	
6					
6a	OFF / 0 Reset [Restablecer]	5 lbf [22 N]			6b
					3
6b	ON / I	5 lbf [22 N]			Finished / Ready [Terminado / Listo]
					3

Option:
[Opción:]

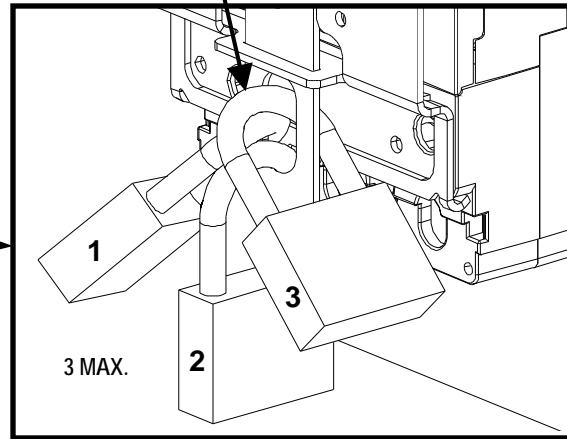
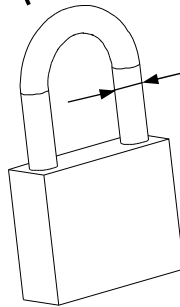
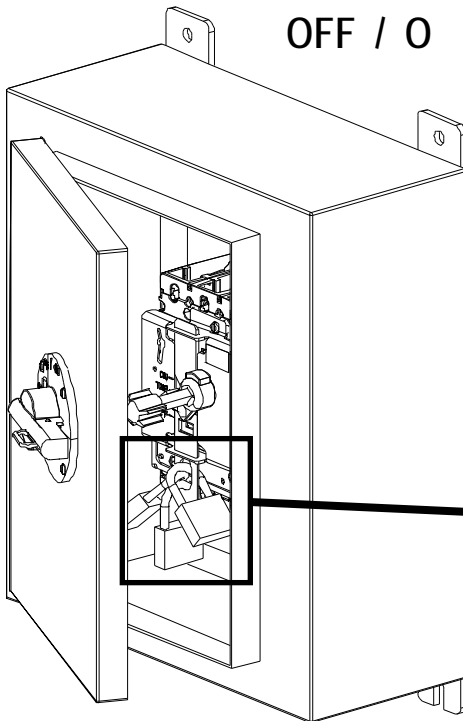
OFF / 0



OFF / 0



OFF / 0



For Support in Europe refer to :

Bestell-Nr. / Order No.: 3ZX1012-0VL68-1CA1

Internet: www.siemens.de/lowvoltage/technical-assistance

GWA 4NEB 179 6831-10 DS 04

Technical Support:

Toll Free: 1-800-241-4453

Internet: www.usa.siemens.com/powerdistribution

Subject to change without prior notice
Siemens Industry, Inc. , Norcross, GA 30092 U.S.A.

© Siemens Industry Inc. 2010